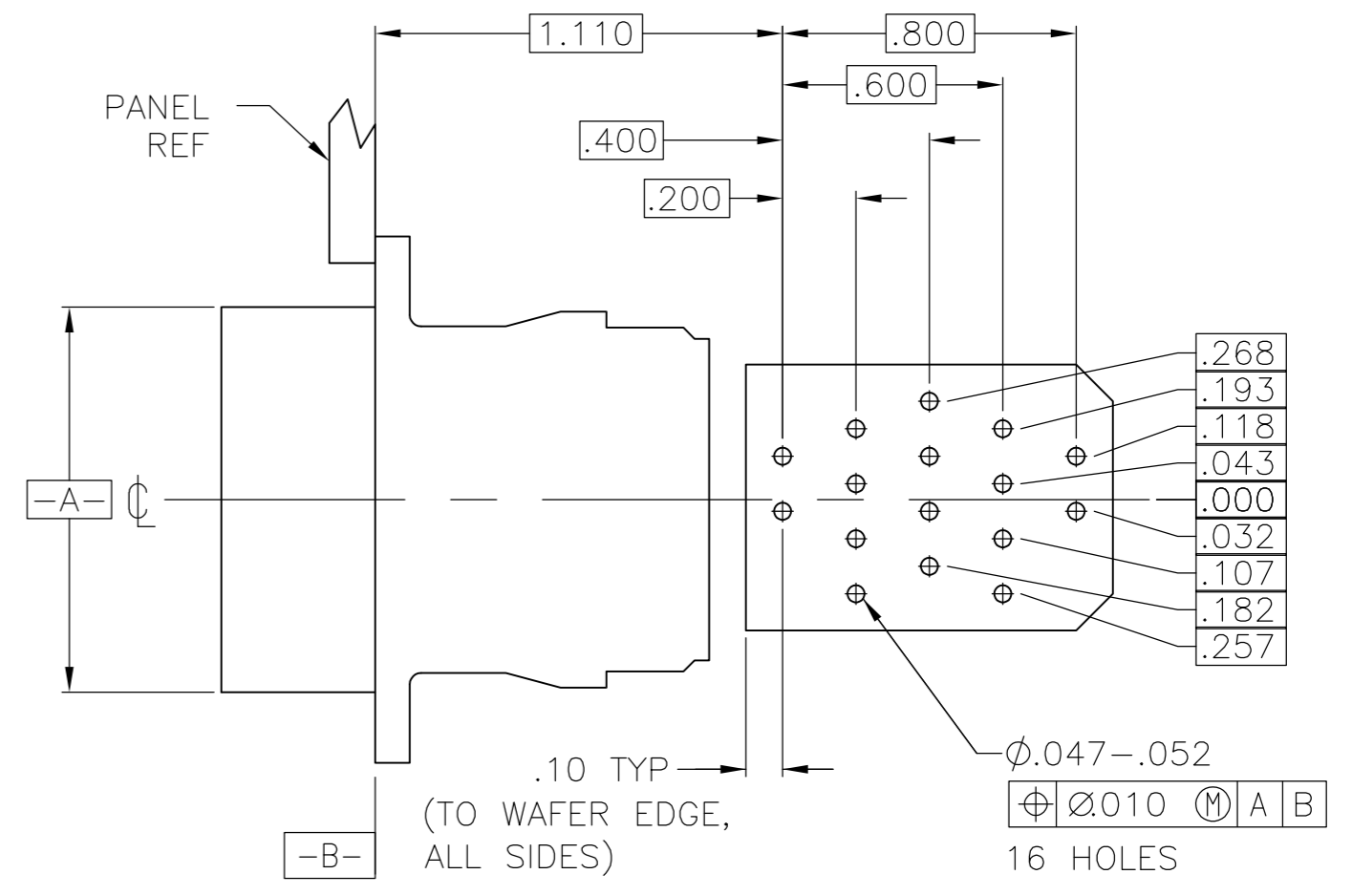
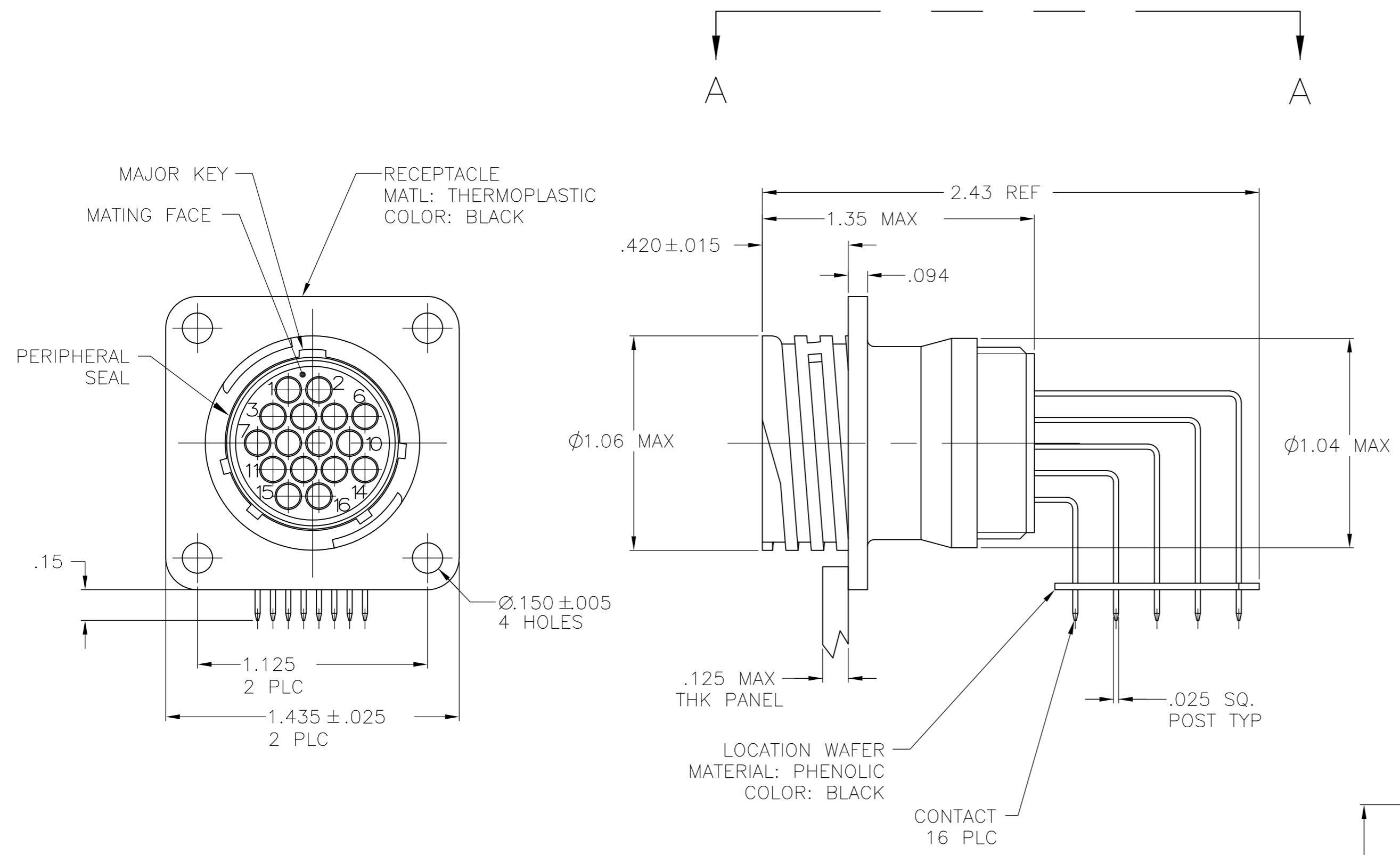
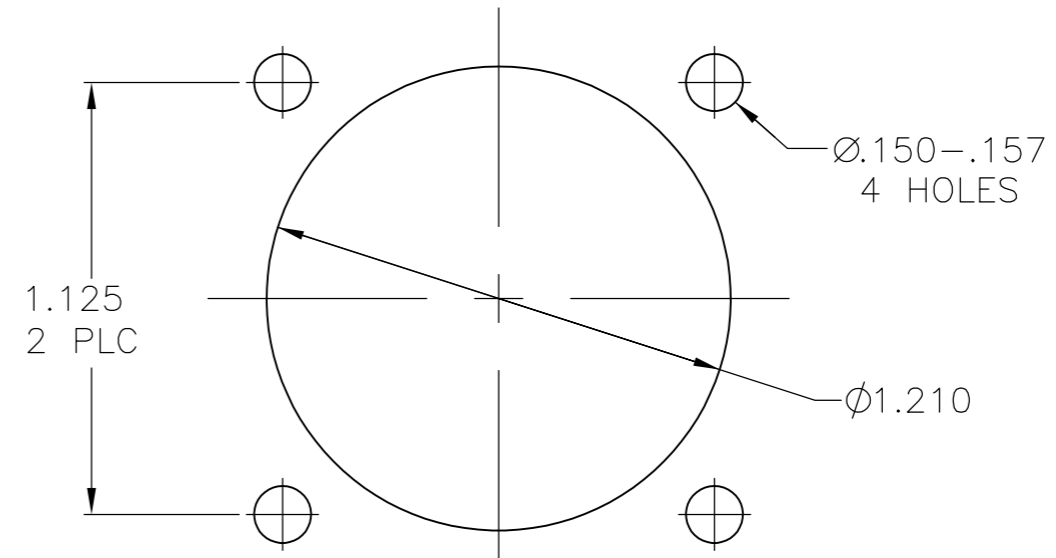


THIS DRAWING IS UNPUBLISHED. RELEASED FOR PUBLICATION  
 © COPYRIGHT - By - ALL RIGHTS RESERVED.

REVISIONS					
P	LTR	DESCRIPTION	DATE	DWN	APVD
	C3	REVISED PER ECO-16-004800	08SEP2016	NK	MZ
	D	REVISED PER ECO-17-004657	05APR2017	RS	MZ



VIEW A-A  
 RECOMMENDED PC BOARD LAYOUT



RECOMMENDED  
 PANEL CUTOUT

- 1 CONTACT CAVITIES IDENTIFIED BY CHARACTERS ON FRONT AND REAR FACES OF CONNECTOR.
- 2 #6 FASTENER RECOMMENDED FOR MOUNTING.
- 3 CONTACT BODY: .000030 MIN GOLD FOR A LENGTH OF .250 MIN FROM MATING END, WITH REMAINDER TO BE GOLD FLASH, BOTH OVER .000050 MIN NICKEL.  
 CONTACT POST: .000100 MIN TIN-LEAD OVER .000100 MIN COPPER.
- 4 PC BOARD HOLE PATTERN IS DEFINED RELATIVE TO CONNECTOR C.L. AND PANEL MOUNTING FACE INDICATED.
- 5 CONTACT BODY: .000030 MIN GOLD FOR A LENGTH OF .250 MIN FROM MATING END, WITH REMAINDER TO BE GOLD FLASH, BOTH OVER .000050 MIN NICKEL.  
 CONTACT POST: .000100 MIN TIN OVER .000100 MIN COPPER.
- 6 CONTACT BODY AND POST PLATED TIN OVER NICKEL

OBsolete	YES	6	1-796404-2
	NO	5	1-796404-1
OBsolete	YES	3	-796404-2
	NO	3	796404-1
	PERIPHERAL SEAL	CONTACT FINISH	PART NUMBER

THIS DRAWING IS A CONTROLLED DOCUMENT.		DWN	4-5-00																							
		CHK	4-6-00																							
		APVD	4-6-00																							
		PRODUCT SPEC																								
DIMENSIONS: INCHES		TOLERANCES UNLESS OTHERWISE SPECIFIED:		NAME																						
<table border="1"> <tr><td>0 PLC</td><td>±</td><td>-</td></tr> <tr><td>1 PLC</td><td>±</td><td>-</td></tr> <tr><td>2 PLC</td><td>±</td><td>.03</td></tr> <tr><td>3 PLC</td><td>±</td><td>.010</td></tr> <tr><td>4 PLC</td><td>±</td><td>-</td></tr> <tr><td>ANGLES</td><td>±</td><td>-</td></tr> <tr><td>FINISH</td><td></td><td></td></tr> </table>		0 PLC	±	-	1 PLC	±	-	2 PLC	±	.03	3 PLC	±	.010	4 PLC	±	-	ANGLES	±	-	FINISH			APPLICATION SPEC		RECEPTACLE ASSY, POSTED, RT ANGLE, STD SEX, SIZE 17-16, SERIES 1, CPC	
0 PLC	±	-																								
1 PLC	±	-																								
2 PLC	±	.03																								
3 PLC	±	.010																								
4 PLC	±	-																								
ANGLES	±	-																								
FINISH																										
MATERIAL		WEIGHT		SIZE																						
		-		CAGE CODE																						
		-		DRAWING NO																						
		-		A2 00779																						
		CUSTOMER DRAWING		RESTRICTED TO																						
				-																						
		SCALE		SHEET																						
		2:1		1 of 1																						
				REV																						
				D																						

单击下面可查看定价，库存，交付和生命周期等信息

[>>TE Connectivity\(泰科\)](#)