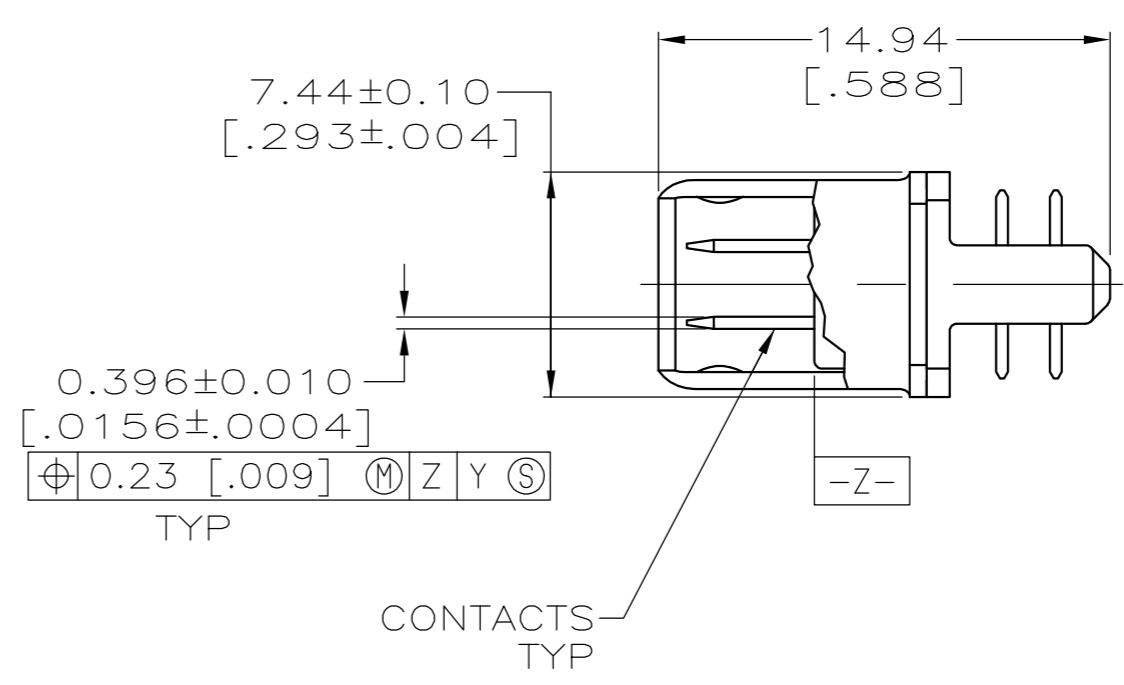
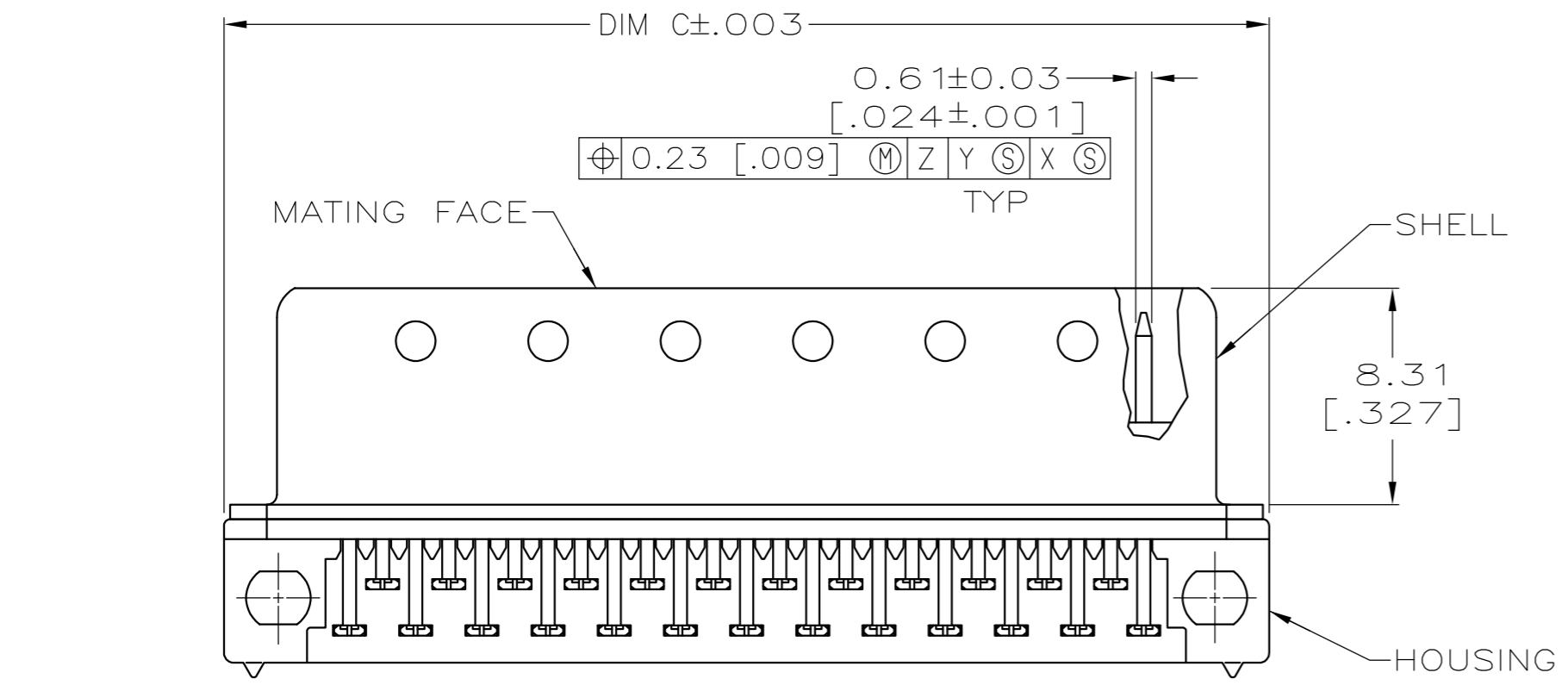
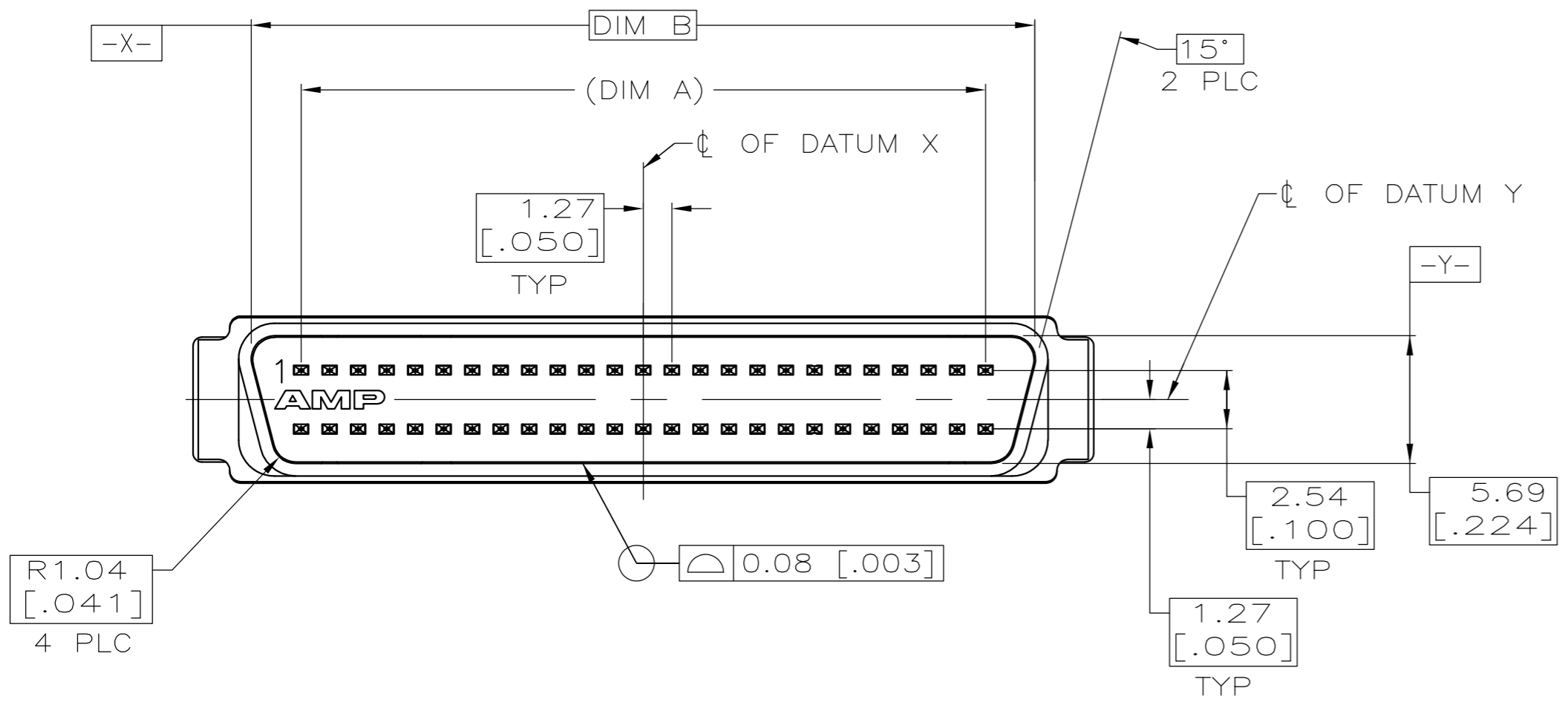


LOC	DIST	REVISIONS					
GP	00	P	LTR	DESCRIPTION	DATE	DWN	APVD
		C		REVISED PER ECO-11-001216	08FEB2011	CJV	SLB



- 1 MATERIAL
 HOUSING: NYLON OR POLYESTER, UL 94V-0 RATED, COLOR BLACK.
 CONTACTS: PHOSPHOR BRONZE.
 SHELL: CARBON STEEL.
- 2 FINISH
 CONTACTS: 0.76µm [.000030] MIN GOLD PLATE OR GOLD FLASH OVER PALLADIUM NICKEL PLATE, 0.76µm [.000030] MIN TOTAL FOR A LENGTH OF 3.35 [.132] MIN FROM MATING END, 3.00µm [.000118] MIN TIN ON OPPOSITE END, ALL OVER 1.27µm [.000050] MIN NICKEL ON ENTIRE CONTACT.
 SHELL: 0.00025 [.000010] MIN TIN-NICKEL OVER 0.00381 [.000150] MIN NICKEL OVER 0.00254 [.000100] MIN COPPER.
3. RECOMMENDED WIRE: 28 AWG OR 30 AWG, SOLID OR 7 STRAND, PVC INSULATION WITH A 0.74-0.91 [.029-.036] INSULATION DIAMETER.
- 4 OBSOLETE

4	31.22 [1.229]	25.96 [1.022]	21.59 [.850]	36	5749110-4
	24.87 [.979]	19.61 [.772]	15.24 [.600]	26	5749110-2
	40.11 [1.579]	34.85 [1.372]	30.48 [1.200]	50	5749110-1
	DIM C	DIM B	DIM A	NO OF POS	PART NUMBER

THIS DRAWING IS A CONTROLLED DOCUMENT.		DWN	J.GERACE	11APR05	Tyco Electronics Corporation Harrisburg, PA 17105-3608
DIMENSIONS: mm [INCHES]		CHK	S.SHUEY	11APR05	
TOLERANCES UNLESS OTHERWISE SPECIFIED:		APVD	M.WALMSLEY	11APR05	
0 PLC ± - 1 PLC ± - 2 PLC ± 0.13 [.005] 3 PLC ± - 4 PLC ± - ANGLES ± -		PRODUCT SPEC	108-1228	APPLICATION SPEC	
MATERIAL	1	FINISH	2	WEIGHT	-
CUSTOMER DRAWING				SCALE	4:1
				SHEET	1 OF 1
				REV	C

单击下面可查看定价，库存，交付和生命周期等信息

[>>TE Connectivity\(泰科\)](#)