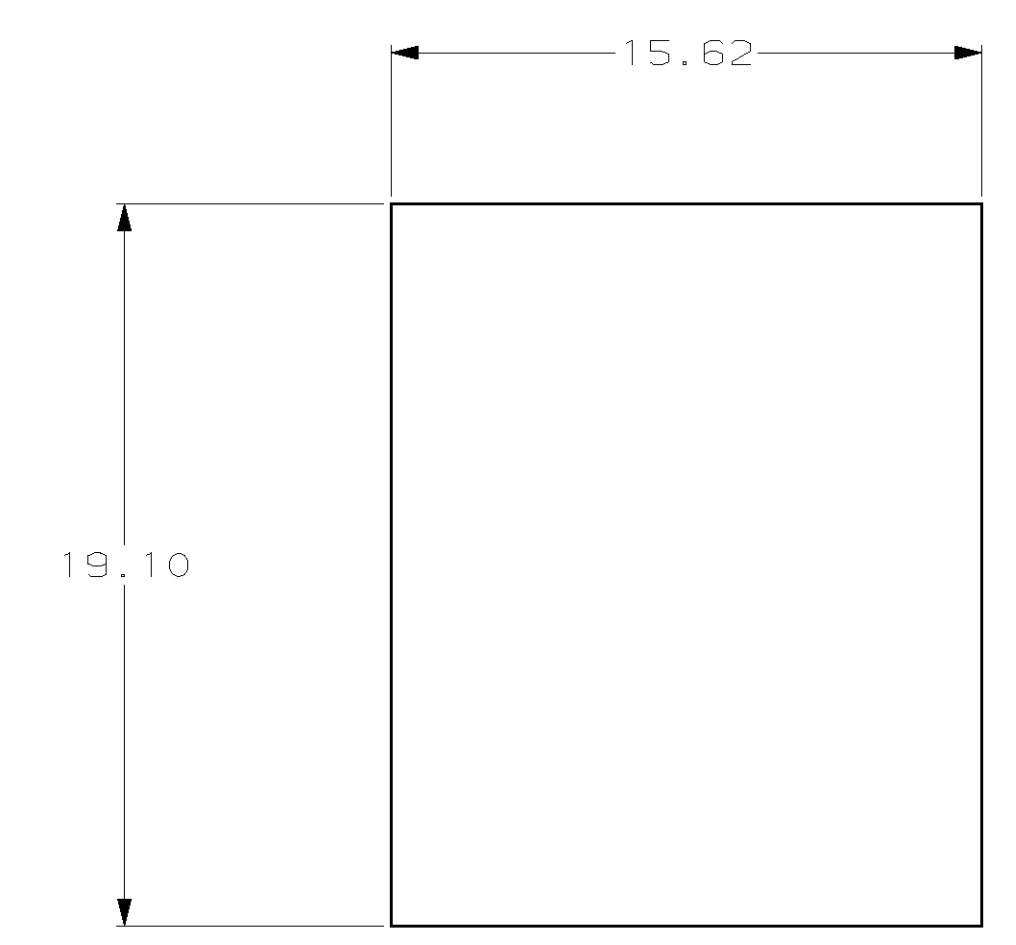
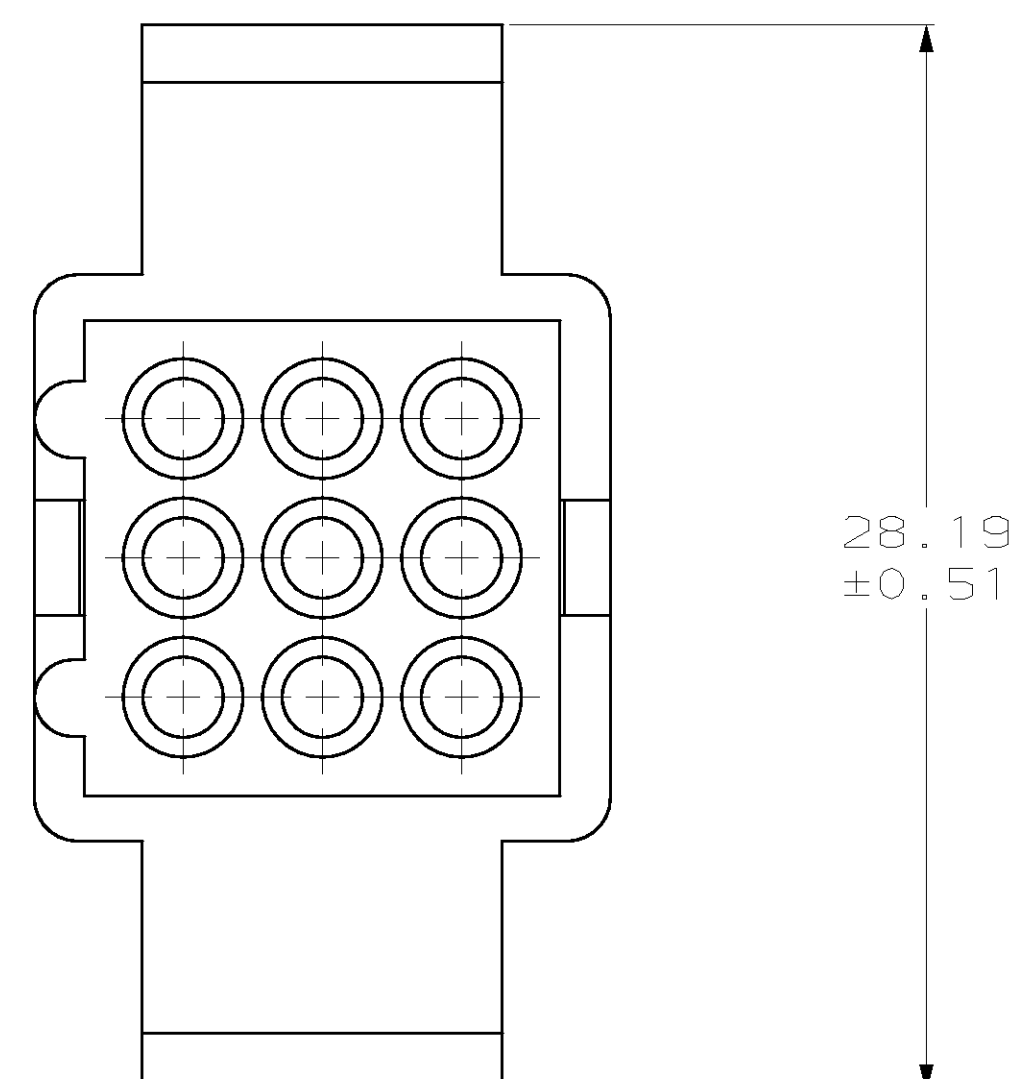
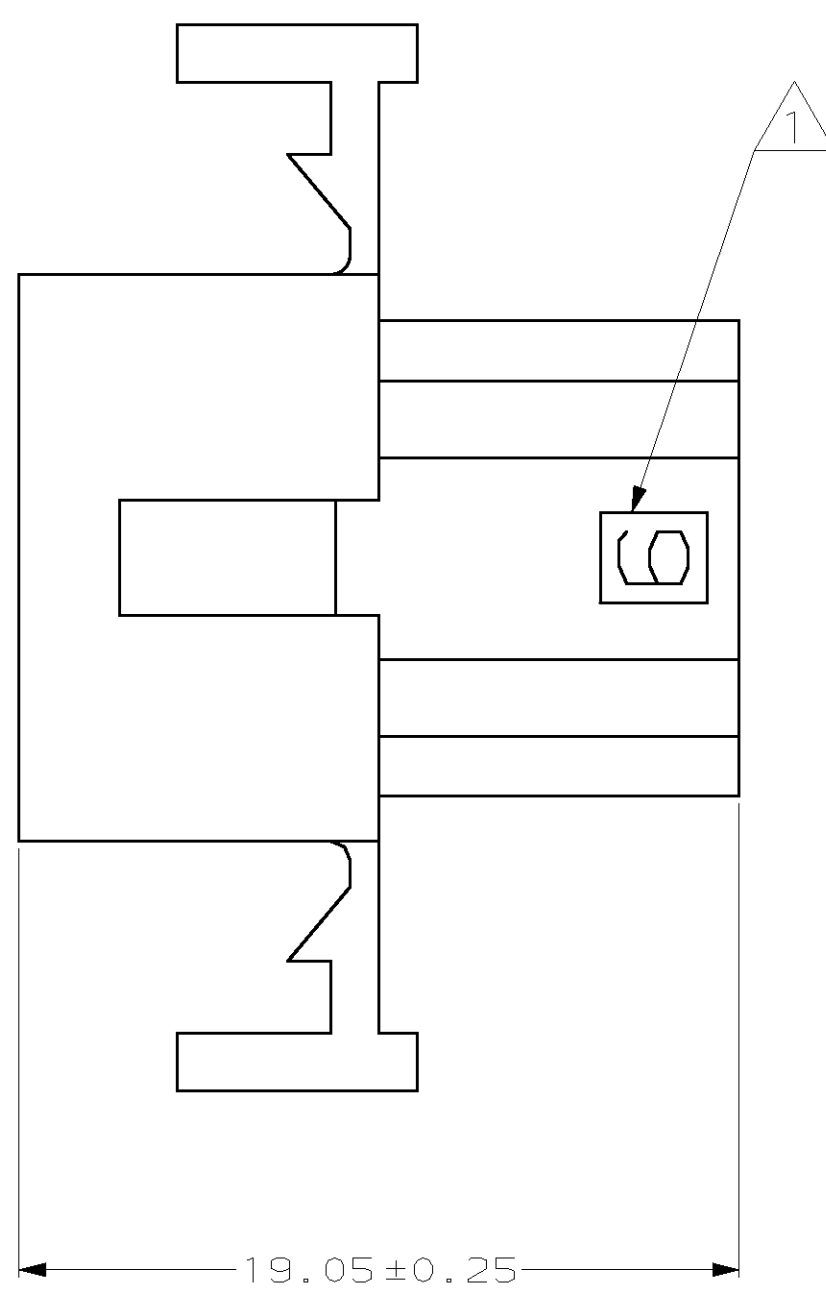
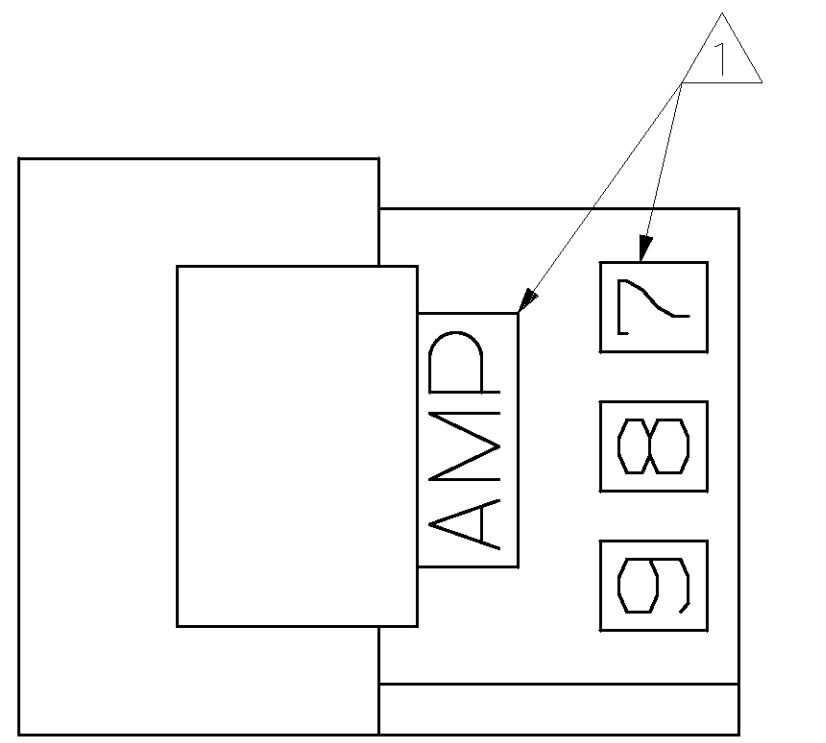
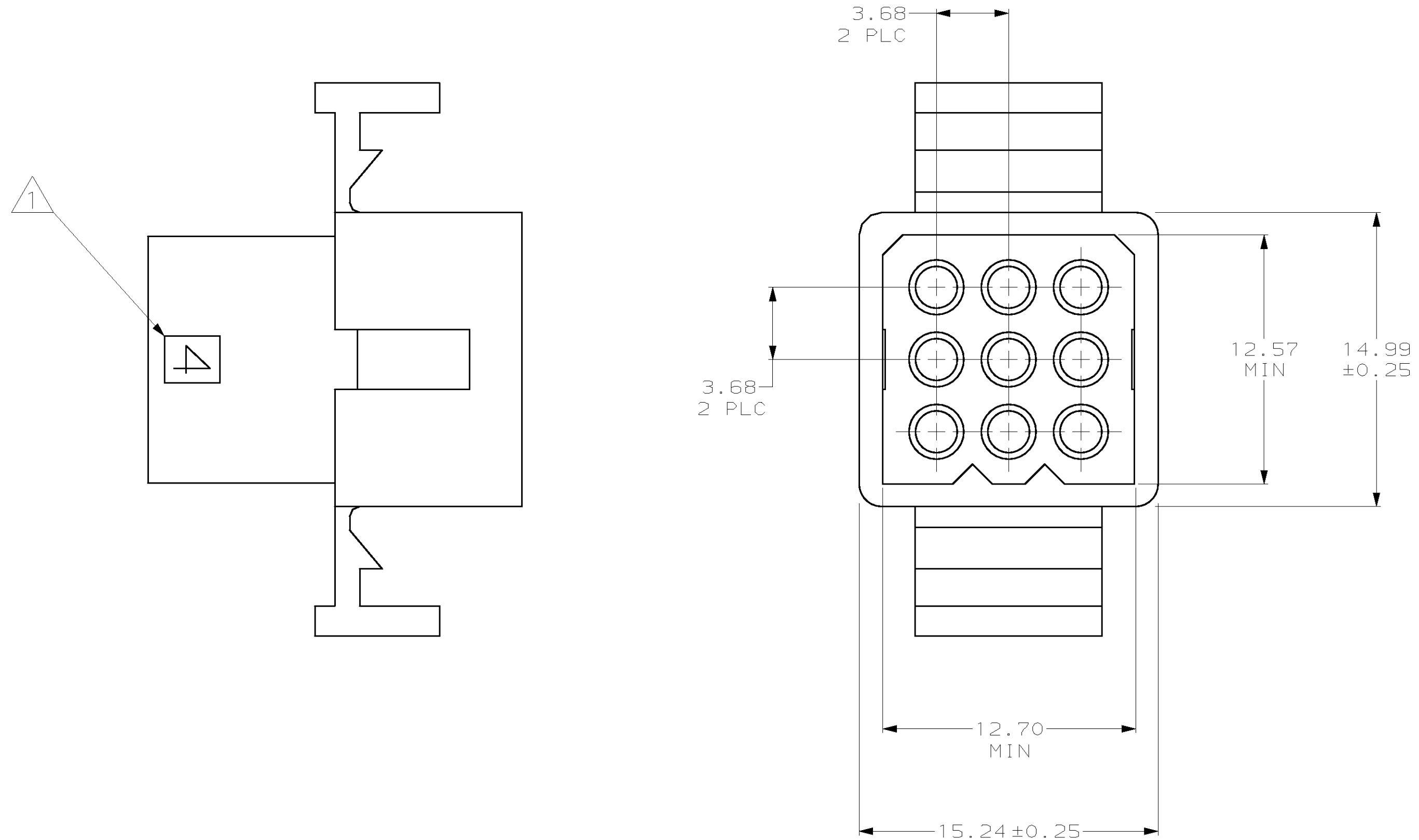


LOC	QTY	REV	DATE	BY	APPV
CM	53				

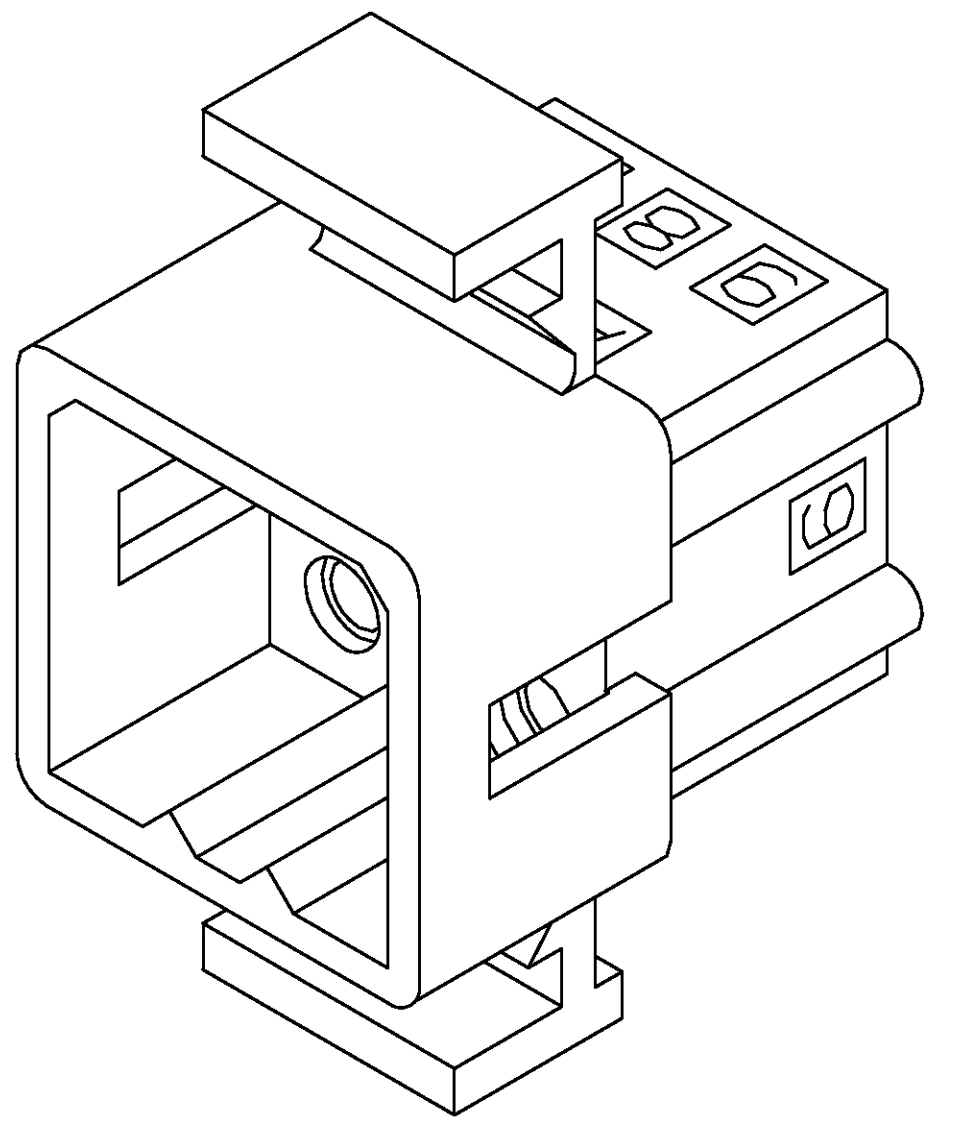
  

REVISIONS					
REV	DESCRIPTION	DATE	BY	APPV	
C	REV & REDWN PER EC 0L30-0214-97	10-20-97	KW	RS	

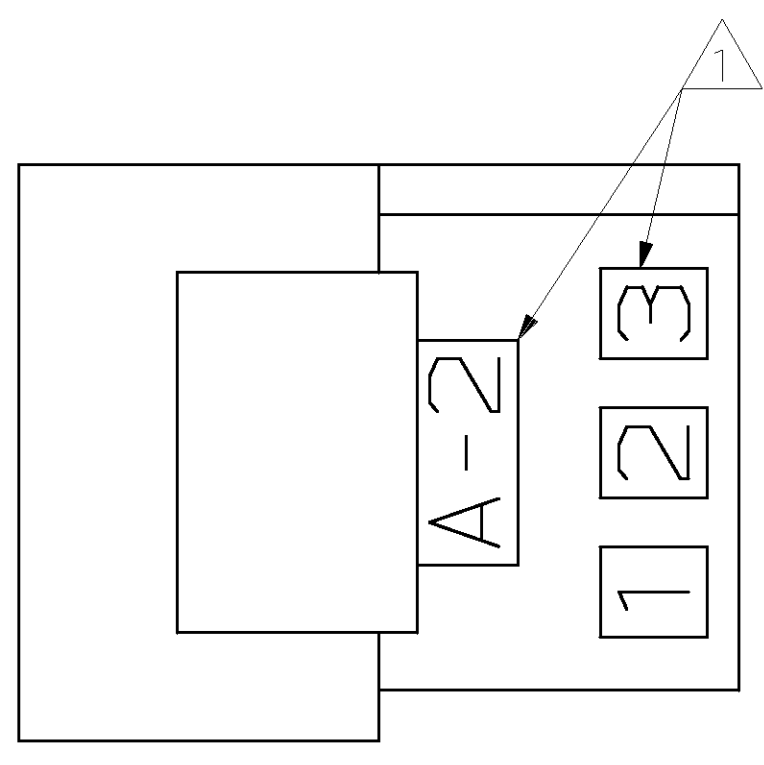
AMP LOGO AND CIRCUIT NUMBERS LOCATED APPROXIMATELY AS SHOWN.



RECOMMENDED CUT OUT FOR 1.52 MAX THICK PANEL



3-DIMENSIONAL MODEL NTS



MM	IN	MM	IN
12.57	.495	28.19	1.110
3.68	.145	19.10	.752
1.58	.062	19.05	.750
1.52	.060	15.62	.615
0.51	.020	15.24	.600
0.25	.010	14.99	.590
0.13	.005	12.70	.500
MM	IN	MM	IN

CONVERSION TABLE

770426-1  
PART NUMBER

THIS DRAWING IS A CONTROLLED DOCUMENT.

DIMENSIONS:	TOLERANCES UNLESS OTHERWISE SPECIFIED:	DATE	10-20-97
mm	9 PLC ±.013	CHK	R. SWING
	1 PLC ±.013	APPV	K. WHITAKER
	2 PLC ±.013	DATE	10-20-97
	3 PLC ±.013	PRODUCT SPEC	AMP INCORPORATED
	4 PLC ±.013	APPLICATION SPEC	HARRISBURG, PA 17105-3608
	ANGLES	SIZE	A1
MATERIAL	NYLON, JL 94V-2, NATURAL	SCALE	5:1
FINISH		SHEET	1 OF 1
HEIGHT		REV	C

AMP INCORPORATED  
HARRISBURG, PA 17105-3608

PLUG, PANEL MOUNT, 9 CIRCUIT, .062 PIN AND SOCKET

CUSTOMER DRAWING



单击下面可查看定价，库存，交付和生命周期等信息

[>>TE Connectivity\(泰科\)](#)