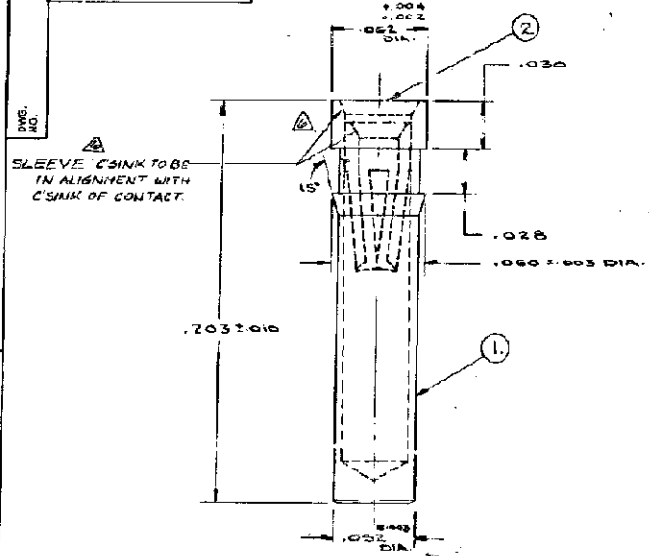


REV: AUGAT CONFIDENTIAL
THIS PRODUCT CONTAINS INFORMATION WHICH IS THE PROPERTY OF AUGAT INC. IT IS HEREBY AGREED THAT THE REPRODUCTION OF THIS PRODUCT IS STRICTLY PROHIBITED WITHOUT THE WRITTEN CONSENT OF AUGAT INC.

DO NOT SCALE PRINT



Notes:
 1. FOR USE WITH .016-.018 DIA. X .150±.016 LONG LEADS.
 2. RECOMMENDED MOUNTING - TOP INSERTION IN .062 THK GLASS EPOXY BOARD, HOLE SIZE -.065 ± .002 DIA.

MATERIAL AND FINISH:
 CONTACT SLEEVE - 303 STAINLESS STEEL
 WOODS NICKEL STRIKE;
 GOLD PLATE .00007" MIN. THK. PER MIL-G-45204

CONTACT - BERYLLIUM COPPER, GOLD OVER NICKEL PLATE
 AUGAT PART NO. LSG-10GG-12

REV#	REVISIONS
1	APD 3-16-72
2	APD 3-16-72
3	APD 3-16-72
4	APD 3-16-72
5	APD 3-16-72
6	APD 3-16-72
7	APD 3-16-72
8	APD 3-16-72
9	APD 3-16-72
10	APD 3-16-72
11	APD 3-16-72
12	APD 3-16-72
13	APD 3-16-72
14	APD 3-16-72
15	APD 3-16-72
16	APD 3-16-72
17	APD 3-16-72
18	APD 3-16-72
19	APD 3-16-72
20	APD 3-16-72
21	APD 3-16-72
22	APD 3-16-72
23	APD 3-16-72
24	APD 3-16-72
25	APD 3-16-72
26	APD 3-16-72
27	APD 3-16-72
28	APD 3-16-72
29	APD 3-16-72
30	APD 3-16-72
31	APD 3-16-72
32	APD 3-16-72
33	APD 3-16-72
34	APD 3-16-72
35	APD 3-16-72
36	APD 3-16-72
37	APD 3-16-72
38	APD 3-16-72
39	APD 3-16-72
40	APD 3-16-72
41	APD 3-16-72
42	APD 3-16-72
43	APD 3-16-72
44	APD 3-16-72
45	APD 3-16-72
46	APD 3-16-72
47	APD 3-16-72
48	APD 3-16-72
49	APD 3-16-72
50	APD 3-16-72
51	APD 3-16-72
52	APD 3-16-72
53	APD 3-16-72
54	APD 3-16-72
55	APD 3-16-72
56	APD 3-16-72
57	APD 3-16-72
58	APD 3-16-72
59	APD 3-16-72
60	APD 3-16-72
61	APD 3-16-72
62	APD 3-16-72
63	APD 3-16-72
64	APD 3-16-72
65	APD 3-16-72
66	APD 3-16-72
67	APD 3-16-72
68	APD 3-16-72
69	APD 3-16-72
70	APD 3-16-72
71	APD 3-16-72
72	APD 3-16-72
73	APD 3-16-72
74	APD 3-16-72
75	APD 3-16-72
76	APD 3-16-72
77	APD 3-16-72
78	APD 3-16-72
79	APD 3-16-72
80	APD 3-16-72
81	APD 3-16-72
82	APD 3-16-72
83	APD 3-16-72
84	APD 3-16-72
85	APD 3-16-72
86	APD 3-16-72
87	APD 3-16-72
88	APD 3-16-72
89	APD 3-16-72
90	APD 3-16-72
91	APD 3-16-72
92	APD 3-16-72
93	APD 3-16-72
94	APD 3-16-72
95	APD 3-16-72
96	APD 3-16-72
97	APD 3-16-72
98	APD 3-16-72
99	APD 3-16-72
100	APD 3-16-72

DESCRIPTION	DWG. SIZE	PART NUMBER	ITEM NO.
CONTACT	C	B134-32P3	2
SLEEVE	C	B128-22P2	1

UNLESS OTHERWISE SPECIFIED DIMENSIONS ARE IN INCHES	ORIGINAL DATE OF DRAWING:	 39 Perry Avenue INC. Attleboro, Mass. 02703 TITLE: OUTLINE DRAWING - LEAD SOCKET - DWG. NO. LSG-10
FRACTIONS DECIMALS ANGLES	DRAWN DATE: 5-7-72	
TOLERANCES ON	CHECKED DATE: 5-7-72	
MATERIAL:	APPROVED DATE: 5-7-72	
FINISH:	CODE IDENT NO. 91506	DWG. SIZE B

Property of Tyco Electronics Corporation, Jan 4 2001
 CUSTOMER DRWG: 3-1437510-7 REV: 99 PG 1 OF 1

单击下面可查看定价，库存，交付和生命周期等信息

[>>TE Connectivity\(泰科\)](#)