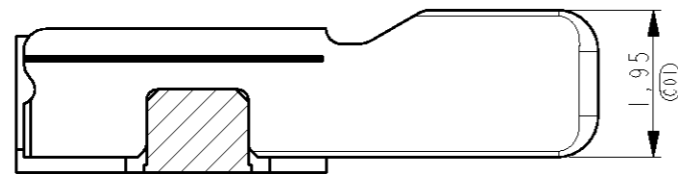
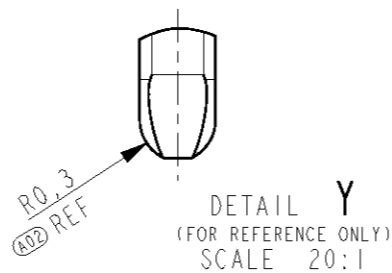


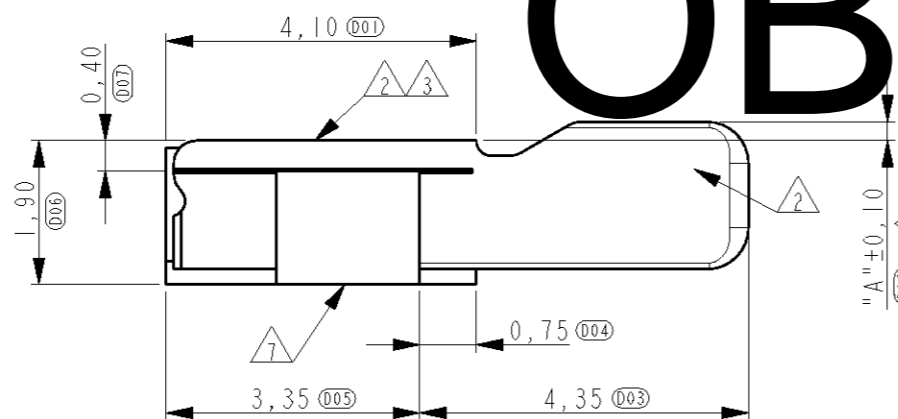
THIS DRAWING IS UNPUBLISHED. RELEASED FOR PUBLICATION
 © COPYRIGHT - BY - ALL RIGHTS RESERVED.

LOC	DIST	REVISIONS					
		P	LTR	DESCRIPTION	DATE	DWN	APVD
H	-		A	ECR-11-008319	20APR2011	PW	DH
			A1	OBSOLETE	29AUG2018	K.G	W.H

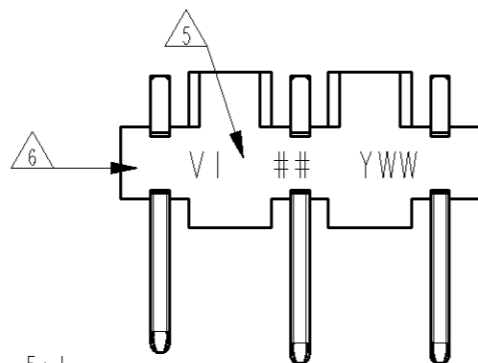
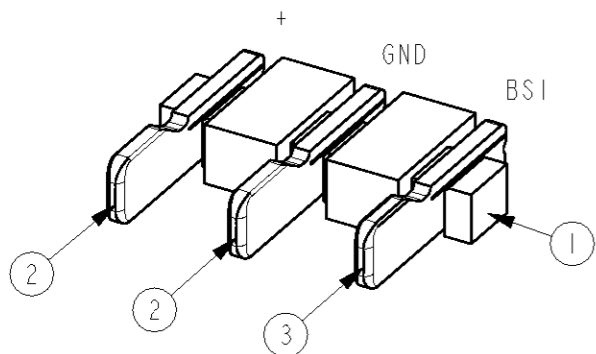
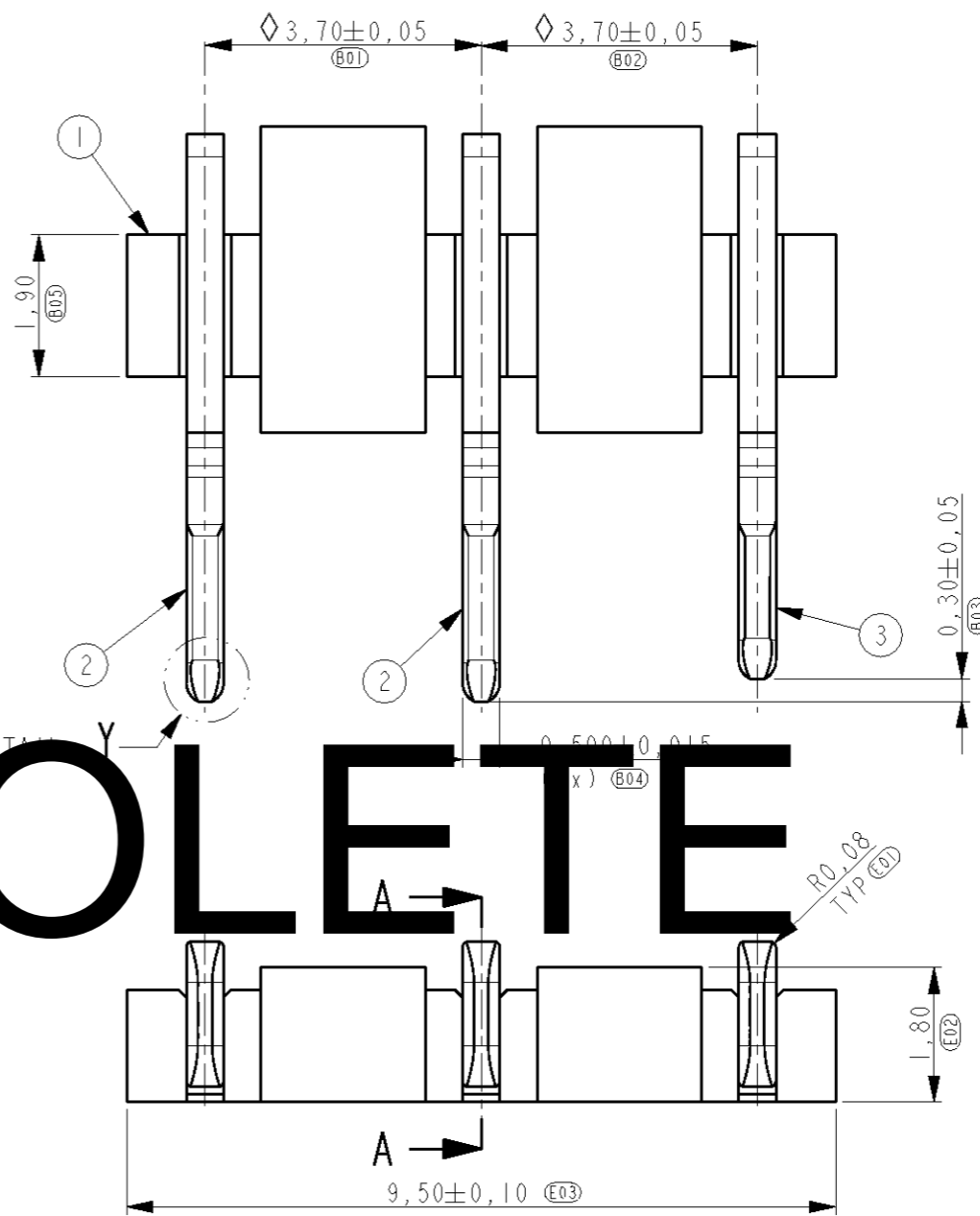
- NOTES:
- 1 DRAWING REPRESENTS PART VERSION "VI".
 - 2 PLATING:
 1,2µm MIN. NICKEL ALL OVER
 0,8µm MIN. GOLD ON CONTACT AREA
 0,1 - 0,3µm GOLD ON SOLDER AREA
 - 3 COPLANARITY OF SOLDER SURFACES 0,08 MAX.
 - 4 DIMENSION DEPENDS ON DISTANCE BETWEEN PWB AND BATTERY, SEE TABLE ON SHEET 3.
 - 5 MARKING: VERSION (VI), PROCESS ID (##), PRODUCTION DATE (YWW, YEAR AND WEEK).
 - 6 MARKING: CAVITY ID.
 - 7 PICK&PLACE AREA.



SECTION A-A



OBSOLETE



SCALE 5:1

ITEM NO.	DESCRIPTION	MATERIAL	FINISH
3	CONTACT, FIRST BREAK	COPPER ALLOY	GOLD PLATED
2	CONTACT, LAST BREAK	COPPER ALLOY	GOLD PLATED
1	HOUSING	PLASTIC, GF	-

THIS DRAWING IS A CONTROLLED DOCUMENT.

DIMENSIONS:	TOLERANCES UNLESS OTHERWISE SPECIFIED:
mm	
0 PLC	±-
1 PLC	±0,2
2 PLC	±0,1
3 PLC	±-
4 PLC	±-
ANGLES	±-

MATERIAL - FINISH -

DWN P.Willems 17AUG2009
 CHK P.Willems 17AUG2009
 APVD D.Halberstadt 17AUG2009
 PRODUCT SPEC 108-19276
 APPLICATION SPEC 114-19088
 WEIGHT -

STE TE Connectivity

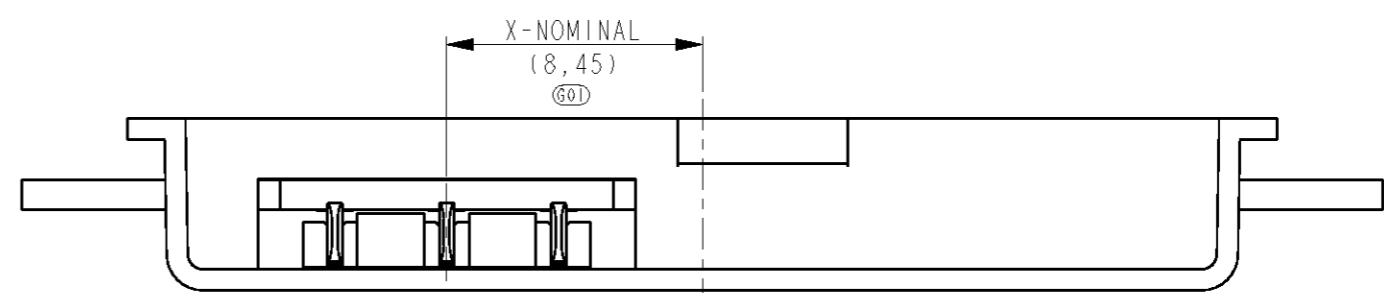
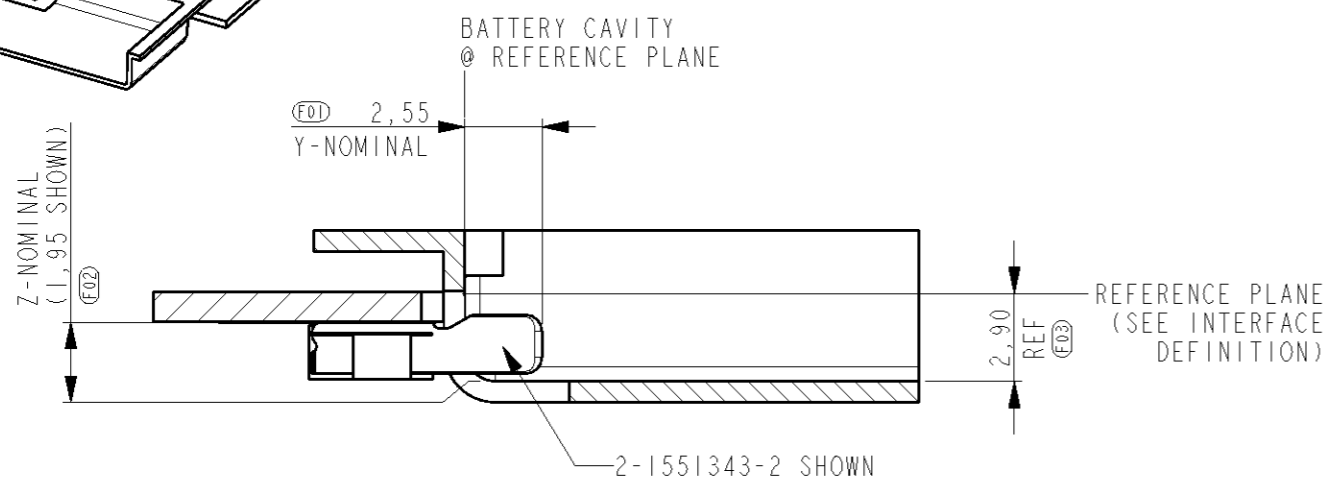
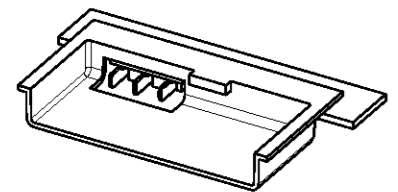
NAME: PLUG CONNECTOR EDGE-TYPE ULTRA SHORT, 3 POSITION BATTERY BLOCK

SIZE A3	CAGE CODE 00779	DRAWING NO C=1551343	RESTRICTED TO -
---------	-----------------	----------------------	-----------------

CUSTOMER DRAWING SCALE 10:1 SHEET 1 OF 5 REV A1

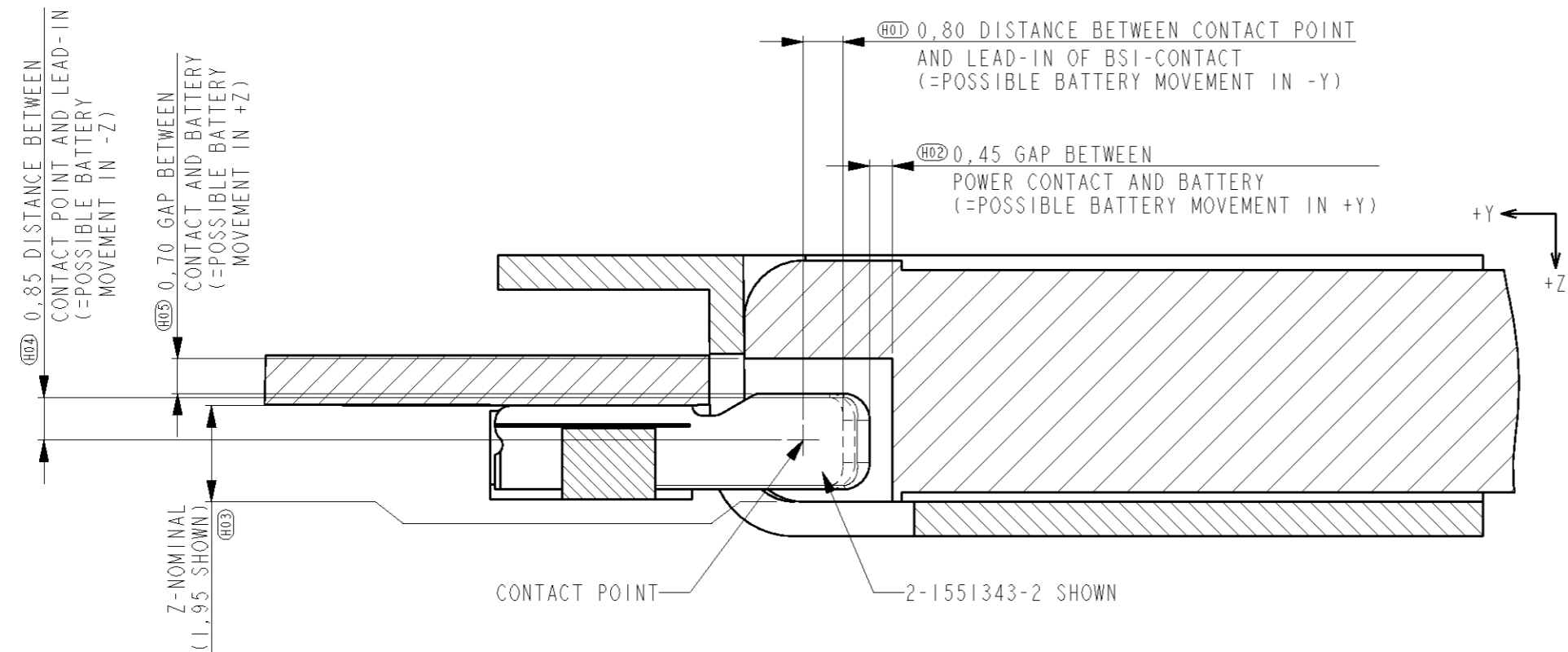
THIS DRAWING IS UNPUBLISHED. RELEASED FOR PUBLICATION
 © COPYRIGHT - BY - ALL RIGHTS RESERVED.

LOC	DIST	REVISIONS			
P	LTR	DESCRIPTION	DATE	DWN	APVD
H	-	SEE SHEET 1	-	-	-



SITUATION SKETCH OF THE PLUG APPLIED IN A BL-4B PHONE CASE.

CONNECTOR POSITIONING



WORKING RANGE:
 (PERMITTED BATTERY MOVEMENT)

IN X-DIRECTION ±0,50 SYMMETRICAL

IN Y-DIRECTION 1,25 TOTAL
 IN -Y-DIRECTION 0,80
 (BATTERY LENGTH TOLERANCE, PHONE CASE TOLERANCE, ASSEMBLY TOLERANCE, PHONE FLEXIBILITY)
 IN +Y-DIRECTION 0,45
 (ASSEMBLY TOLERANCE, PHONE FLEXIBILITY)

IN Z-DIRECTION 1,55 TOTAL
 IN -Z-DIRECTION 0,85
 (BATTERY FRONT TOLERANCE, PHONE CASE TOLERANCE, PHONE FLEXIBILITY)
 IN +Z-DIRECTION 0,70
 (PHONE CASE TOLERANCE, PHONE FLEXIBILITY)
 THESE VALUES APPLY IF Z-NOMINAL IS IN THE CENTER OF THE RANGE SPECIFIED FOR THE PLUG (AS SHOWN HERE).

WORKING RANGE

SCALE 8:1

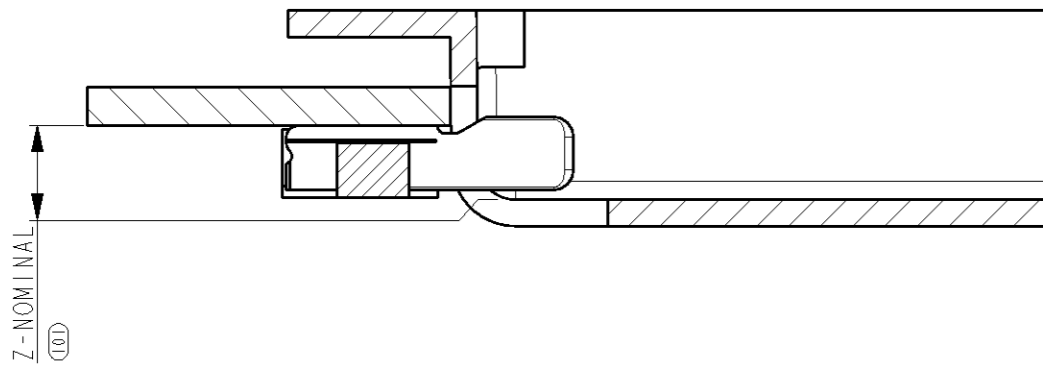
THIS DRAWING IS A CONTROLLED DOCUMENT.		DWN P.Willems 17AUG2009	TE Connectivity	
DIMENSIONS: mm		CHK P.Willems 17AUG2009		
TOLERANCES UNLESS OTHERWISE SPECIFIED:		APVD D.Halberstadt 17AUG2009	NAME	
0 PLC ±-	1 PLC ±0,2	PRODUCT SPEC 108-19276	PLUG CONNECTOR	
2 PLC ±0,1	3 PLC ±-	APPLICATION SPEC 114-19088	EDGE-TYPE ULTRA SHORT, 3 POSITION	
4 PLC ±-	ANGLES ±-	WEIGHT -	SIZE A3	CAGE CODE 00779
MATERIAL -	FINISH -	CUSTOMER DRAWING	DRAWING NO C=1551343	RESTRICTED TO -
		SCALE 10:1	SHEET 2 OF 5	REV A

THIS DRAWING IS UNPUBLISHED.

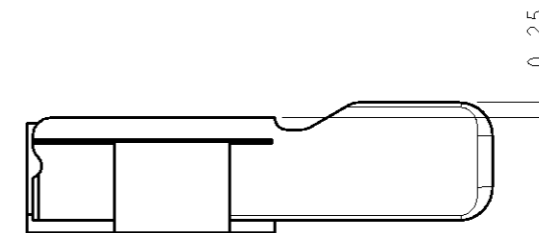
RELEASED FOR PUBLICATION

© COPYRIGHT - BY - ALL RIGHTS RESERVED.

LOC	DIST	REVISIONS					
H	-	P	LTR	DESCRIPTION	DATE	DWN	APVD
		-		SEE SHEET 1	-	-	-




NMP CODE	PART NUMBER	Z-NOMINAL RANGE	DIMENSION "A"	MASS [mg]
54699G2	2-1551343-2	<2,2 (1,75 - 2,15)	0,25	227



2-1551343-2

PRODUCT SELECTION

THIS DRAWING IS A CONTROLLED DOCUMENT.		DWN P. Willems 17AUG2009	 TE Connectivity	
DIMENSIONS: mm		CHK P. Willems 17AUG2009		
TOLERANCES UNLESS OTHERWISE SPECIFIED:		APVD D. Halberstadt 17AUG2009	NAME PLUG CONNECTOR EDGE-TYPE ULTRA SHORT, 3 POSITION BATTERY BLOCK	
0 PLC ±- 1 PLC ±0,2 2 PLC ±0,1 3 PLC ±- 4 PLC ±- ANGLES ±-		PRODUCT SPEC 108-19276	RESTRICTED TO	
MATERIAL -		APPLICATION SPEC 114-19088	SIZE A3	CAGE CODE 00779
FINISH -		WEIGHT -	DRAWING NO C=1551343	
		CUSTOMER DRAWING	SCALE 10:1	SHEET 3 OF 5
			REV A	

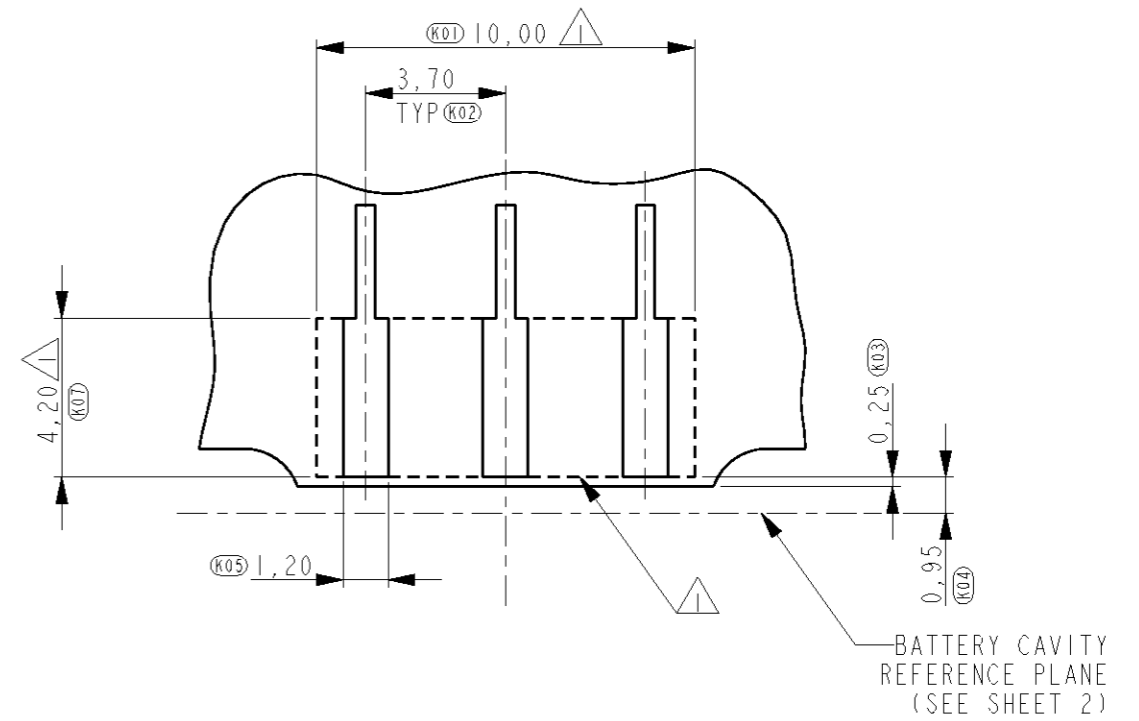
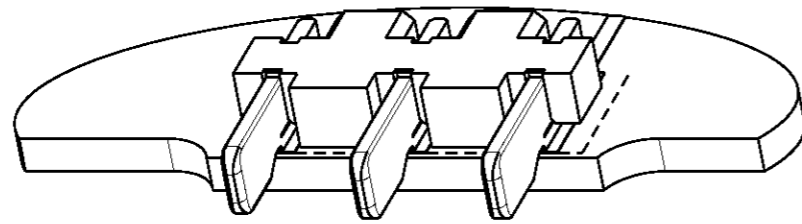
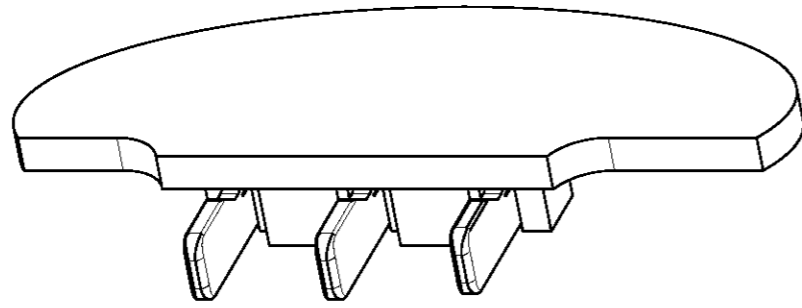
THIS DRAWING IS UNPUBLISHED.

RELEASED FOR PUBLICATION

© COPYRIGHT - BY -


ALL RIGHTS RESERVED.

LOC	DIST	REVISIONS					
H	-	P	LTR	DESCRIPTION	DATE	DWN	APVD
				SEE SHEET 1			



NOTES:

△ AREA FREE OF SOLDER SCREEN.

THIS DRAWING IS A CONTROLLED DOCUMENT.		DWN P. Willems 17AUG2009	 TE Connectivity	
DIMENSIONS: mm		CHK P. Willems 17AUG2009		
TOLERANCES UNLESS OTHERWISE SPECIFIED:		APVD D. Halberstadt 17AUG2009	NAME PLUG CONNECTOR EDGE-TYPE ULTRA SHORT, 3 POSITION BATTERY BLOCK	
0 PLC ±-		PRODUCT SPEC 108-19276	SIZE A3	
1 PLC ±0,2		APPLICATION SPEC 114-19088	CAGE CODE 00779	DRAWING NO C=1551343
2 PLC ±0,1		WEIGHT -	RESTRICTED TO -	
3 PLC ±-		CUSTOMER DRAWING	SCALE 10:1	SHEET 4 OF 5
4 PLC ±-			REV A	
ANGLES ±-				
MATERIAL -				
FINISH -				

THIS DRAWING IS UNPUBLISHED.

RELEASED FOR PUBLICATION

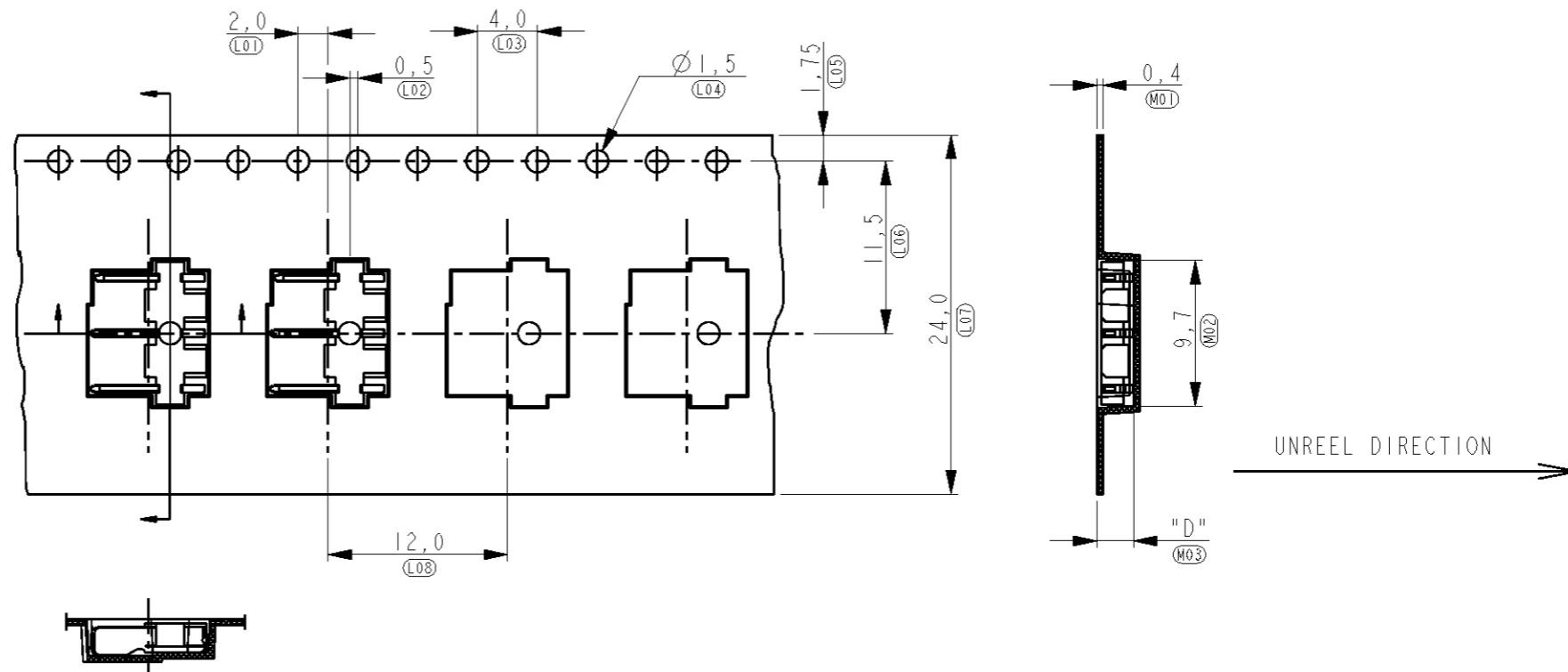
© COPYRIGHT - BY - ALL RIGHTS RESERVED.


LOC	DIST	REVISIONS					
H	-	P	LTR	DESCRIPTION	DATE	DWN	APVD
				SEE SHEET 1	-	-	-

PART NUMBER	QUANTITY PER REEL	DIMENSION "D"
2-1551343-2	1800	2,45

NOTES:

1 REEL DIMENSION: 330x101x24,4.



THIS DRAWING IS A CONTROLLED DOCUMENT.		DWN P. Willems 17AUG2009	 TE Connectivity	
DIMENSIONS: mm		CHK P. Willems 17AUG2009		
TOLERANCES UNLESS OTHERWISE SPECIFIED:		APVD D. Halberstadt 17AUG2009	NAME PLUG CONNECTOR EDGE-TYPE ULTRA SHORT, 3 POSITION BATTERY BLOCK	
0 PLC ±- 1 PLC ±0,2 2 PLC ±0,1 3 PLC ±- 4 PLC ±- ANGLES ±-		PRODUCT SPEC 108-19276	SIZE A3	
MATERIAL -		APPLICATION SPEC 114-19088	CAGE CODE 00779	DRAWING NO C=1551343
FINISH -		WEIGHT -	RESTRICTED TO -	
		CUSTOMER DRAWING	SCALE 10:1	SHEET 5 OF 5
			REV A	

单击下面可查看定价，库存，交付和生命周期等信息

[>>TE Connectivity\(泰科\)](#)