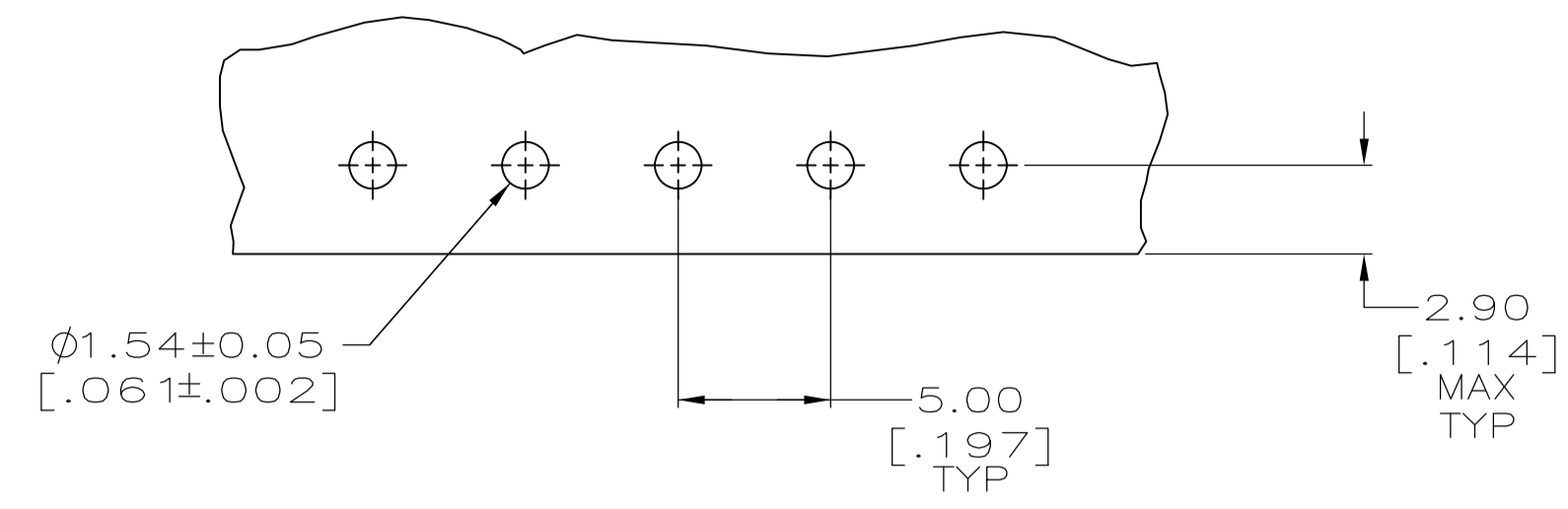
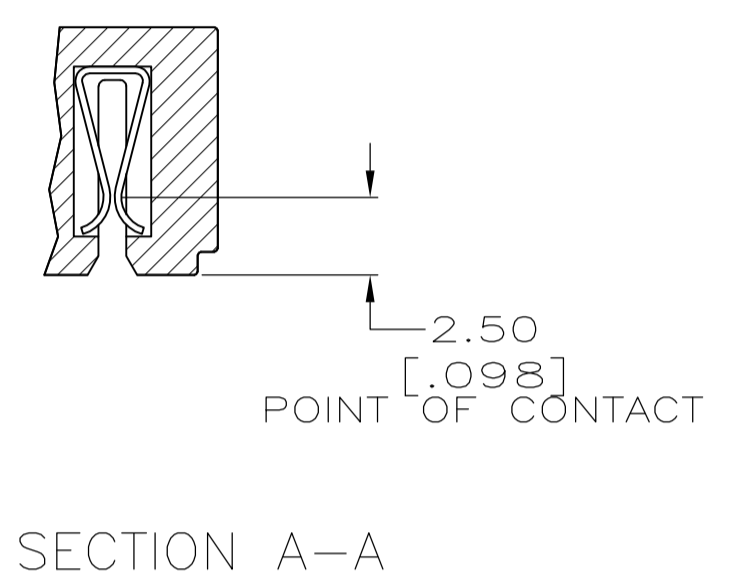
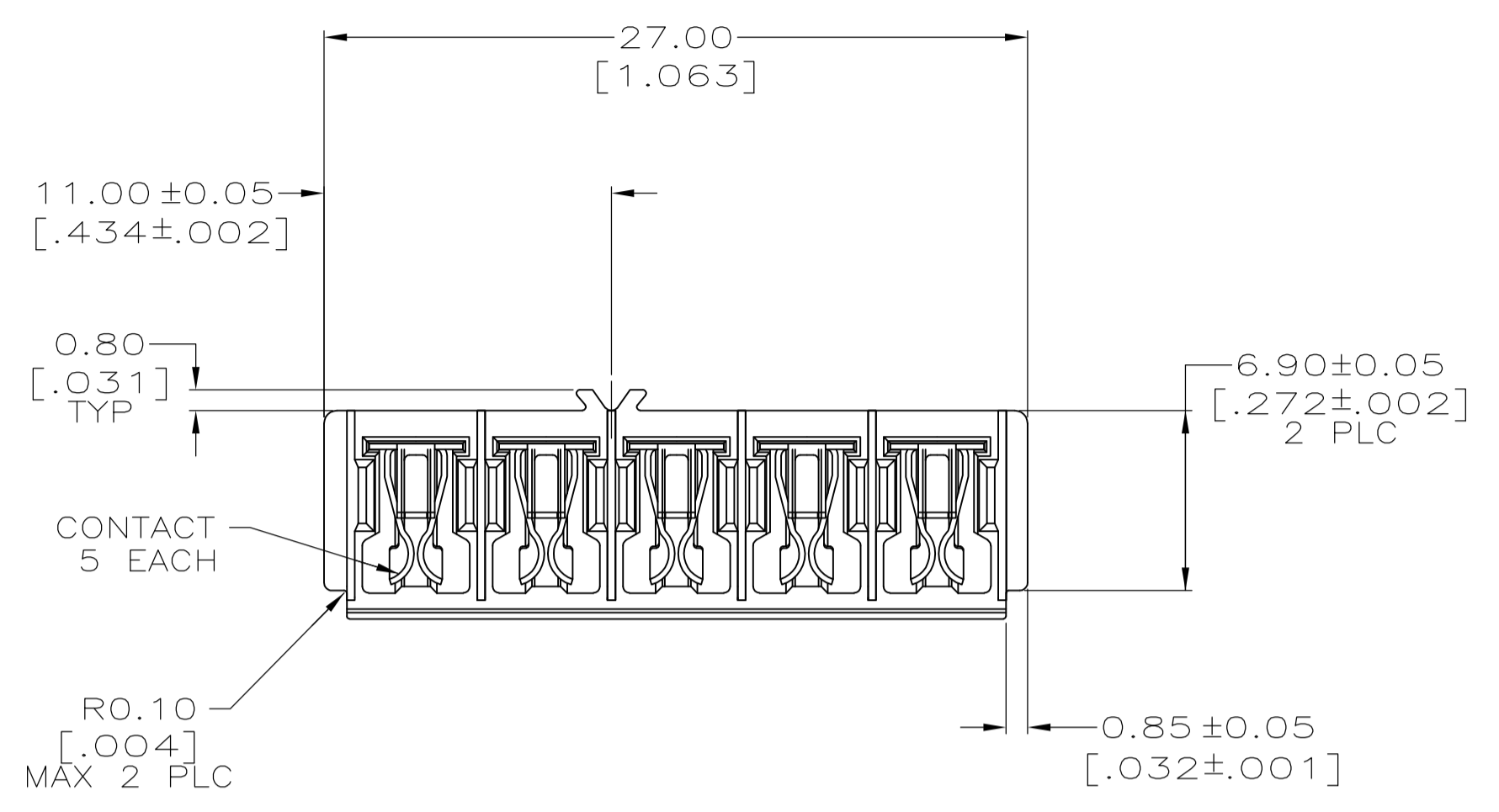
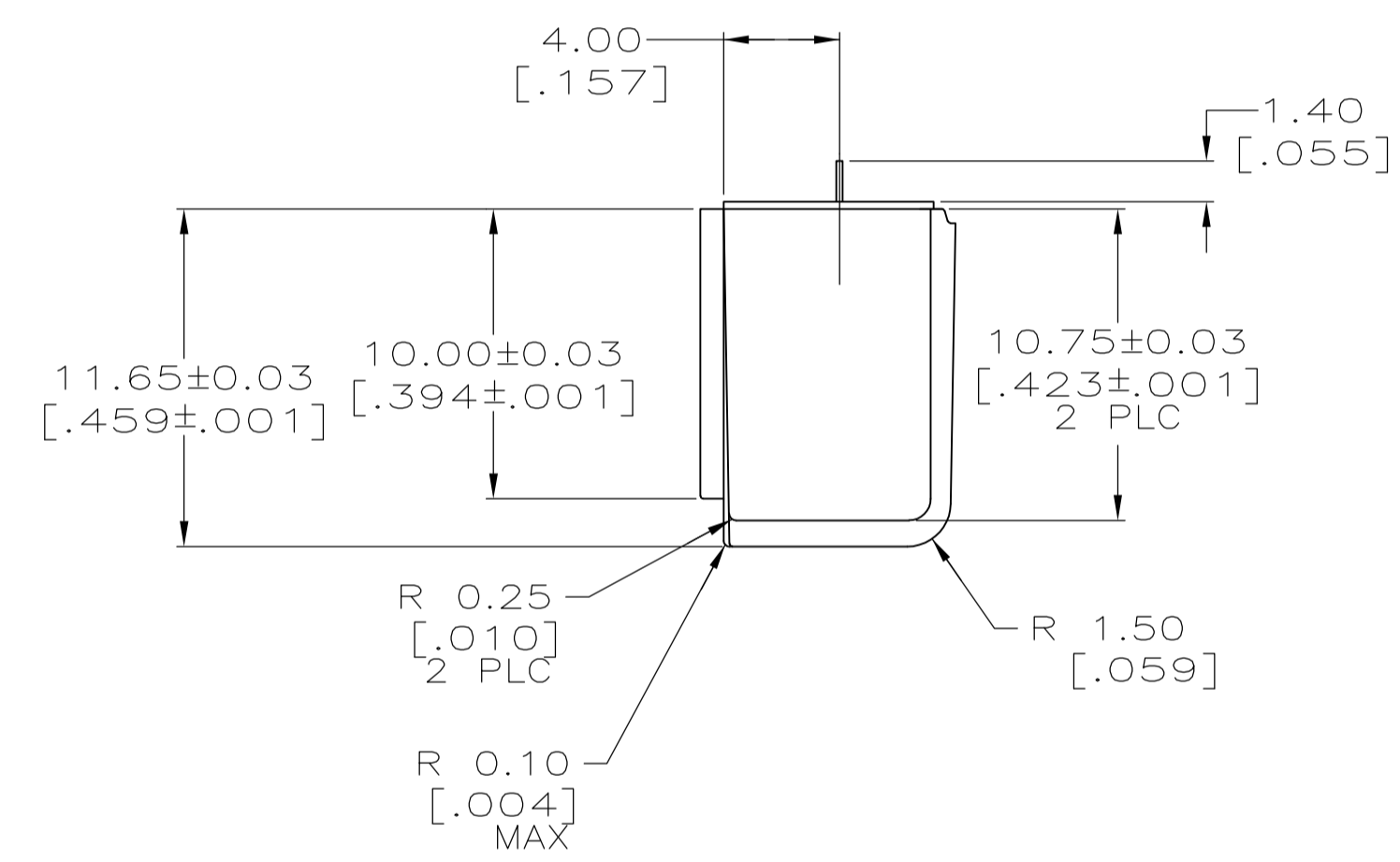


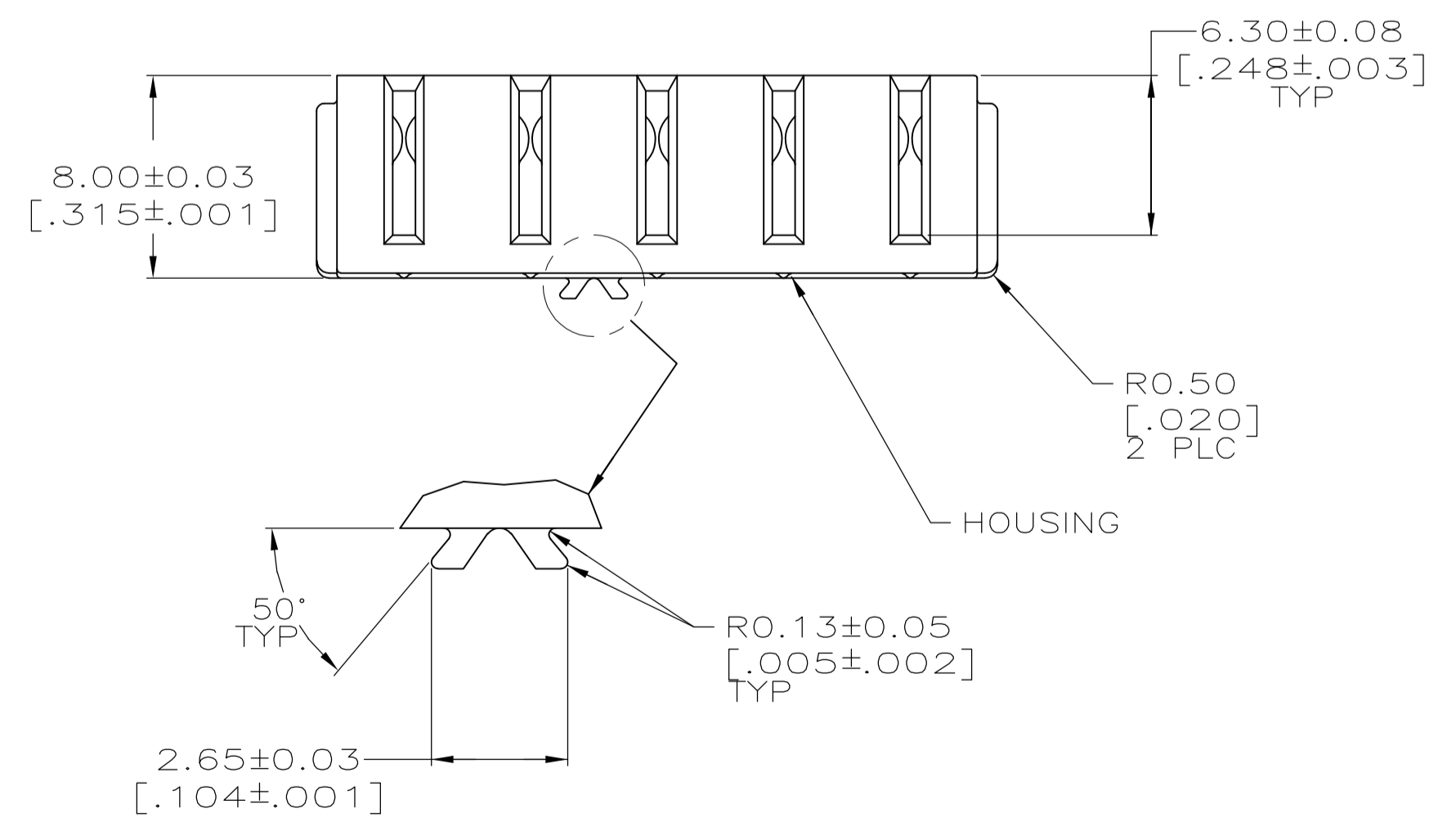
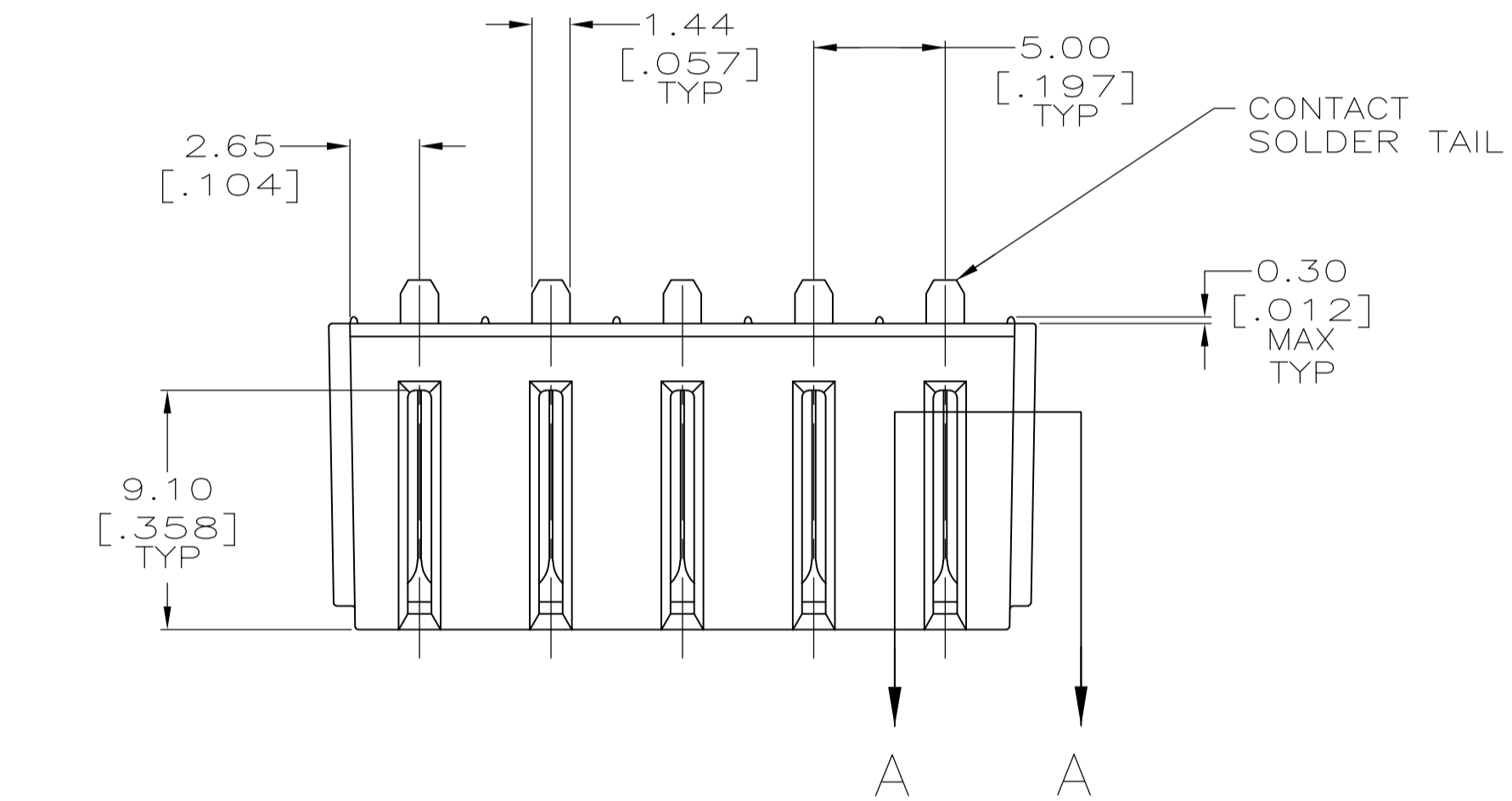
SUGGESTED CAVITY



RECOMMENDED PC BOARD LAYOUT



SECTION A-A



- ⚠ HOUSING: POLYPHTHALAMIDE, BLACK. CONTACTS: PHOSPHOR BRONZE.
- ⚠ CONTACT: 1.30um[.000051] MIN TIN ON SOLDER TAIL OVER 1.90um[.000075] MIN NICKEL ON ENTIRE CONTACT.

5146800-1
PART NUMBER

THIS DRAWING IS A CONTROLLED DOCUMENT.		DIN C. REIFSNYDER 21 OCT 96	Tyco Electronics Corporation Shanghai PRC												
DIMENSIONS: mm		CHK C. BAKER 04 NOV 96													
TOLERANCES UNLESS OTHERWISE SPECIFIED:		APVD C. BAKER 05 NOV 96	NAME INSERT ASSEMBLY, 5 POSITION, KEYLESS, DOVETAIL LOCATOR, 5mm Ø, 7.2 VOLT, BATTERY INTERCONNECT												
<table border="1"> <tr> <td>0 PLC</td> <td>± -</td> </tr> <tr> <td>1 PLC</td> <td>± -</td> </tr> <tr> <td>2 PLC</td> <td>± 0.10[.004]</td> </tr> <tr> <td>3 PLC</td> <td>± -</td> </tr> <tr> <td>4 PLC</td> <td>± -</td> </tr> <tr> <td>ANGLES</td> <td>± °</td> </tr> </table>		0 PLC	± -	1 PLC	± -	2 PLC	± 0.10[.004]	3 PLC	± -	4 PLC	± -	ANGLES	± °	PRODUCT SPEC 108-1501	SIZE A1
0 PLC	± -														
1 PLC	± -														
2 PLC	± 0.10[.004]														
3 PLC	± -														
4 PLC	± -														
ANGLES	± °														
MATERIAL		WEIGHT	SCALE 4:1												
FINISH		CUSTOMER DRAWING	SHEET 1 of 1												
		DRAWING NO 00779	REV P												

单击下面可查看定价，库存，交付和生命周期等信息

[>>TE Connectivity\(泰科\)](#)