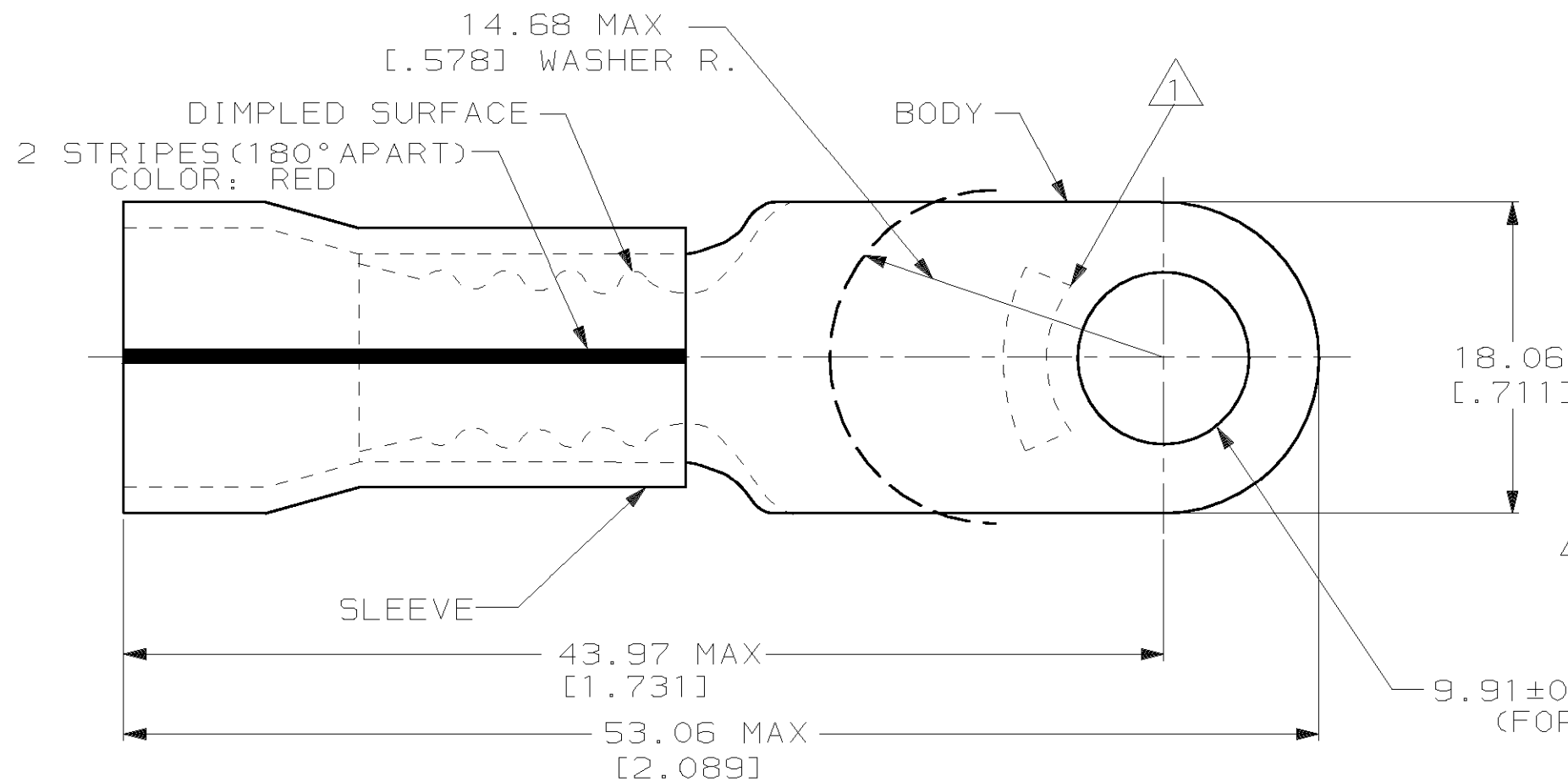


THIS DRAWING IS UNPUBLISHED. RELEASED FOR PUBLICATION, 19  
 © COPYRIGHT 19 BY AMP INCORPORATED. ALL INTERNATIONAL RIGHTS RESERVED.

LOC	DIST	P	F	REVISIONS			DATE	APPD
G	14			ZONE	LTR	DESCRIPTION		
					F	REV PER 0G3A-0236-99	250CT99	JR/TM



**AMP**  
WIRE RANGE

---

2 AWG  
STRANDED

**METRIC**

DIMENSIONS LISTED IN mm [ INCHES ]

NOTE:  
 1. STAMP AMP 2\* LOCATE APPROX AS SHOWN  
 2. TONGUE MATERIAL THK 1.45±0.08 [.057±.003]  
 3. WIRE INSULATION DIA 14.22 [.560] MAX

9.91±0.13 [.390±.005] DIA  
(FOR 3/8 STUD)

<del>OBSOLETE</del>	<del>50</del>	<del>LOOSE PC, BOX</del>	<del>8-53953-2</del>
	50	LOOSE PC	53953-1
	QTY	PACKAGE TYPE	PART NO

<b>AMP INCORPORATED CUSTOMER SERVICE SYSTEMS</b>		MAX RECOMMENDED OPERATING TEMPERATURE: 150°c	DO NOT SCALE PRINT. UNLESS SPECIFIED DIMENSIONS IN mm [INCHES] TOLERANCES ON: 2 PLC DEC ± 0.20 [.008] 3 PLC DEC ± - ANGLES ± -	DR 10-6-93 S.S. GOULDEN	<b>AMP</b> AMP Incorporated Harrisburg, PA 17105-3608
FOR ADDITIONAL PRODUCT INFORMATION OR COPIES OF DRAWINGS AND TECHNICAL DOCUMENTS	PRODUCT INFORMATION CENTER 1-800-522-6752	VOLTAGE RATING: 600 V MAX	MATERIAL COPPER PER ASTM B-152 PVF <sup>2</sup> , COLOR:NATURAL	CHK 10-6-93 R. HERSEY	
FOR APPLICATION TOOLING INFORMATION	TOOLING ASSISTANCE CENTER 1-800-722-1111	CIRCULAR MIL AREA: 26.65-42.41mm <sup>2</sup> [52,600-83,700] STRANDED	FINISH TIN/LEAD (93-7) PLATE PER ASTM B545	APPD 10-6-93 B. BARE	NAME TERMINAL, RING TONGUE, PVF <sup>2</sup> , PLASTI-GRIP, WIRE SIZE:2 AWG
FOR ORDER ENTRY	1-800-526-5142	THIS DRAWING IS A CONTROLLED DOCUMENT FOR AMP INCORPORATED. IT IS SUBJECT TO CHANGE AND THE CONTROLLING ENGINEERING ORGANIZATION SHOULD BE CONTACTED FOR THE LATEST REVISION.		APPD 10-6-93 M. ELLIS	SIZE B
				PRODUCT SPEC NOT AVAILABLE	CAGE CODE 00779
				APPLICATION SPEC NOT AVAILABLE	DRAWING NO C-53953
				WEIGHT -	SCALE NTS
					SHEET 1 OF 1

单击下面可查看定价，库存，交付和生命周期等信息

[>>TE Connectivity\(泰科\)](#)