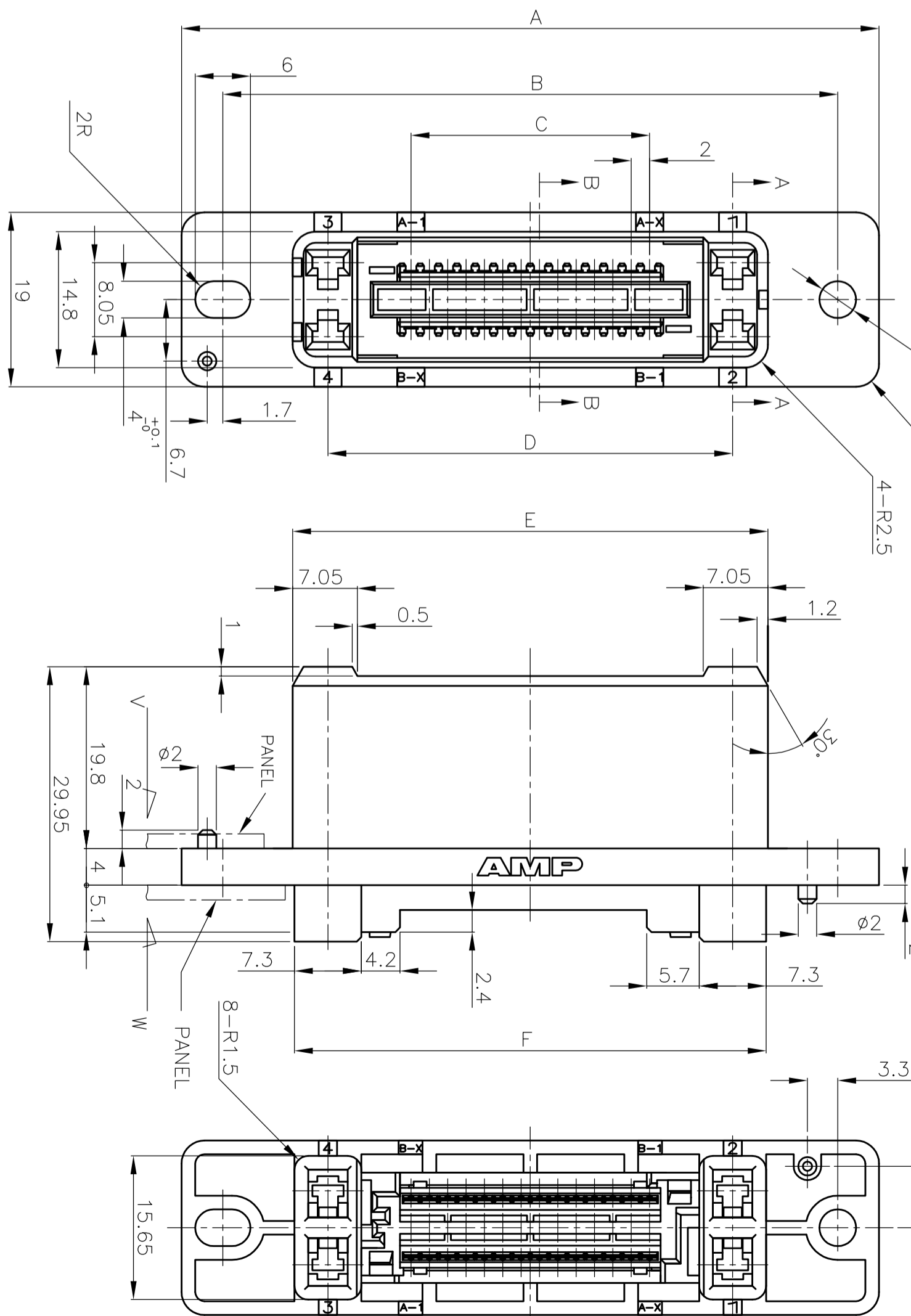
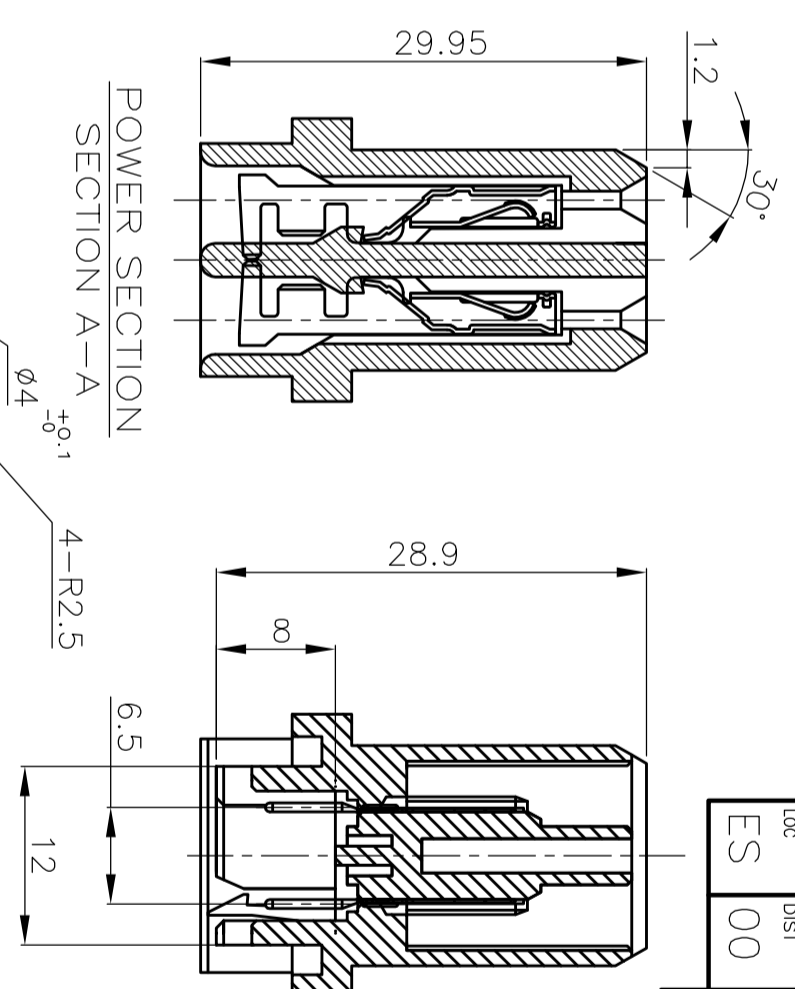
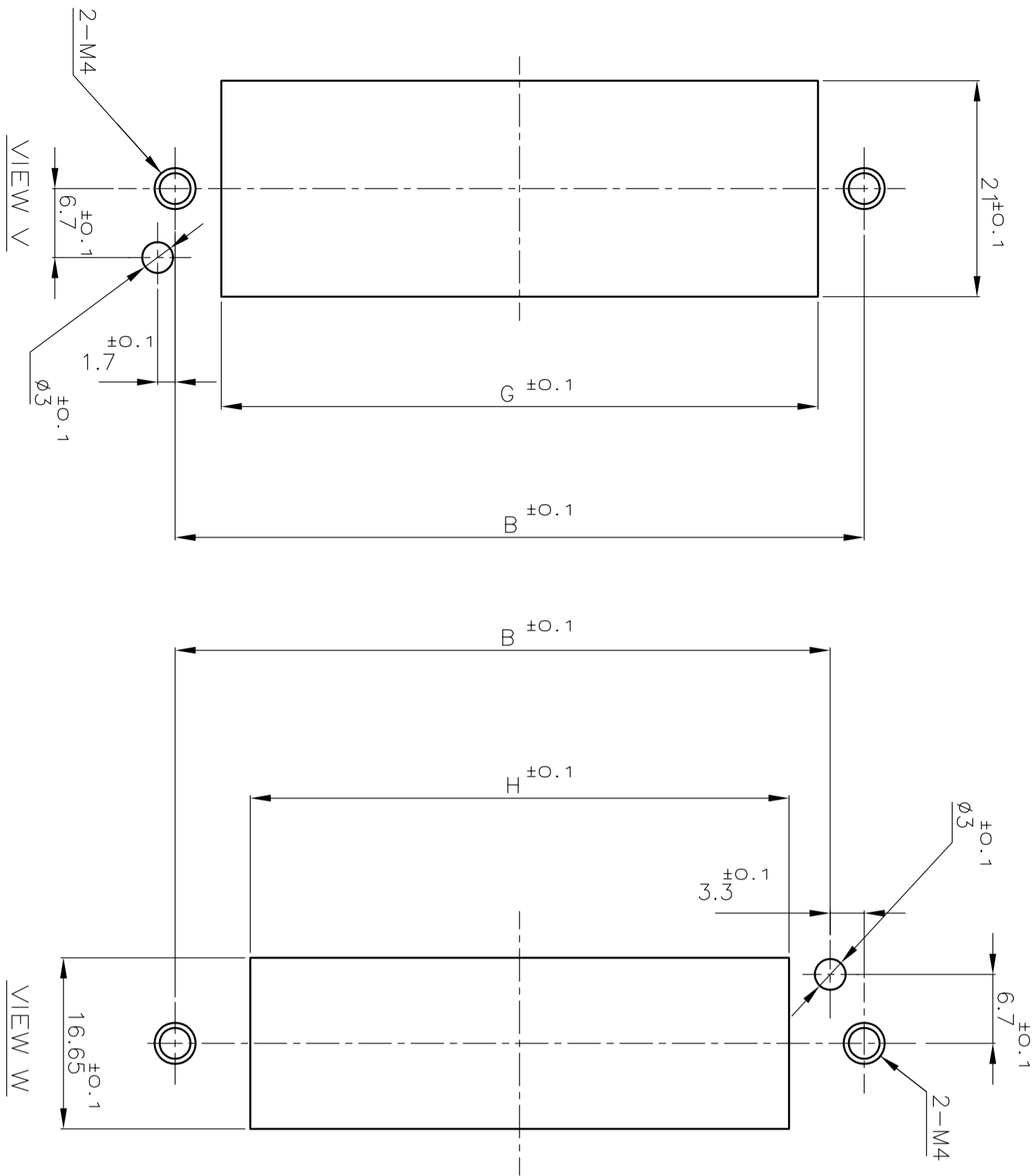


PANEL CUT DIMENSIONS



NOTES

1. MATERIAL
 HOUSING: THERMO PLASTIC
 CONTACT: COPPER ALLOY
2. CONTACT FINISH
 MATING SIDE: NICKEL PL. ALL OVER GOLD PL.
 CT MATING SIDE: NICKEL PL. ALL OVER Sn-100% PL.
3. APPLIED POWER CONTACT P/N

FINISH	AWG	STRIP	LOOSE PIECE
GOLD	#16~20	179316-4	
PL.	#20~24	179317-4	
TIN	#16~20	1-179316-2	
PL.	#20~24	1-179317-2	

△ P: NUMBER OF POWER CONTACT (UNLOADED)
 S: NUMBER OF SIGNAL CONTACT (PRELOADED)

LOC	DIST	REV	DESCRIPTION	DATE	DMN	APVD
ES	00					
B2	REVISED	FOR-08-015695		19JUN08	C.Z	S.Y

APPLIED CT HOLDER P/N	APPLIED CTCONN P/N	MATING COUNTER P/N	H	G	F	E	D	C	B	A	POS	P/N
2-292181-8	2-292181-8	52.4	58	51.4	51.8	44.1	26	67	76	4-28	2-	-8
2-292181-0	2-292181-0	44.4	50	43.4	43.8	36.1	18	59	68	4-20	2-	-0
175133-8	173977-4	292182-8	32.4	38	31.4	31.8	24.1	6	47	56	4-8	292185-8

TOLERANCE UNLESS OTHERWISE SPECIFIED

10 > * : ±0.2
 30 > * > 10 : ±0.25
 100 > * > 30 : ±0.3
 ANGLE : ±3°

THIS DRAWING IS A CONTROLLED DOCUMENT.

APPROVED BY: JIANG S. YAO

DATE: 05FEB03

NAME: T. SASAKI

PRODUCT SPEC: 108-60022

APPLICATION SPEC: 108-60022

HYBRID MINI DRAWER CONN. REC ASS'Y

SCALE: NTS

SHEET: 1 OF 1

REV: B2

单击下面可查看定价，库存，交付和生命周期等信息

[>>TE Connectivity\(泰科\)](#)