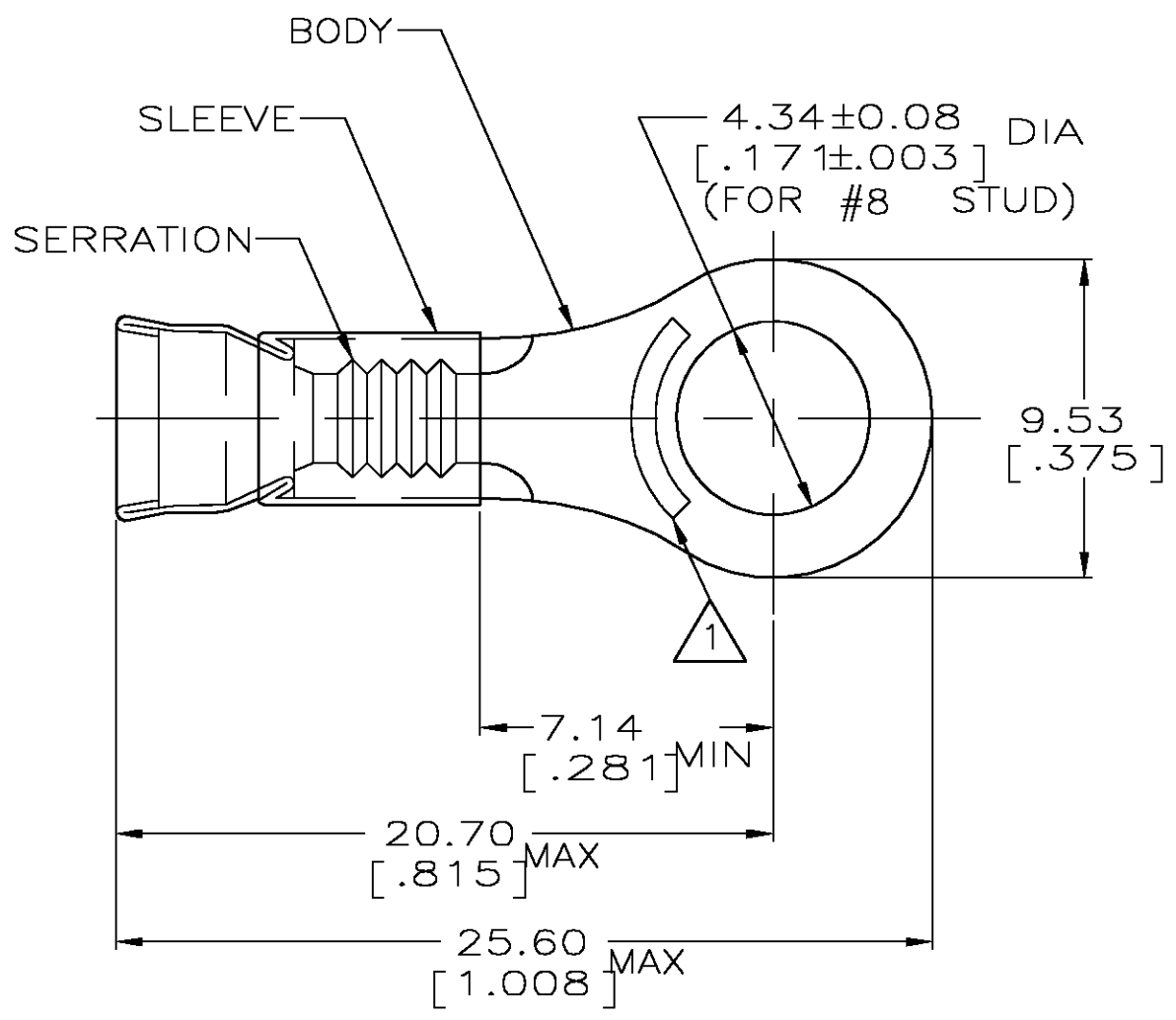


THIS DRAWING IS UNPUBLISHED. RELEASED FOR PUBLICATION
 © COPYRIGHT BY TYCO ELECTRONICS CORPORATION. ALL RIGHTS RESERVED.

LOC	DIST	REVISIONS			
P	LTR	DESCRIPTION	DATE	DWN	APVD
G	14	R	REV PER 0G3A-0279-03	02SEP03	JR MS



- 1 SEE TABLE FOR STAMPING
- 2 WIRE INSUL. DIA 3.18-5.84 [.150-.230]
- 3 TONGUE MATL THK, 1.02±0.05 [.040±.002]
- 4 MATERIAL: BODY - SEE TABLE
SLEEVE - NI SIL PER ASTM B122
- 5 MAX RECOMMENDED OPERATING TEMP
649°C [1200°F]
- 6 CIRCULAR MIL AREA 2.62mm²-6.64mm²
[5180-13100] STARND ED WIRE

OBSOLETE	AMP 12 10CH	CHROMEL	GRAY	500	LOOSE PIECE	2-323749-1
	AMP 12-10	NICKEL PER ASTM B162	ORANGE	500	LOOSE PIECE	323749
	STAMPING	BODY MATERIAL	SLV COLOR	QTY	PACKAGE TYPE	PART NO

THIS DRAWING IS A CONTROLLED DOCUMENT.		DWN L OLMEDA 100CT94	Tyco Electronics Corporation Harrisburg, PA 17105				
DIMENSIONS: MM [INCHES]		CHK M ELLIS 100CT94					
		APVD S BORTNER 100CT94	NAME TERMINAL, RING TONGUE, STRATO-THERM, DIAMOND GRIP, WIRE SIZE: 12-10 AWG				
TOLERANCES UNLESS OTHERWISE SPECIFIED: 0 PLC ± - 1 PLC ± - 2 PLC ± 0.20 [.008] 3 PLC ± - 4 PLC ± - ANGLES ± -		PRODUCT SPEC -	SIZE A3	CAGE CODE 00779	DRAWING NO C-323749	RESTRICTED TO -	
MATERIAL -		FINISH SEE TABLE	APPLICATION SPEC -	WEIGHT -	SCALE 4:1	SHEET 1 OF 1	REV R
CUSTOMER DRAWING							

单击下面可查看定价，库存，交付和生命周期等信息

[>>TE Connectivity\(泰科\)](#)