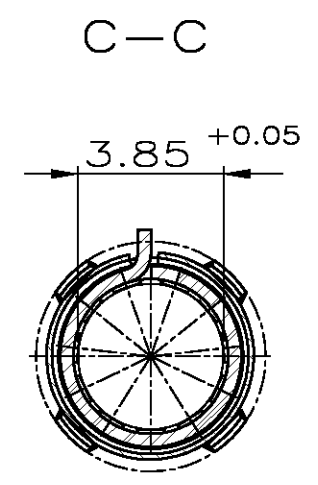
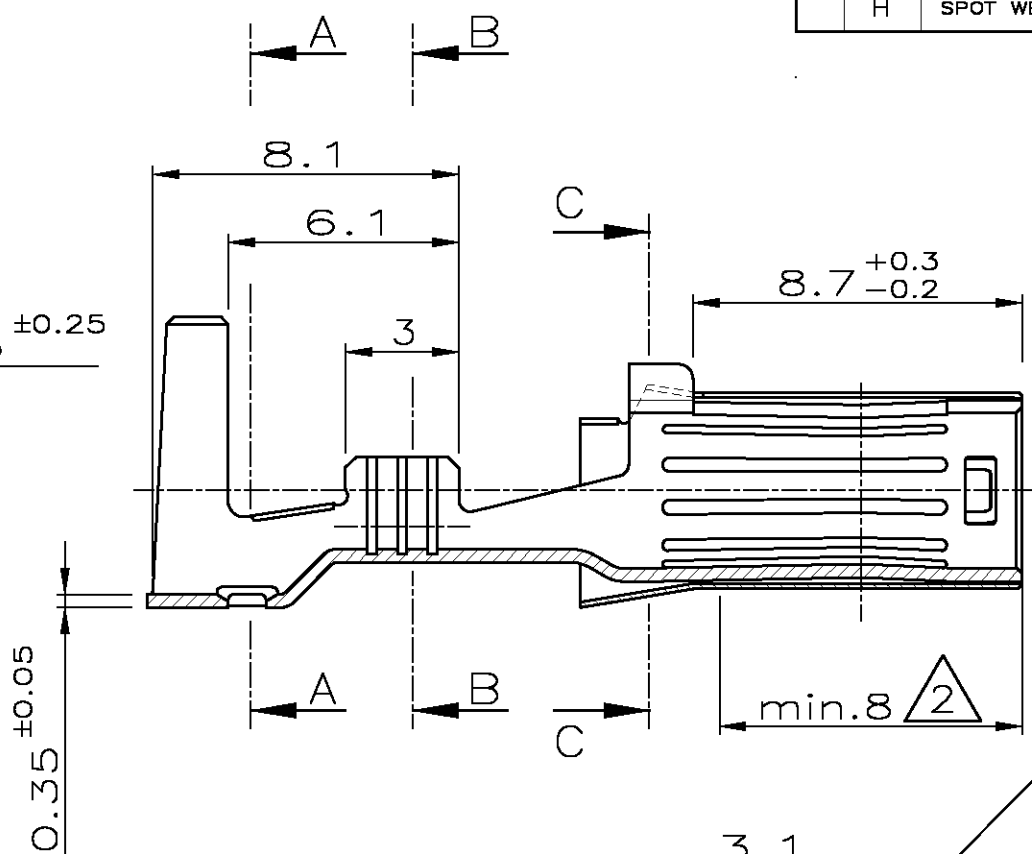
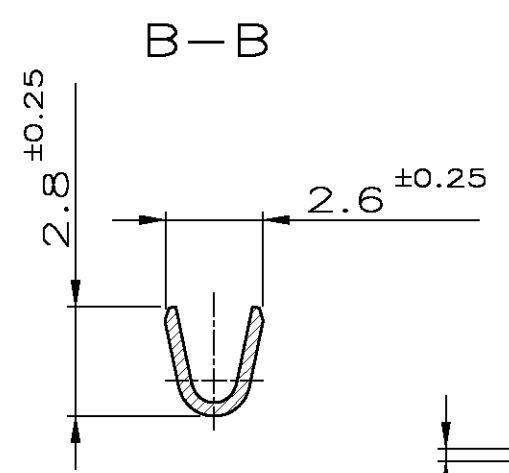
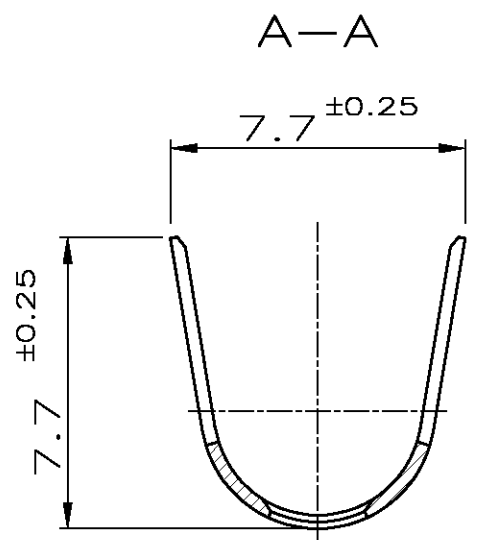


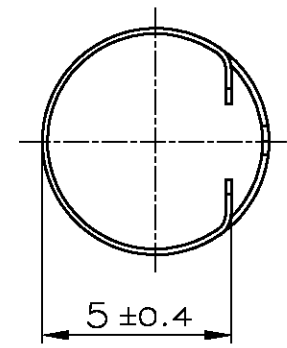
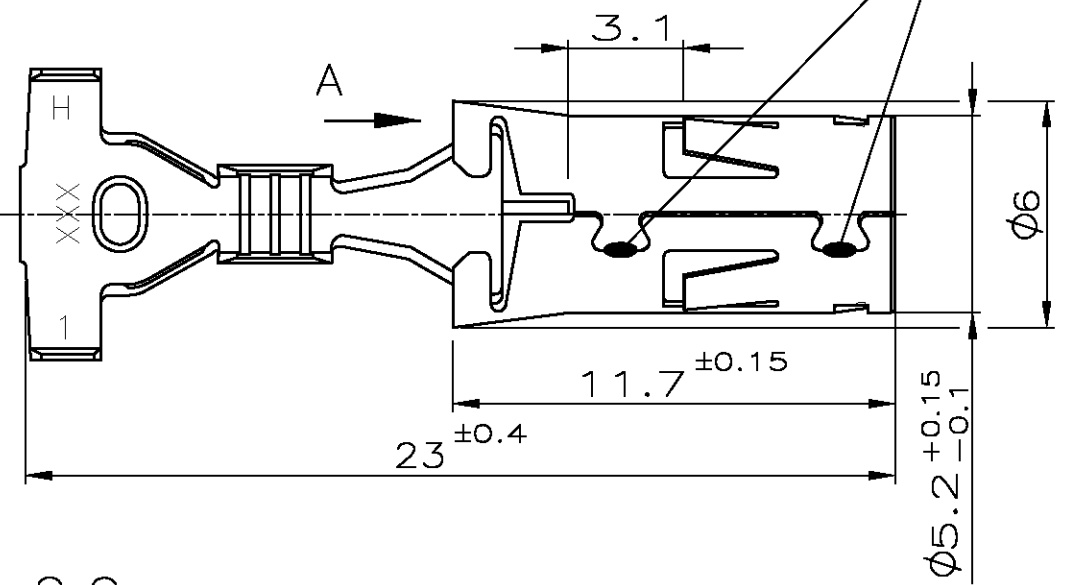
THIS DRAWING IS UNPUBLISHED. RELEASED FOR PUBLICATION  
 © COPYRIGHT - ALL RIGHTS RESERVED.

LOC	DIST	REVISIONS			
P	LTR	DESCRIPTION	DATE	DWN	APVD
A1	-				
F		DOVE TAIL ADDED / Schwabenschwanz eingefuegt	27JUL2006	C.H.	C.G.
G		DRAWING ADAPTED / Zeichnung angepasst	13AUG2007	Abr	C.G.
H		SPOT WELDING CHANGED INTO LINE WELDING	27SEP2012	Sch	Abr



LASER WELDED (LINE)  
Laserschweissung (Linie)

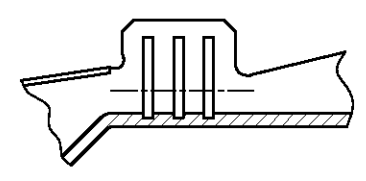
Teilansicht A



NOTES  
Bemerkungen

- 1 1-3µm Sn  
1-3µm Sn
- 2 3-4µm GALVANIC Ag  
REST GALV. Sn (1-3µm)  
3-4µm galvanisch Ag  
Rest galv. Sn (1-3µm)
- 3 WIRE RANGE  
Drahtgroessenbereich (mm<sup>2</sup>): 0.5-1
- 4 INSULATION RANGE FOR SWS Ø6 (mm): 1.4-2.0  
Isolationsbereich fuer EDS Ø6

OPTIONAL



2	vorversilbert	0-962952-2	H
1	vorverzinkt	0-962952-1	H
	FINISH	PART NO.	REV.

THIS DRAWING IS A CONTROLLED DOCUMENT.	
DIMENSIONS: mm	TOLERANCES UNLESS OTHERWISE SPECIFIED: ±0.2mm
	0 PLC ± 1 PLC ± 2 PLC ± 3 PLC ± 4 PLC ± ANGLES ±1.5°
MATERIAL CuNiSi	FINISH -

DWN E. Palmie 02FEB1995		<b>STE</b> TE Connectivity	
CHK H. Lutsch 02FEB1995			
APVD -		NAME Ø4mm SOCKET CONTACT, SWS Ø4mm Buchsenkontakt, EDS	
PRODUCT SPEC 108-18472		SIZE A3	CAGE CODE 00779
APPLICATION SPEC 114-18118		DRAWING NO C-962952	RESTRICTED TO -
WEIGHT -		SCALE 5:1	
CUSTOMER DRAWING		SHEET 1 OF 1	
		REV H	

单击下面可查看定价，库存，交付和生命周期等信息

[>>TE Connectivity\(泰科\)](#)