

THIS DRAWING IS UNPUBLISHED.

RELEASED FOR PUBLICATION

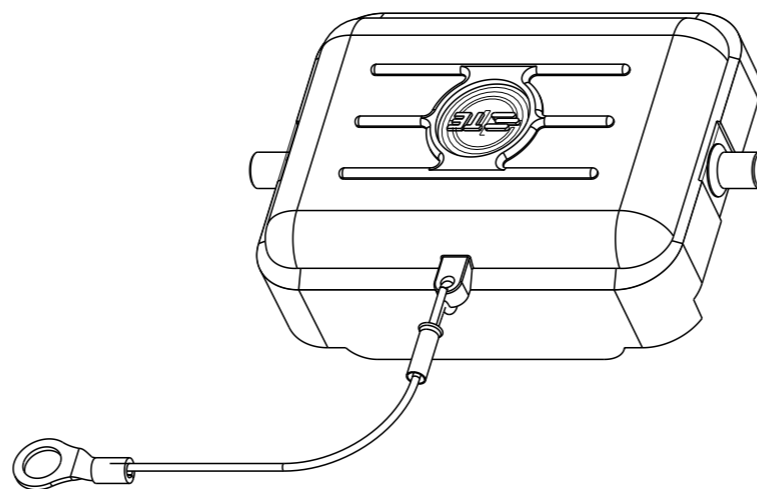
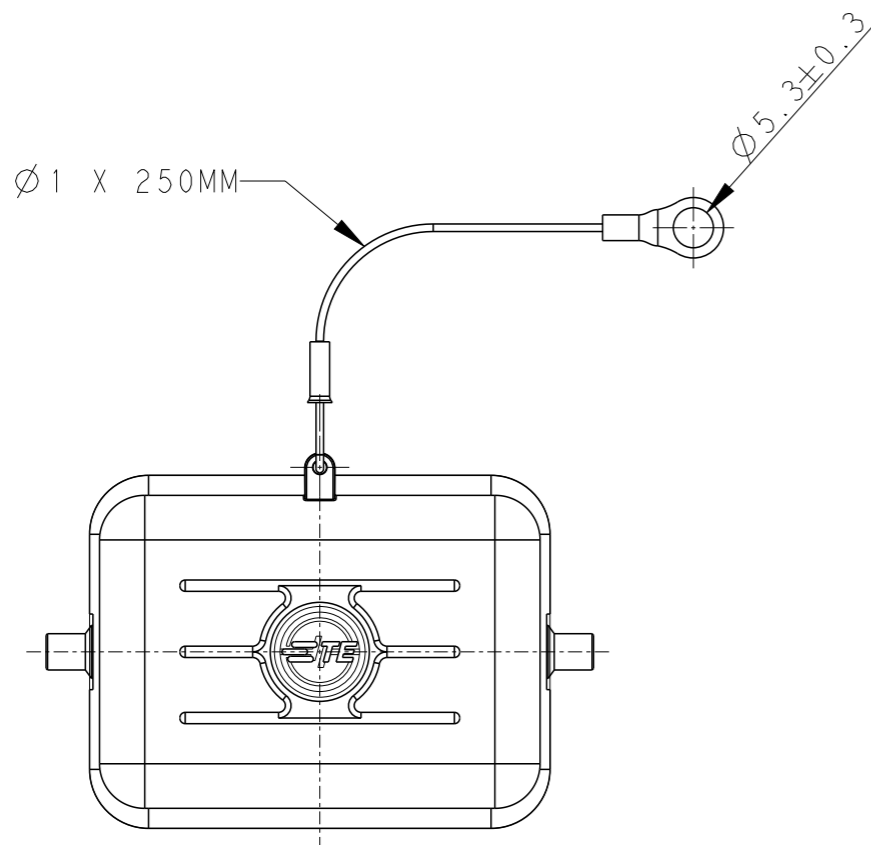
20

© COPYRIGHT 20 BY -

ALL RIGHTS RESERVED.

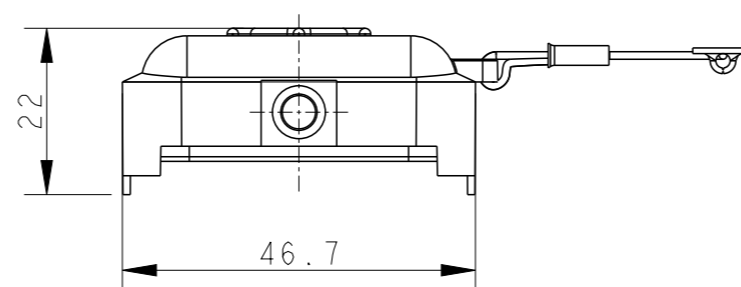
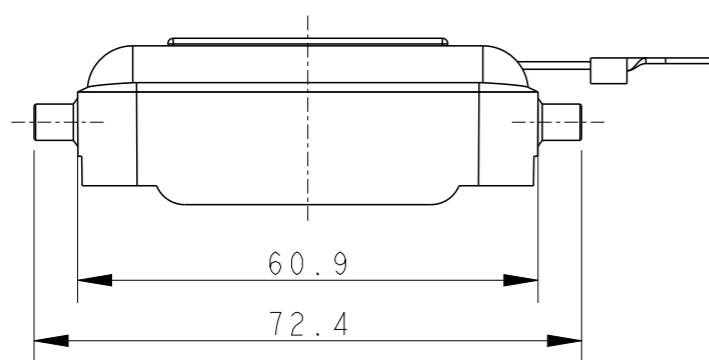
REVISIONS

P	LTR	DESCRIPTION	DATE	DWN	APVD
	A	INITIAL	08JUN2015	DW	CW
	A1	ECR-22-133707	07APR2022	SQ	SL



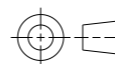
NOTES:
 1. TECHNICAL CHARACTERISTICS:
 COVER MATERIAL: PC
 OPERATION TEMPERATURE: -40-+125°C

注释:
 1. 技术参数:
 保护盖材料: PC
 工作温度: -40-+125°C



THIS DRAWING IS A CONTROLLED DOCUMENT.

DIMENSIONS:
mm



TOLERANCES UNLESS OTHERWISE SPECIFIED:

0 PLC	±-
1 PLC	±-
2 PLC	±-
3 PLC	±-
4 PLC	±-
ANGLES	- ±

MATERIAL

-

FINISH

-

DWN 08JUN2015

David Wang

CHK 08JUN2015

Chris Wang

APVD 08JUN2015

Xiang Xu

PRODUCT SPEC

-

APPLICATION SPEC

-

WEIGHT

-

Customer Drawing



TE Connectivity

NAME
 H6B-KDB
 H6B HOUSING PLASTIC PROTECTION
 COVER

SIZE	CAGE CODE	DRAWING NO	RESTRICTED TO
------	-----------	------------	---------------

A300779	C	T1010062100000	-
---------	---	----------------	---

SCALE	SHEET	OF	REV
1:1	1	1	A1

单击下面可查看定价，库存，交付和生命周期等信息

[>>TE Connectivity\(泰科\)](#)