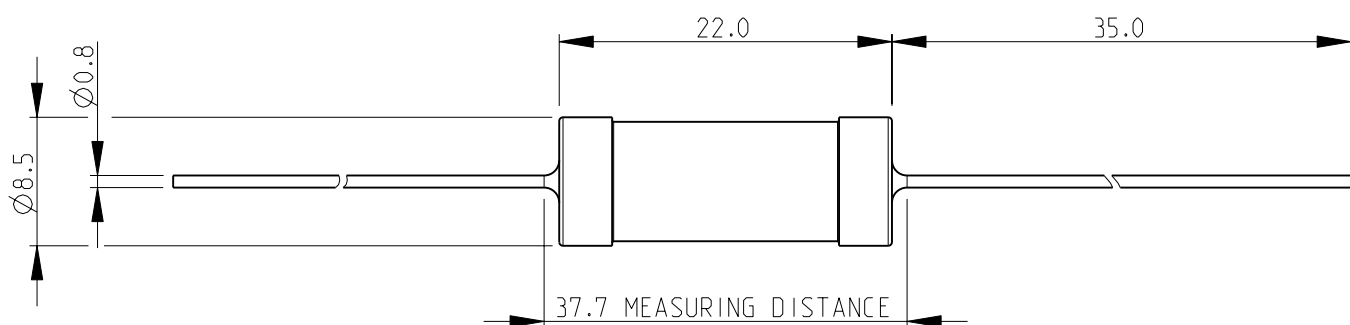
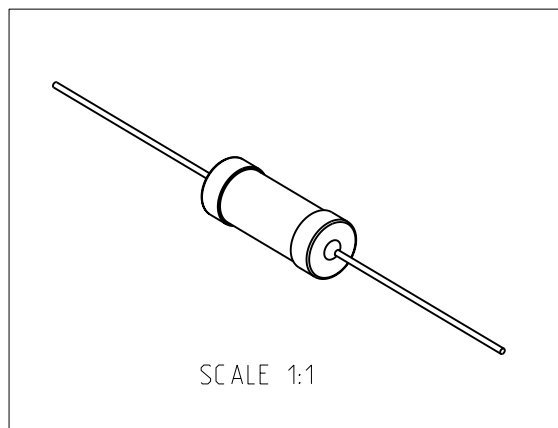


| | | | | | | | |
|-----|------|-----------|-----|-------------|-----------|-----|------|
| LOC | DIST | REVISIONS | | | | | |
| E | B | P | LTR | DESCRIPTION | DATE | DWN | APVD |
| | | | BA | NEW RELEASE | 18-NOV-08 | SM | St.P |

FOR FURTHER INFORMATION SEE DATA SHEET FOR
C SERIES-HIGH POWER RESISTORS



RoHS Compliant



2008

RELEASED FOR PUBLICATION

THIS DRAWING IS UNPUBLISHED.

© COPYRIGHT 2008 BY TYCO ELECTRONICS CORPORATION. ALL RIGHTS RESERVED.

| | | | | | | | |
|--|-------|------------------|------------------|--|---|-----------|---------------|
| DIMENSIONS: mm | DWN | SUBHASH.M | 18-NOV-08 | MATERIAL | - | FINISH | - |
| | CHK | PRAKASH.S | 18-NOV-08 | Tyco Electronics Corporation Dorcan, Swindon, SN3 5HH | | | |
| TOLERANCES UNLESS OTHERWISE SPECIFIED: | APVD | STEPHEN.P | 18-NOV-08 | | | | |
| | 0 PLC | ±0.2 | PRODUCT SPEC | - | NAME HIGH POWER RESISTORS SERIES C7 | | |
| 1 PLC | ±0.1 | APPLICATION SPEC | - | | | | |
| 2 PLC | ± | WEIGHT | - | SIZE | A 4 | CAGE CODE | 00779 |
| 3 PLC | ± | | CUSTOMER DRAWING | DRAWING NO | C-1623772 | | RESTRICTED TO |
| 4 PLC | ± | | | SCALE | 2:1 | SHEET | 1 OF 1 |
| ANGLES | ±5° | | | | | | |

单击下面可查看定价，库存，交付和生命周期等信息

[>>TE Connectivity\(泰科\)](#)