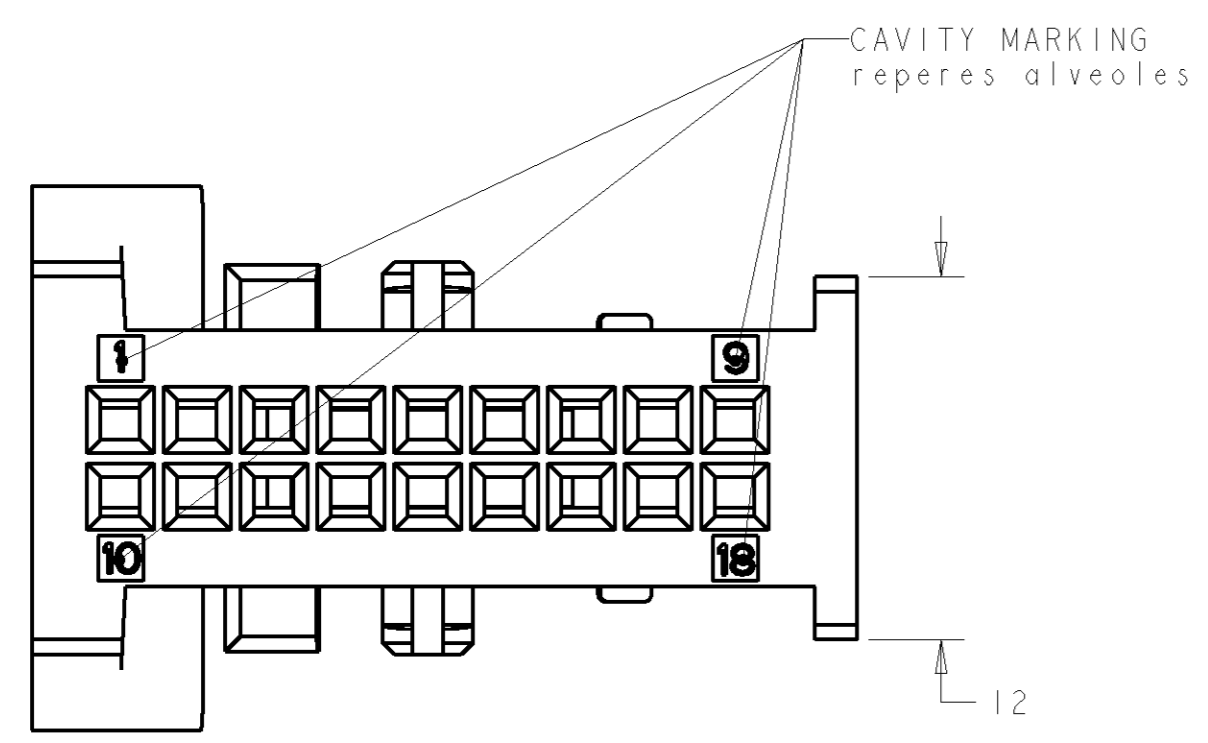
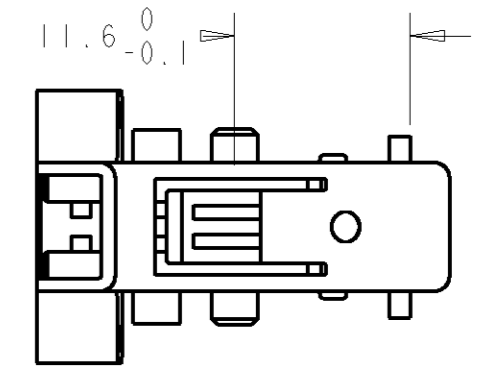
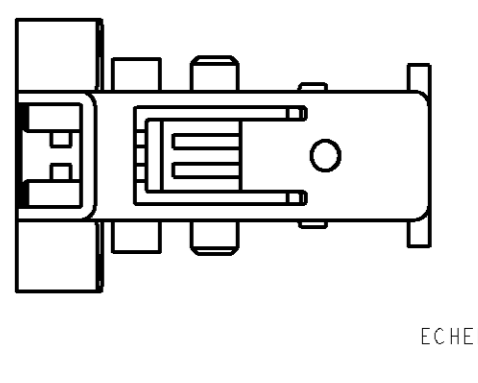
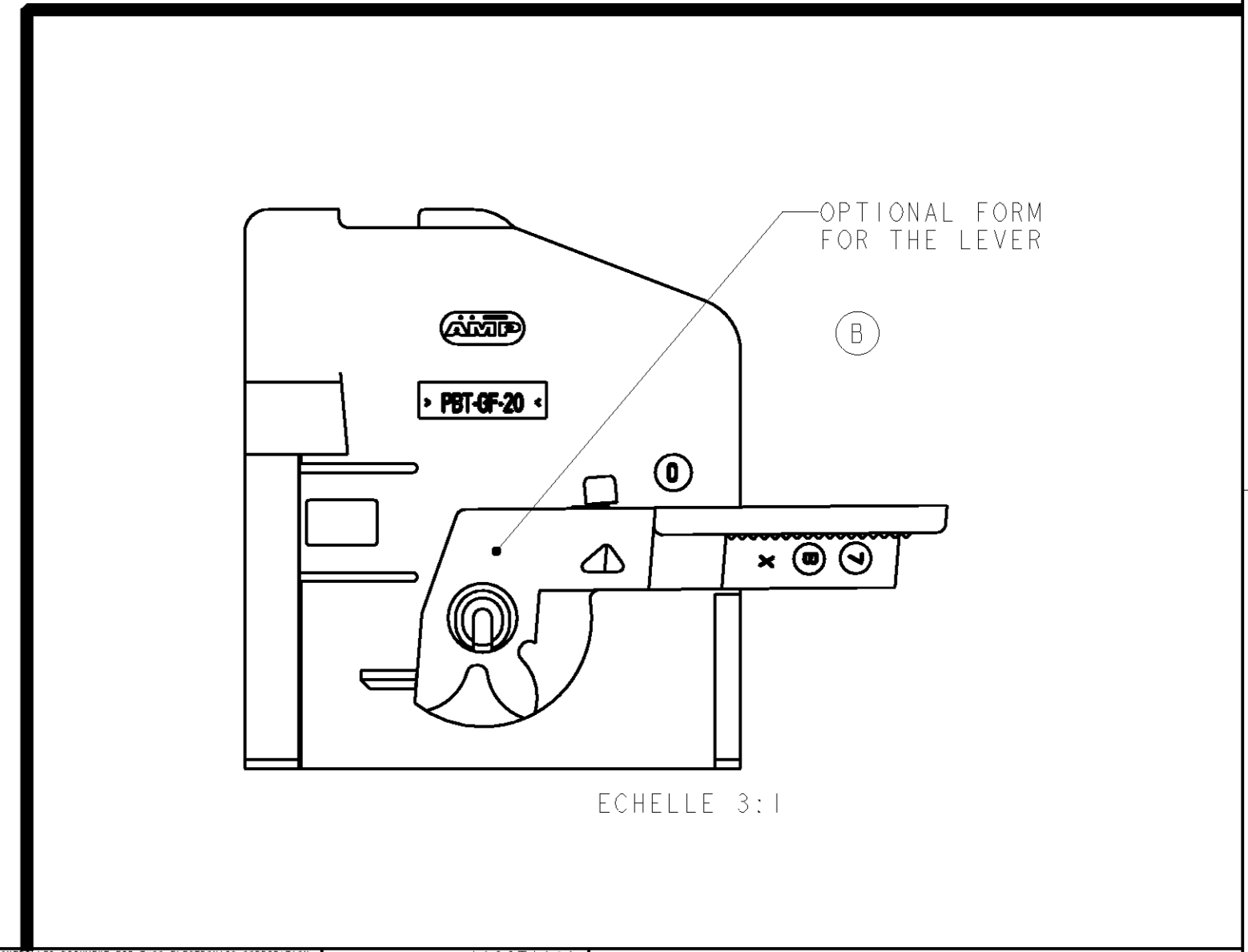
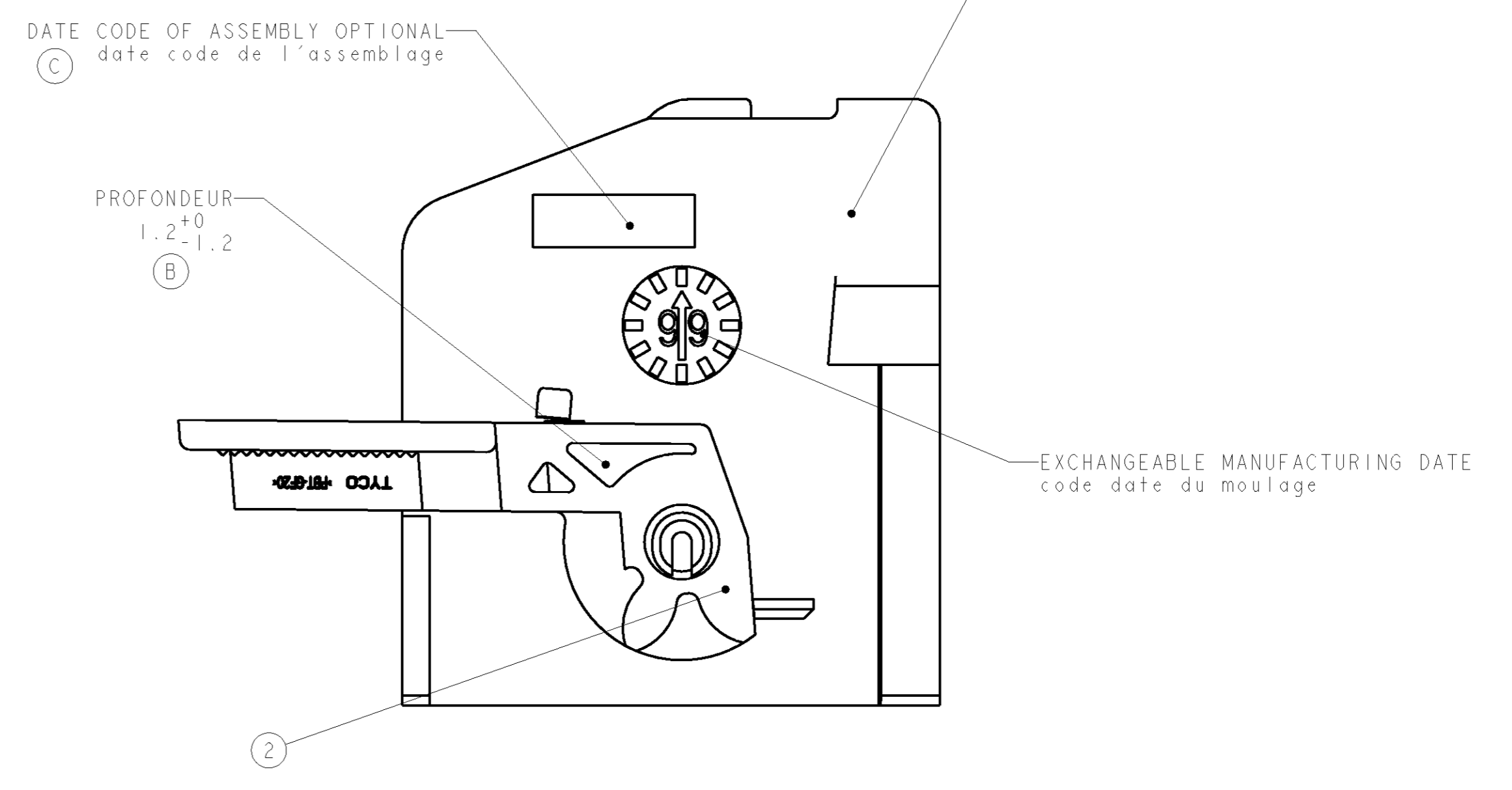
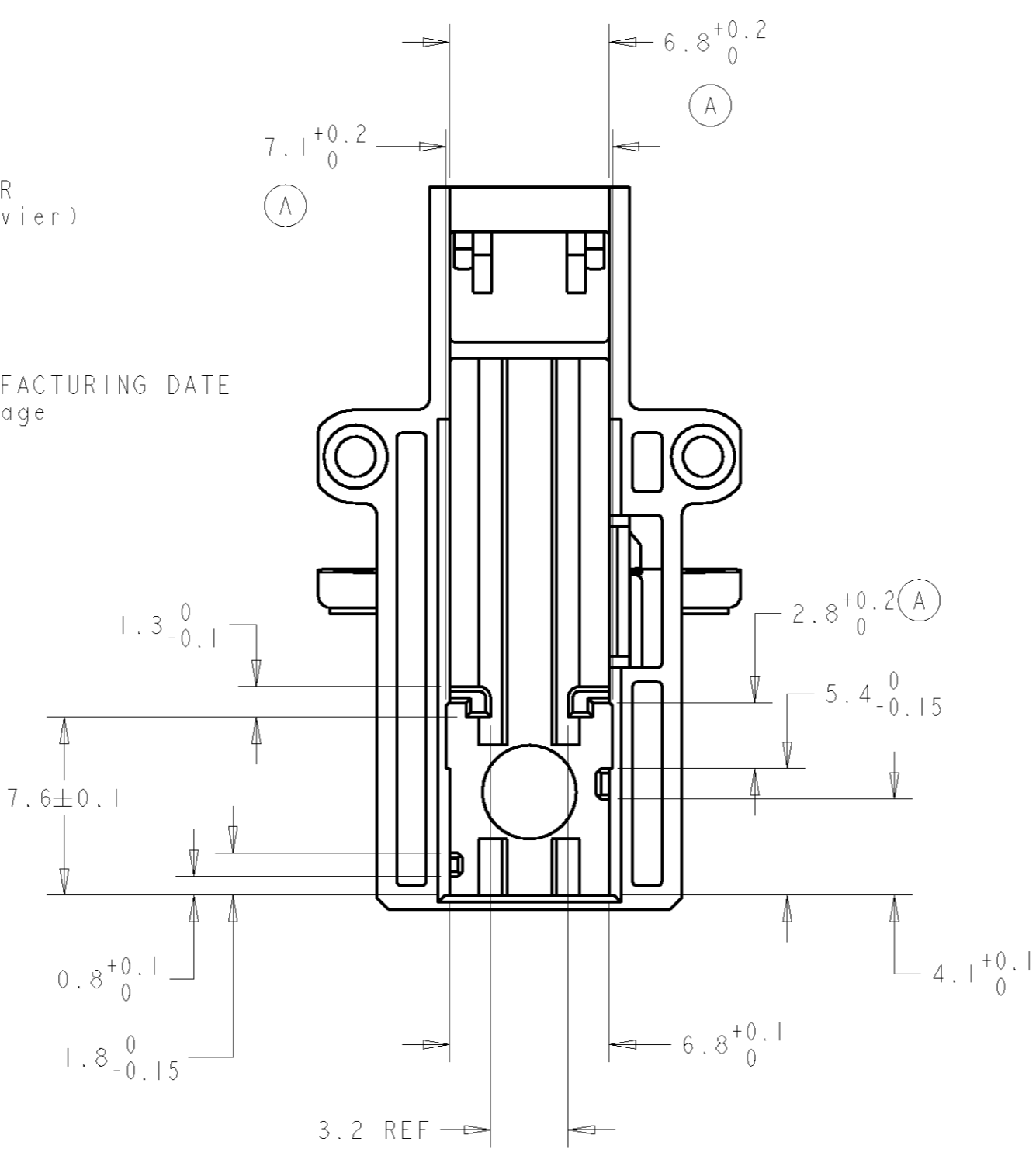
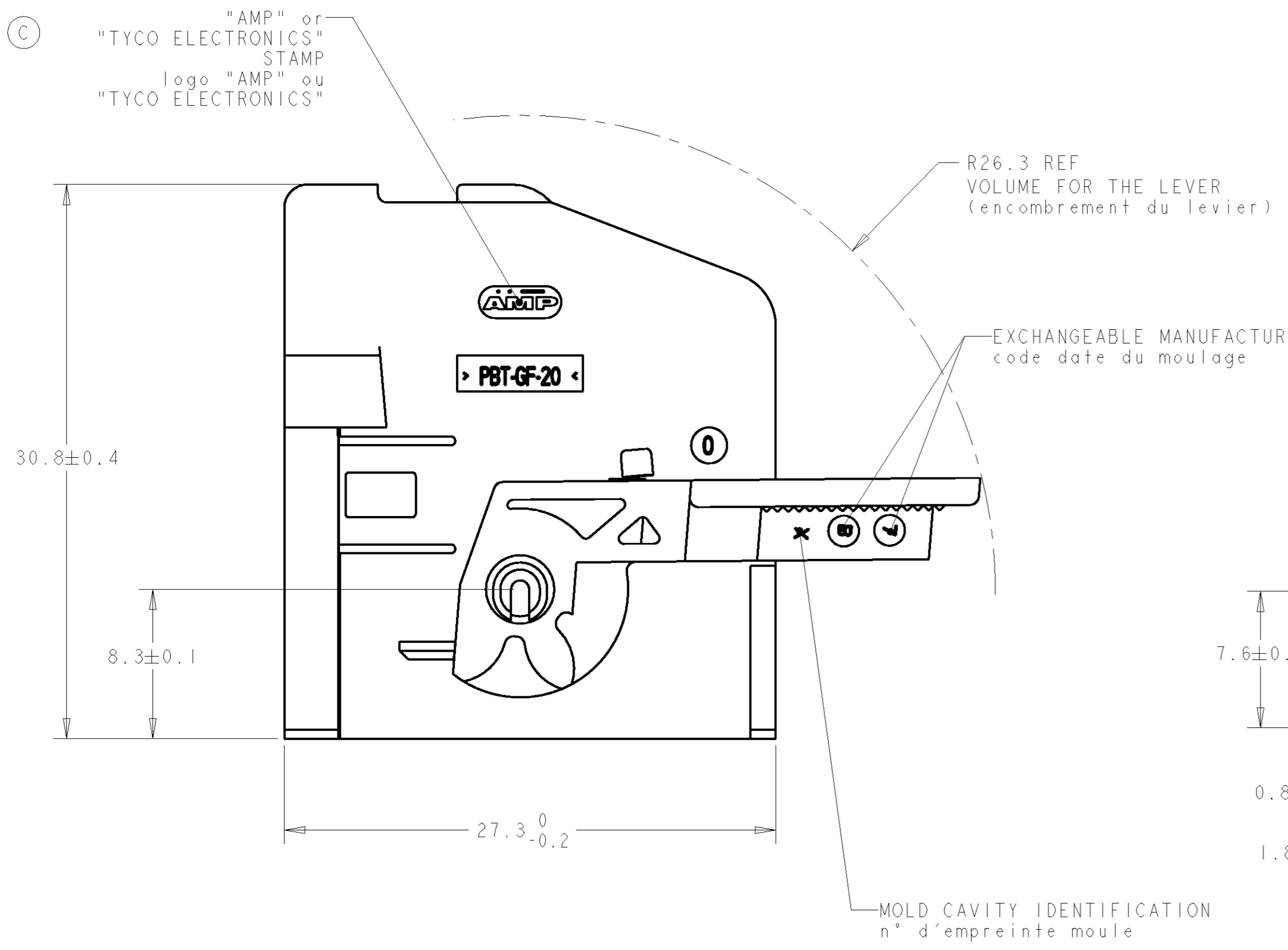


LOC		DIST		REVISIONS				
F	00	REV	DATE	BY	CHKD	APPV	REVISIONS	
		A	18APR2001	MP	JL		ADDED 2.8+0.2/-0; 7.1+0.2/-0	
		B	02DEC2002	MP	AA		ADDED OPTIONAL FORM FOR THE LEVER	
		C	13JUL2007	MP	XR		ADDED ASSEMBLY DATE CODE	



DESCRIPTION designation	ITEM rep.	QTTY qte	MATERIAL matiere	TE PN ref TE	COLOR couleur	KEYING detrompage
LEVER levier	2	1	PBT GF 20%	1379100-2	BLACK noir	 ECHELLE 2:1
SHIELD levier	1	1	PBT GF 20%		WHITE blanc	
LEVER levier	2	1	PBT GF 20%	1379100-1	BLACK noir	 ECHELLE 2:1
SHIELD capot	1	1	PBT GF 20%		BLACK noir	



DIMENSIONS: mm TOLERANCES: UNLESS OTHERWISE SPECIFIED: 0 PLC / DEC: ±0.2 1 PLC / DEC: ±0.2 2 PLC / DEC: ±0.2 3 PLC / DEC: ±0.2 4 PLC / DEC: ±0.2 ANGLES: °		FINISH: - FINITION: -		WEIGHT: - MASSES APPROX. 3.5g		CUSTOMER DRAWING / PLAN CLIENT	
DWG / DESSINE: DOCT1999 M. POLIFONTE CHK / VERIFIE: J. LALANGE APVD / APPROUVE: J. LALANGE PRODUCT SPEC: - SPEC - PRODUCT: 108-15262 APPLICATION SPEC: - SPEC. APPLICATION: 411-15554		NAME: SHIELD+LEVER FOR 18 POS (0) ASSY GENE II PORTE-MODULE 18 VOIES MOS GENE II (0) ASSY		SIZE: - CASE CODE: - DRAWING NO: A100779 No PLAN: 1379100		RESTRICTED TO RESERVE A SHEET OF 16 REV C	

单击下面可查看定价，库存，交付和生命周期等信息

[>>TE Connectivity\(泰科\)](#)