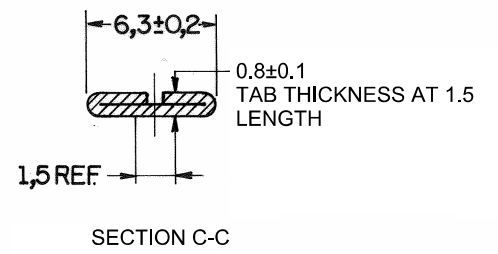
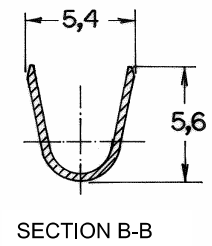
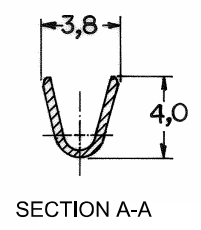
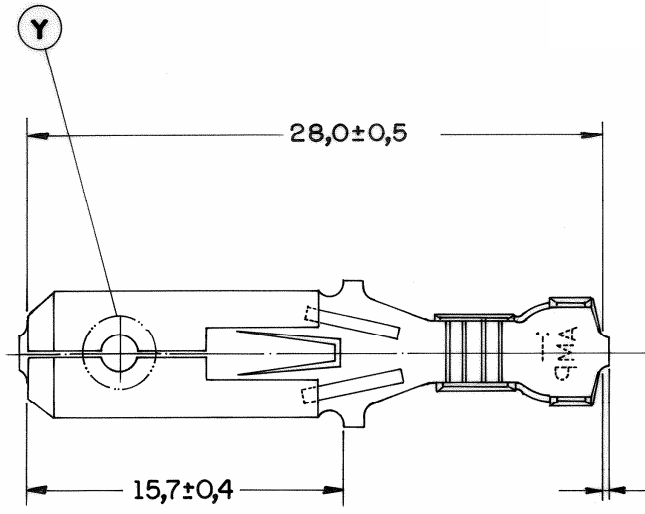


C-880654
1 of 1

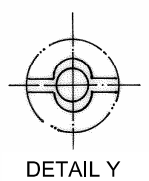
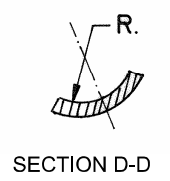
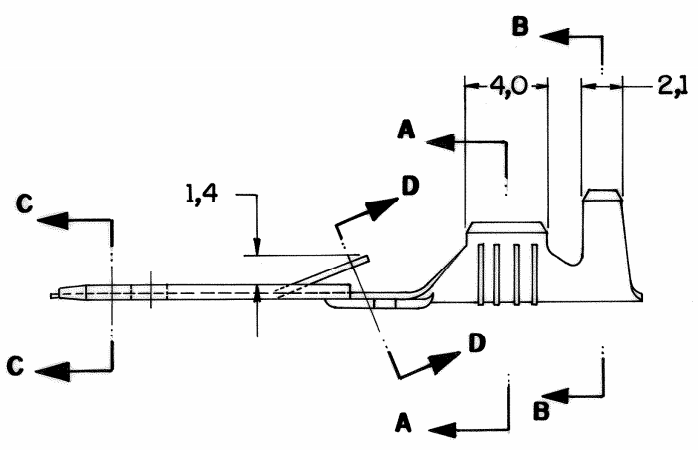
DO NOT SCALE
DIMENSIONS IN mm.

3rd ANGLE PROJECTION

REV	DESCRIPTION	DATE	DWN	APVD
A1	REVISED PER ECO-14-014586	30SEP2014	NK	TD



1 ORIGINAL STRIP FORM PART NUMBER 880636.



OPTIONAL CONSTRUCTION

OBSOLETE	PRATEADO SILVER-PLATED	BRONZE FOSE PHOS.BRONZE	8
	PRATEADO SILVER-PLATED	LATÃO BRASS	7
	PRÉ-ESTANHADO PRE-TIN	BRONZE FOSE PHOS.BRONZE	6
	PRÉ-ESTANHADO PRE-TIN	LATÃO BRASS	5
	ESTANHADO ELECTRO-TIN	BRONZE FOSE PHOS.BRONZE	4
	ESTANHADO ELECTRO-TIN	BRONZE FOSE PHOS.BRONZE	3
	ESTANHADO ELECTRO-TIN	LATÃO BRASS	2
		LATÃO BRASS	880654
FINISH		MATERIAL	PART NUMBER

TOLERANCES UNLESS OTHERWISE STATED		INS. DIA. RANGE	WIRE RANGE	SCALE
DEC. ± 0,3 ANGLES ± 1°		2,7-3,7 mm	>1,0-2,5mm	4:1
DR. D. A. Rocha 28-DEC-94		TE Connectivity		
CHK. 17-MAR-95 J.R. FOLDSCHMIDT				
DE. 20 MAR. 95 H.B. VASCONCELLOS				
APP. 20 MAR 95				
DESCRIPTION		TERMINAL .250 SERIES		
FASTIN-FASTON TAB LOOSE PIECE				
CUSTOMER DWG for REFERENCE ONLY	APP. 20 MAR 95	A3	SHEET 1 OF 1	DWG NO C-880654 REV A1

单击下面可查看定价，库存，交付和生命周期等信息

[>>TE Connectivity\(泰科\)](#)