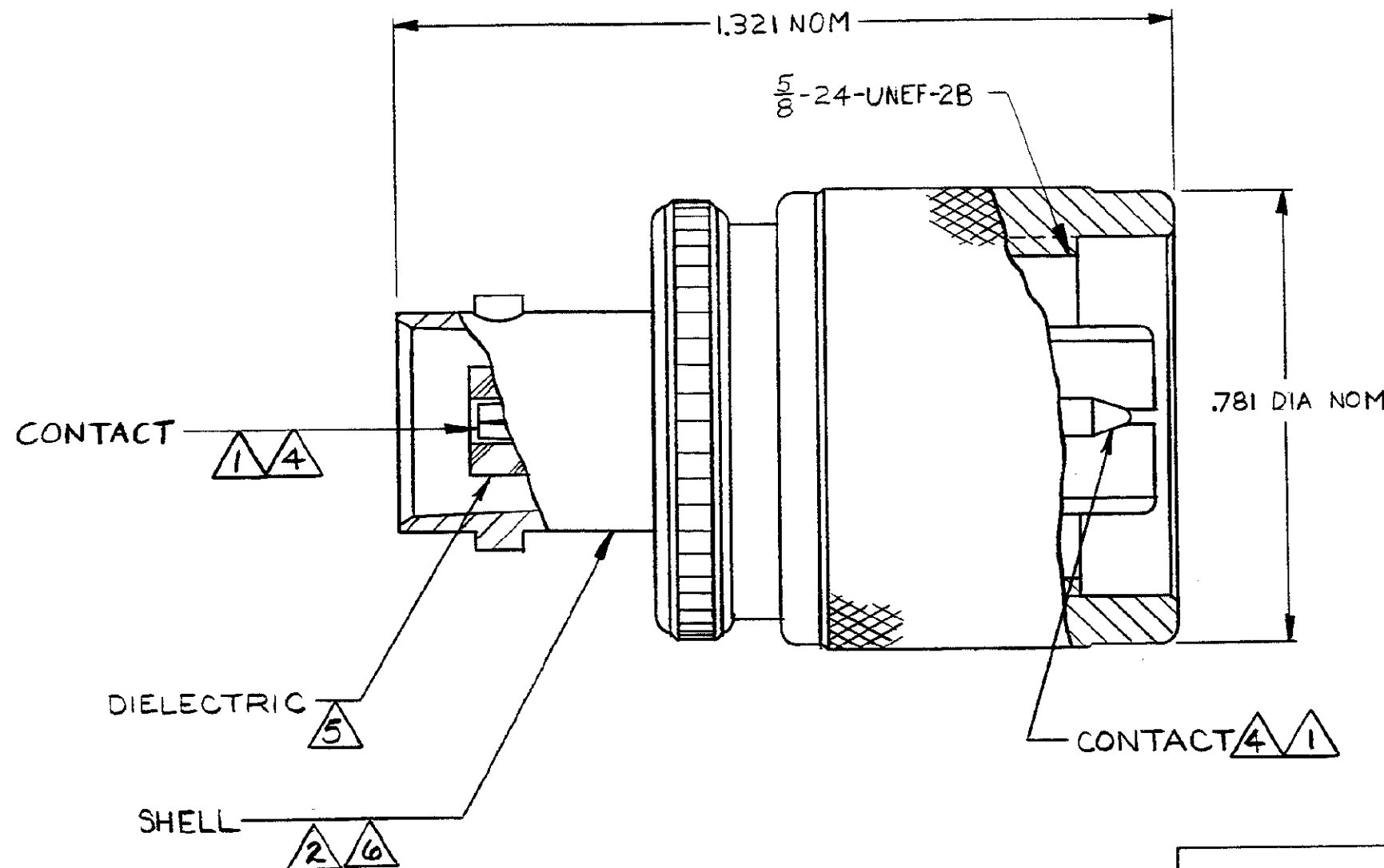


THIS DRAWING IS UNPUBLISHED. RELEASED FOR PUBLICATION

© COPYRIGHT 19 BY AMP INCORPORATED, HARRISBURG, PA. ALL INTERNATIONAL RIGHTS RESERVED. AMP PRODUCTS MAY BE COVERED BY U.S. AND FOREIGN PATENTS AND/OR PATENTS PENDING.

REVISIONS						
P	F	ZONE	LTR	DESCRIPTION	DATE	APPROVED
			0	RELEASED PR 87-3513-003	5/28/87	RHA/DH
			A	REV PER AJ-2864	10-12-87	Lam/DH



- ① GOLD PL PER MIL-G-45204, .000030 THK.
- ② NICKEL PL PER QQ-N-290
- ③ COMPARABLE UG/U CONNECTOR: 201 A/U
- ④ BERYLLIUM COPPER
- ⑤ PTFE
- ⑥ BRASS

222321-1
PART NO

UNLESS OTHERWISE SPECIFIED DIMENSIONS ARE IN INCHES. TOLERANCES ON: DECIMALS ± — ANGLES ± —	CONTRACT NO	AMP AMP INCORPORATED Harrisburg, Pa.		
	DR <i>Ray Alexander</i> 5/29/87			
	MATERIAL	CHK <i>J.S. Heide</i> 6/2/87	NAME	
	③ THRU ⑤	APPD <i>Don Whittle</i> 6-2-87	ADAPTER, BNC JACK TO N PLUG	
FINISH	APPD <i>W. Sand</i> 9/1/87	SIZE	FSCM NO	DRAWING NO
① ②	DSGN APPD	B	00779	222321-1
	OTHER APPD	SCALE 4:1		SHEET 1 OF 1

单击下面可查看定价，库存，交付和生命周期等信息

[>>TE Connectivity\(泰科\)](#)