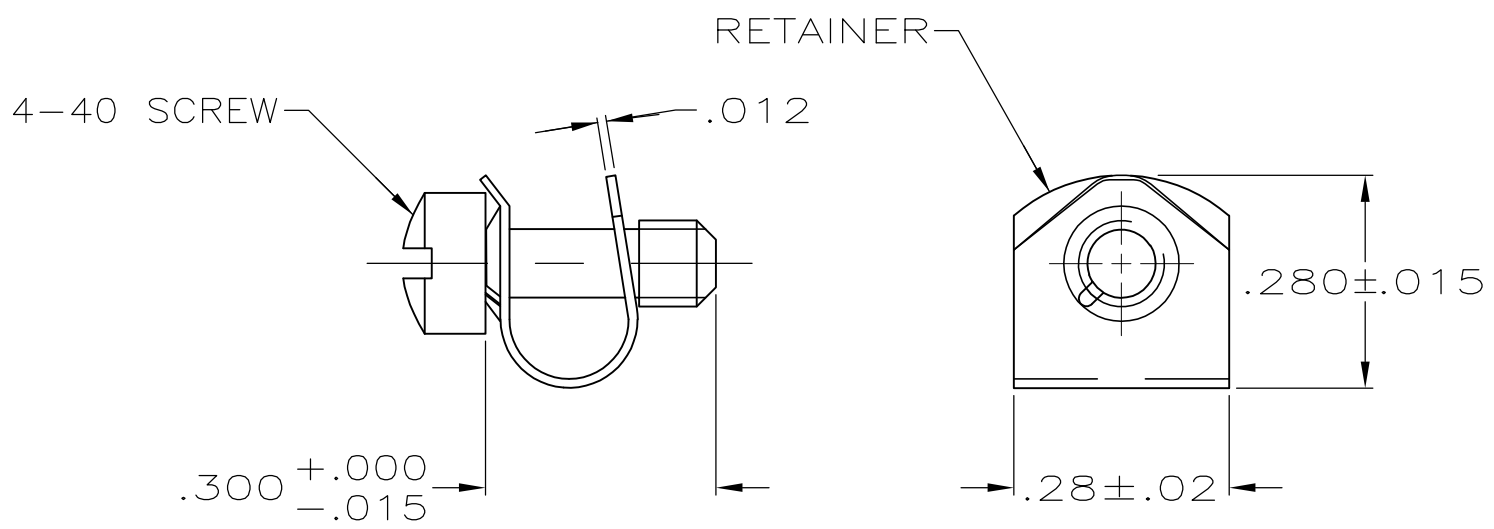


THIS DRAWING IS UNPUBLISHED. RELEASED FOR PUBLICATION  
 © COPYRIGHT - By - ALL RIGHTS RESERVED.

LOC	DIST	REVISIONS			
P	LTR	DESCRIPTION	DATE	DWN	APVD
GP	00	A1	REVISED PER ECO-11-004835	11MAR11	RK HMR



- ① SCREW: CARBON STEEL.  
RETAINER: STAINLESS STEEL.
- ② SCREW: ZINC PLATED .000200-.000400 THICK, CLEAR CHROMATE COATING.
- ③ 2 EACH PACKAGED UNASSEMBLED AS A UNIT KIT.
- ④ INDIVIDUALLY BULK PACKAGED UNASSEMBLED AND SHIPPED AS A UNIT PACKAGE.

④	5746881-2
③	5746881-1
PACKAGING	PART NUMBER

**COPYRIGHT 2005  
 TE CONNECTIVITY CORP  
 ALL RIGHTS RESERVED**

THIS DRAWING IS A CONTROLLED DOCUMENT.		DWN	J.GERACE	14OCT05	<b>TE Connectivity</b>												
DIMENSIONS: INCHES		CHK	C.ROHDE	14OCT05													
TOLERANCES UNLESS OTHERWISE SPECIFIED:		APVD	M.WALMSLEY	14OCT05													
<table border="0"> <tr><td>0 PLC</td><td>± -</td></tr> <tr><td>1 PLC</td><td>± -</td></tr> <tr><td>2 PLC</td><td>± -</td></tr> <tr><td>3 PLC</td><td>± .005</td></tr> <tr><td>4 PLC</td><td>± -</td></tr> <tr><td>ANGLES</td><td>± -</td></tr> </table>		0 PLC	± -	1 PLC				± -	2 PLC	± -	3 PLC	± .005	4 PLC	± -	ANGLES	± -	PRODUCT SPEC
0 PLC	± -																
1 PLC	± -																
2 PLC	± -																
3 PLC	± .005																
4 PLC	± -																
ANGLES	± -																
MATERIAL	FINISH	APPLICATION SPEC	SIZE	CAGE CODE	DRAWING NO	RESTRICTED TO											
①	②	WEIGHT	A3	00779	C-5746881	-											
CUSTOMER DRAWING			SCALE	4:1	SHEET	1 OF 1											
			REV	A1													

单击下面可查看定价，库存，交付和生命周期等信息

[>>TE Connectivity\(泰科\)](#)

[>>点击查看相关商品](#)