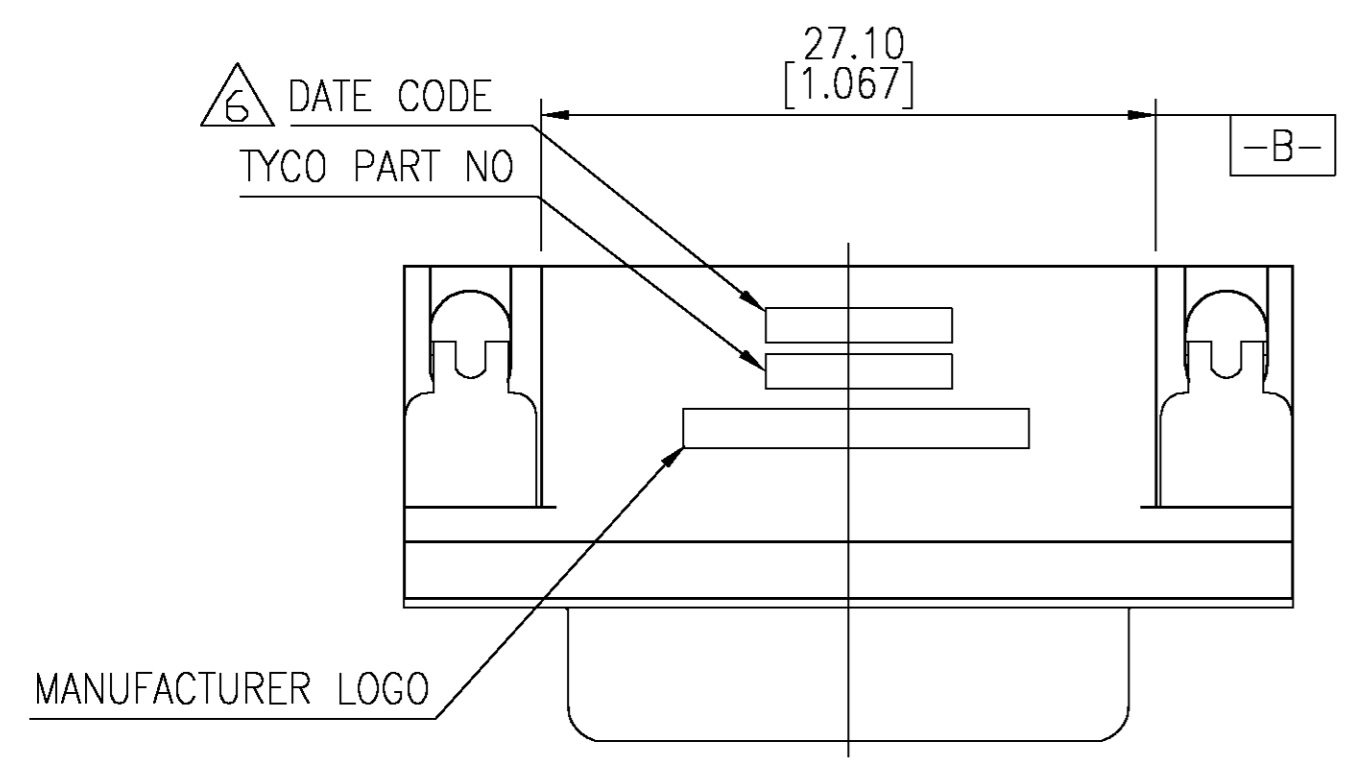


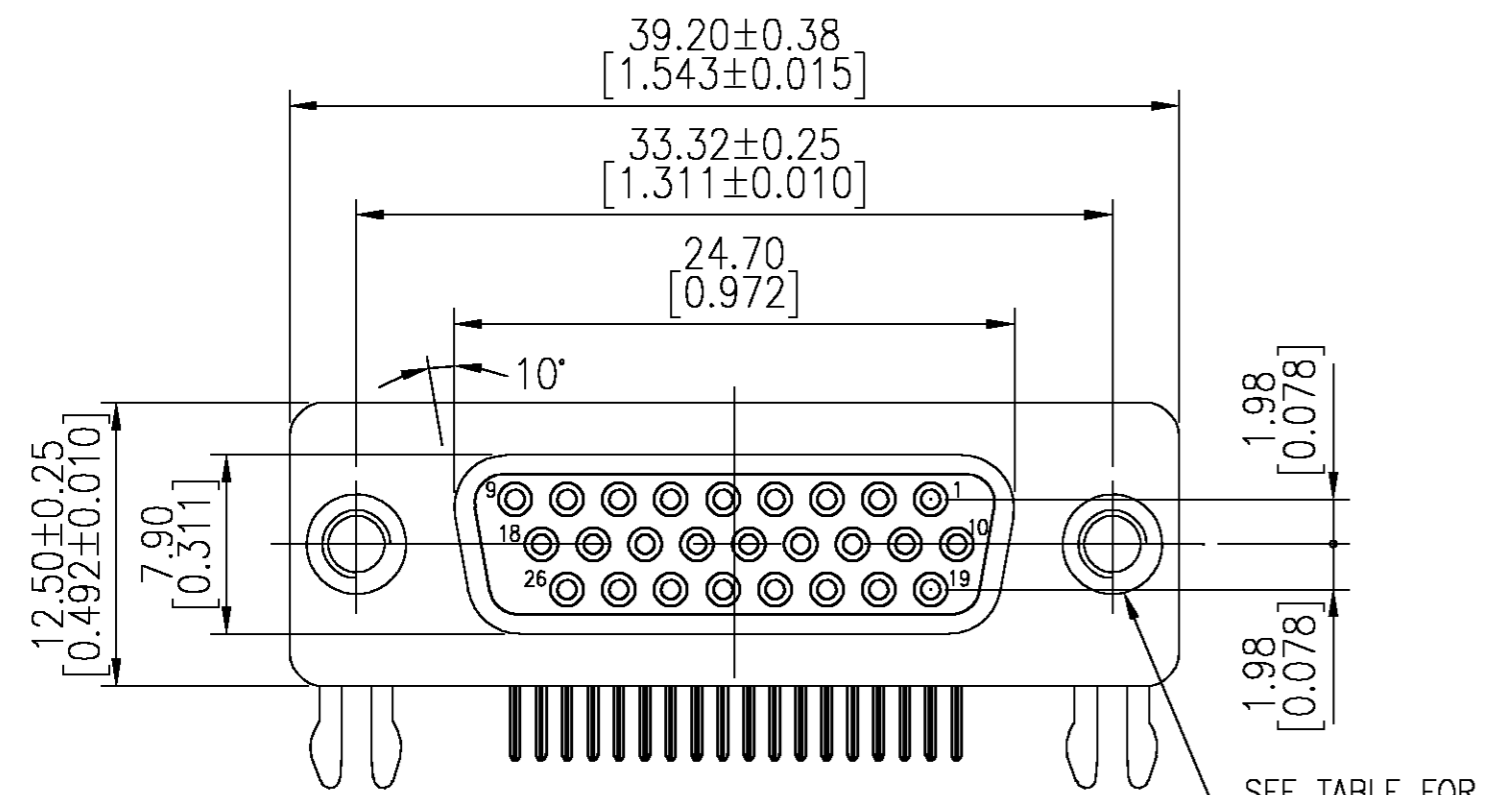
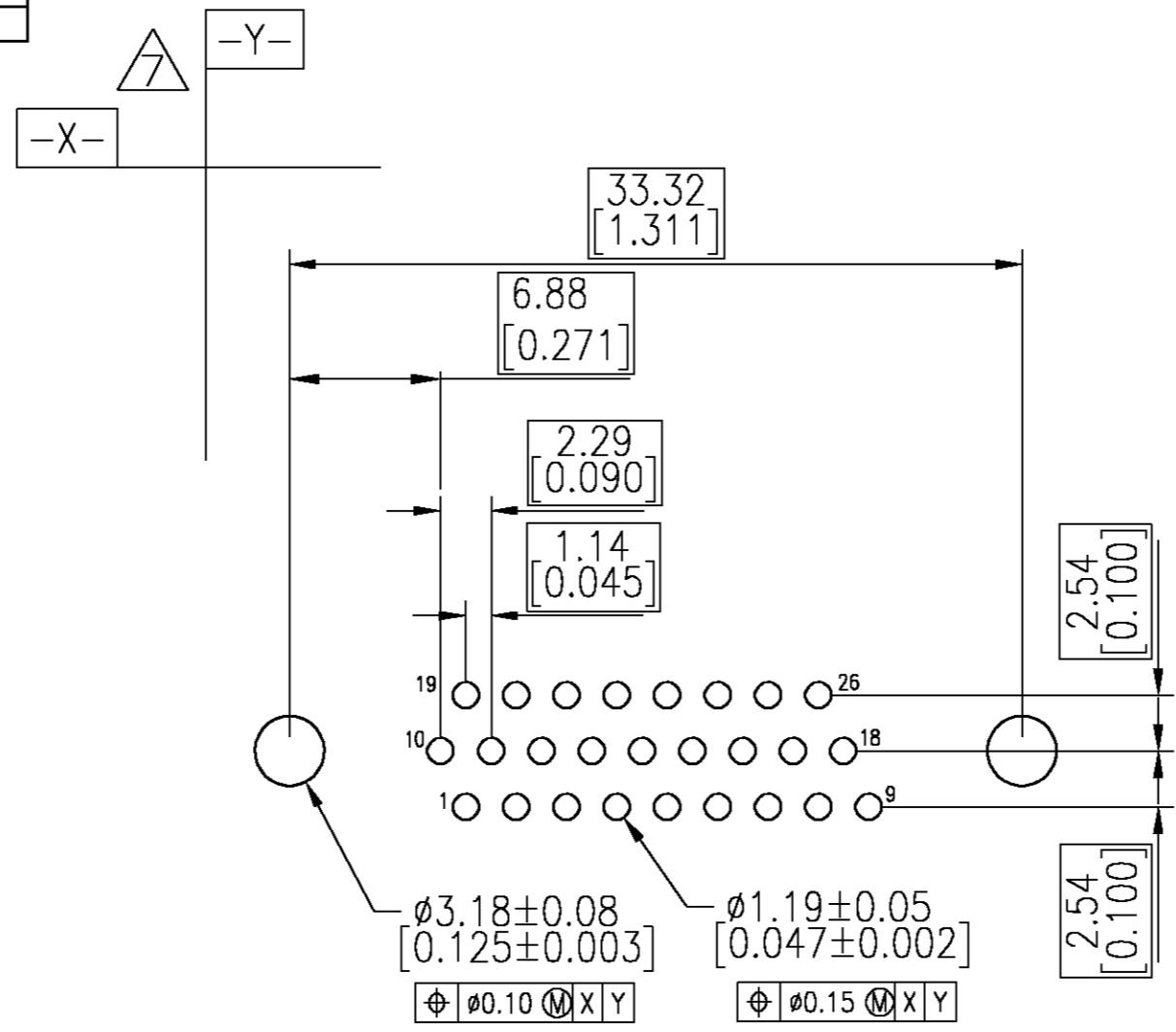
THIS DRAWING IS UNPUBLISHED. RELEASED FOR PUBLICATION  
 © COPYRIGHT BY TYCO ELECTRONICS CORPORATION. ALL RIGHTS RESERVED.

Loc		DIST		REVISIONS			
GP	00	P	LTR	DESCRIPTION	DATE	DWN	APVD
		0		RELEASED PER EC OS13-0056-05	31MAY05	RR	JG

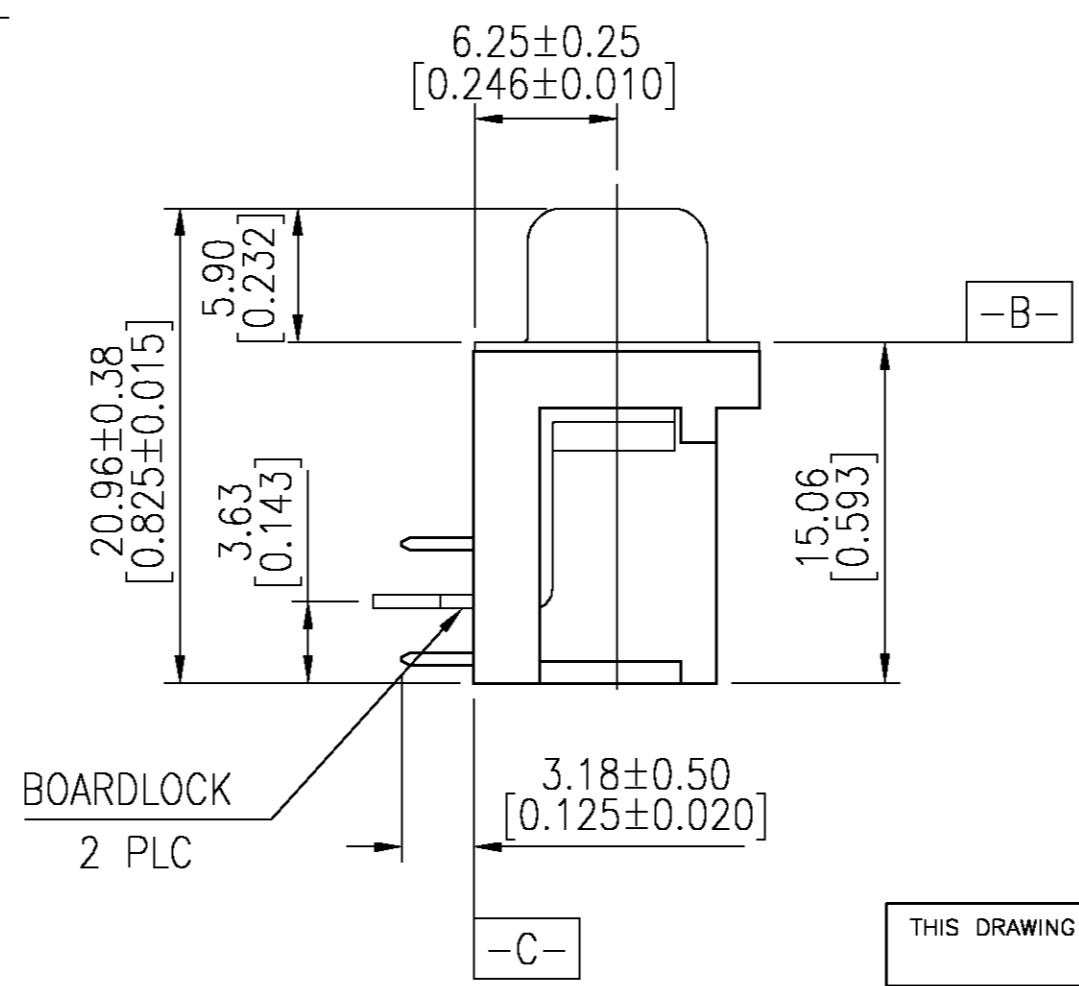
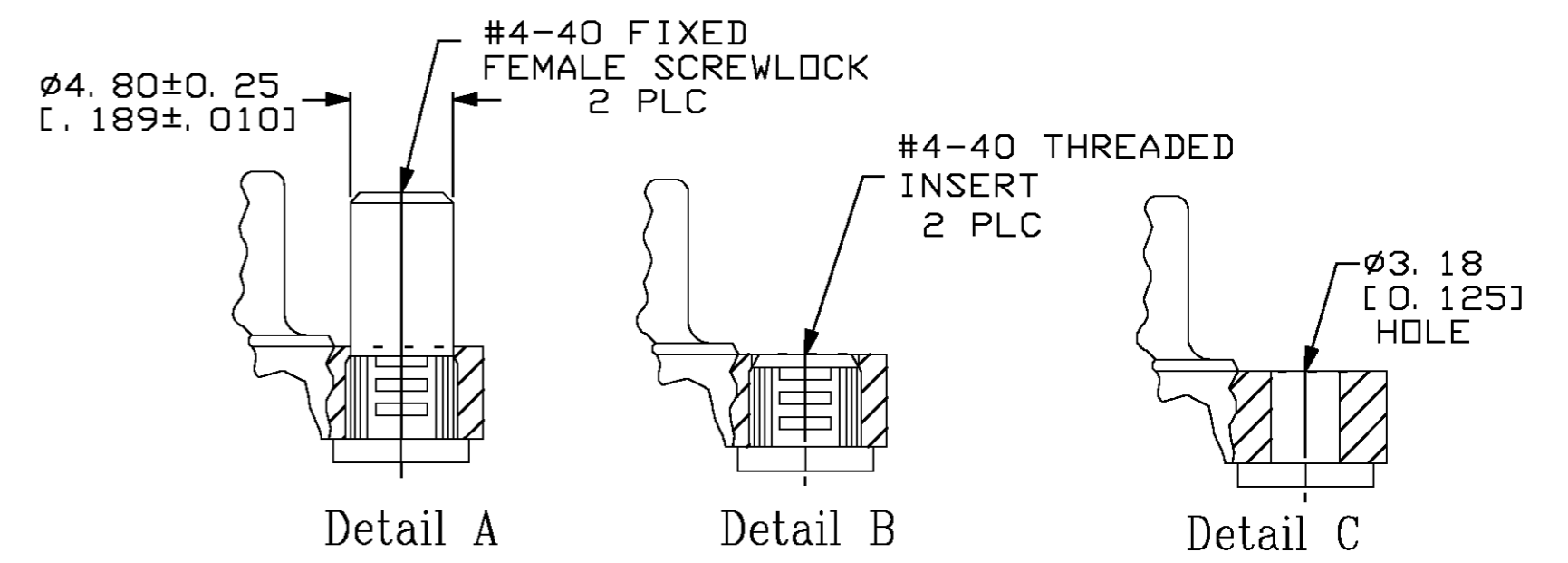
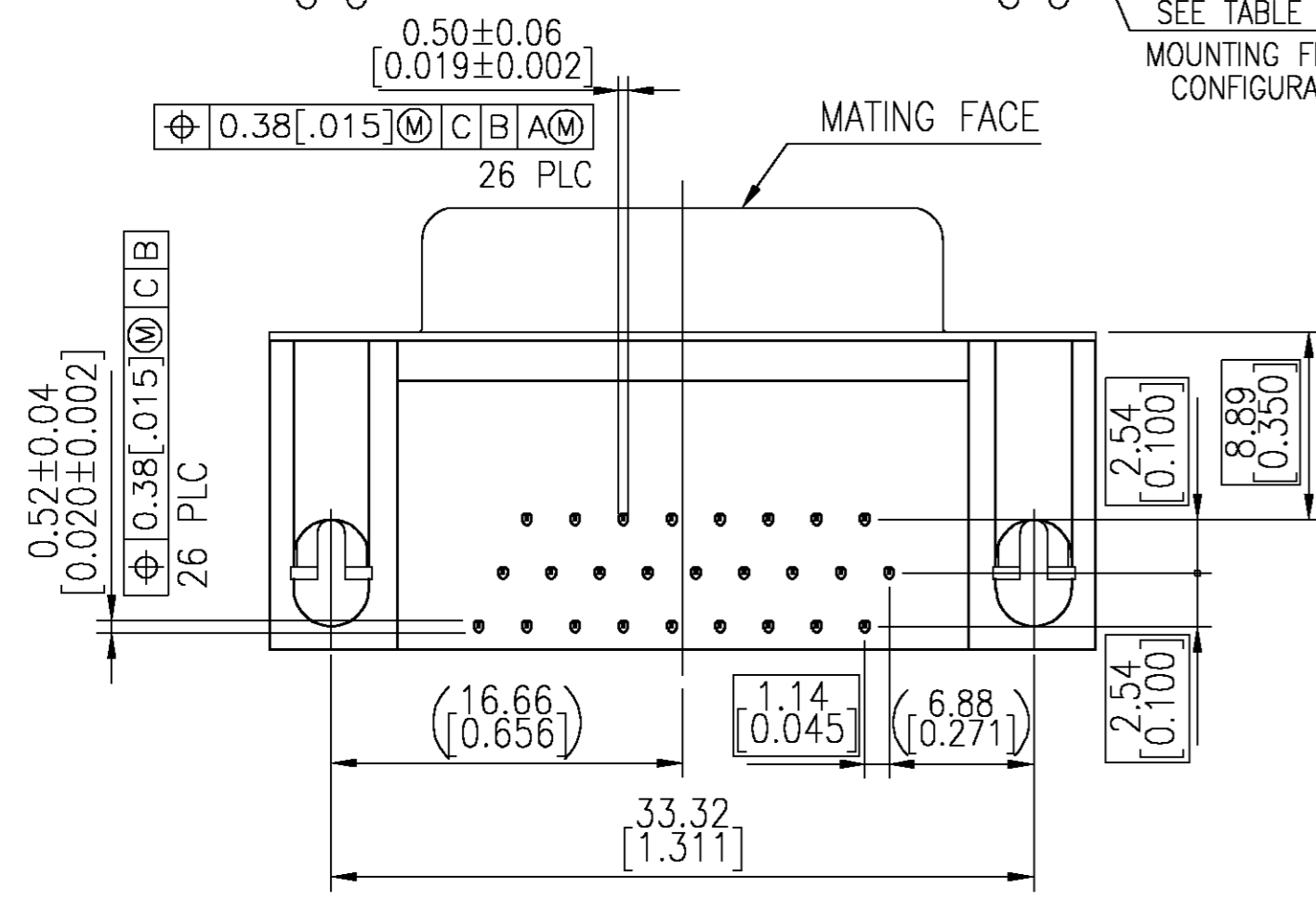
- HOUSING: PBT, 30% GF POLYESTER, UL 94V-0 RATED, COLOR BLACK.
- CONTACTS: PHOSPHOR BRONZE, GOLD PLATE IN MATING AREA (SEE TABLE), 120µ" MIN TIN PLATE ON SOLDER TAIL, BOTH OVER 50µ" MIN NICKEL UNDERPLATE.
- SHELL: STEEL, NICKEL PLATE.
- BOARDLOCK: BRASS, TIN PLATE 100µ" MIN.
- FEMALE SCREWLOCK: BRASS, NICKEL PLATE 30µ" MIN.
- FOUR DIGIT DATE CODE IN THIS FORMAT.  
 01 45  
 YEAR ———— MANUFACTURING WEEK
- DATUMS -X- & -Y- TO BE ESTABLISHED BY CUSTOMER.



MANUFACTURER LOGO



SEE TABLE FOR MOUNTING FLANGE CONFIGURATION



Tray	Detail C	Gold flash	2-5748481-7
Tray	Detail C	15 µ" MIN GOLD	2-5748481-6
Tray	Detail A	Gold flash	2-5748481-5
Tray	Detail A	15 µ" MIN GOLD	2-5748481-4
Tray	Detail B	Gold flash	2-5748481-3
Tray	Detail B	15 µ" MIN GOLD	2-5748481-2
Tray	Detail C	30 µ" MIN GOLD	1-5748481-9
Tray	Detail A	30 µ" MIN GOLD	5748481-6
Tray	Detail B	30 µ" MIN GOLD	5748481-5
Packaging	Mounting Flange	Contact Mating Area Finish	Part No

THIS DRAWING IS A CONTROLLED DOCUMENT.		DWN R.RICHARDSON 31MAY05	<b>tyco</b> Tyco Electronics Corporation	
DIMENSIONS: mm [INCHES]		CHK S.BOLASH 31MAY05	<b>Electronics</b> Harrisburg, Pa 17105-3608	
TOLERANCES UNLESS OTHERWISE SPECIFIED:		APVD M.WALMSLEY 31MAY05	NAME	
0 PLC ± -	1 PLC ± 0.30	PRODUCT SPEC	AMPLIMITE HD-22	
2 PLC ± 0.20	3 PLC ± 0.10	APPLICATION SPEC	26 POS RECEPTACLE, RIGHT ANGLE	
4 PLC ± -	ANGLES ± 2°	FINISH	SIZE A2	CAGE CODE 00779
MATERIAL	FINISH	WEIGHT	DRAWING NO C=5748481	RESTRICTED TO
			SCALE 1:1	SHEET 1 OF 1
CUSTOMER DRAWING		REV 0		

单击下面可查看定价，库存，交付和生命周期等信息

[>>TE Connectivity\(泰科\)](#)