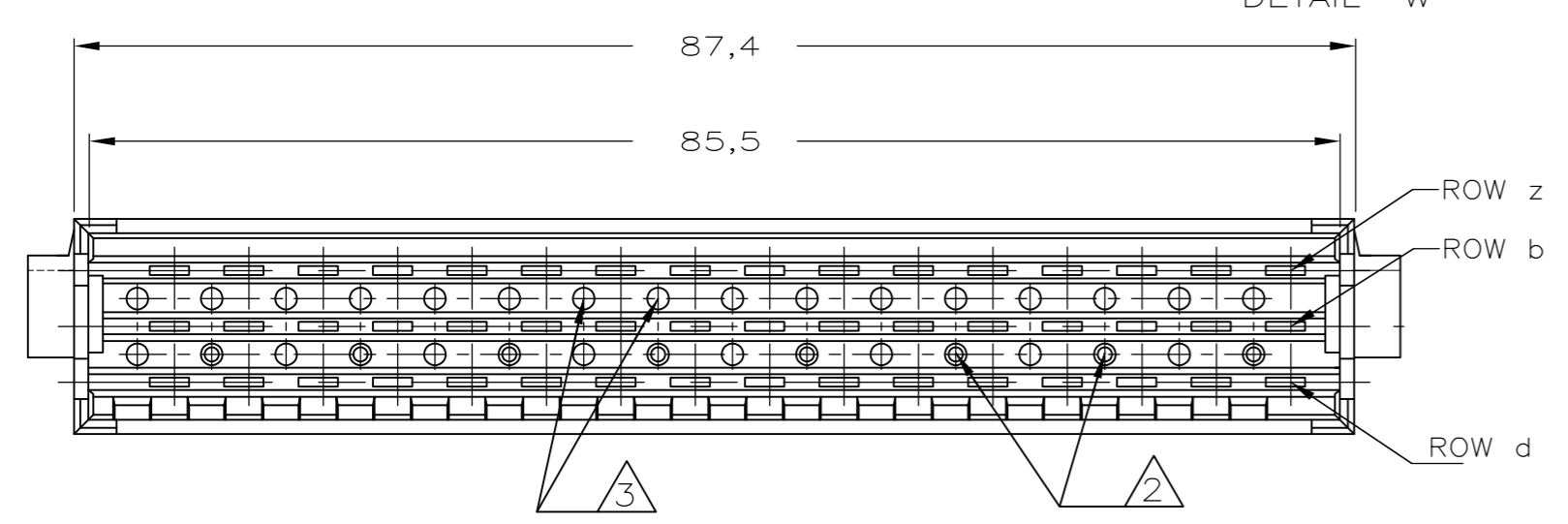
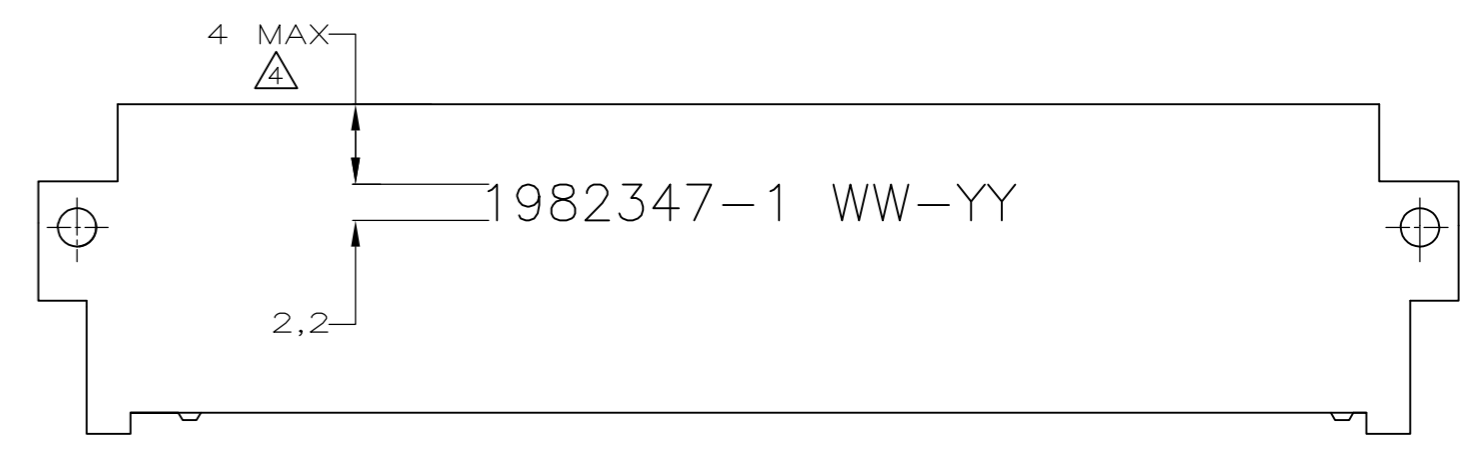
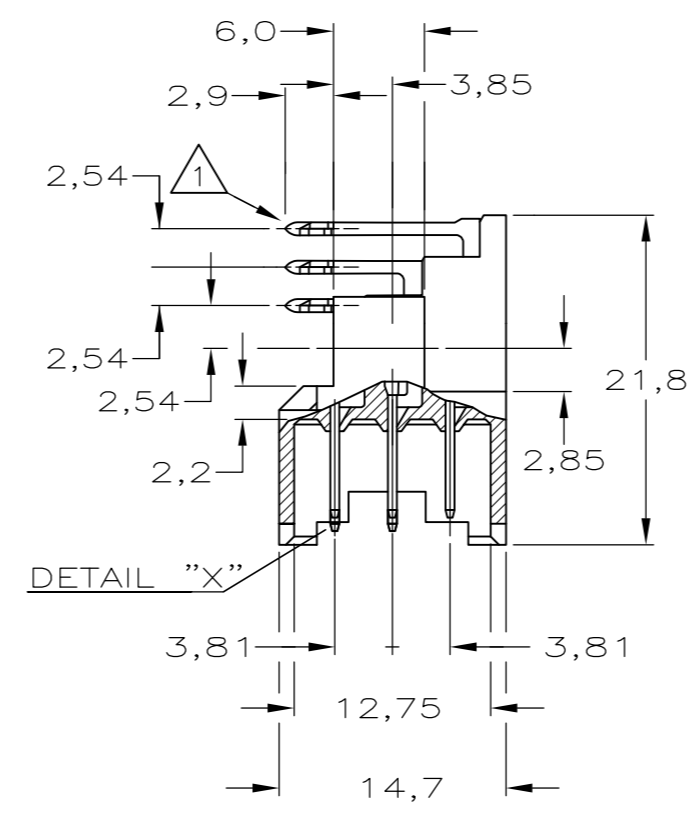
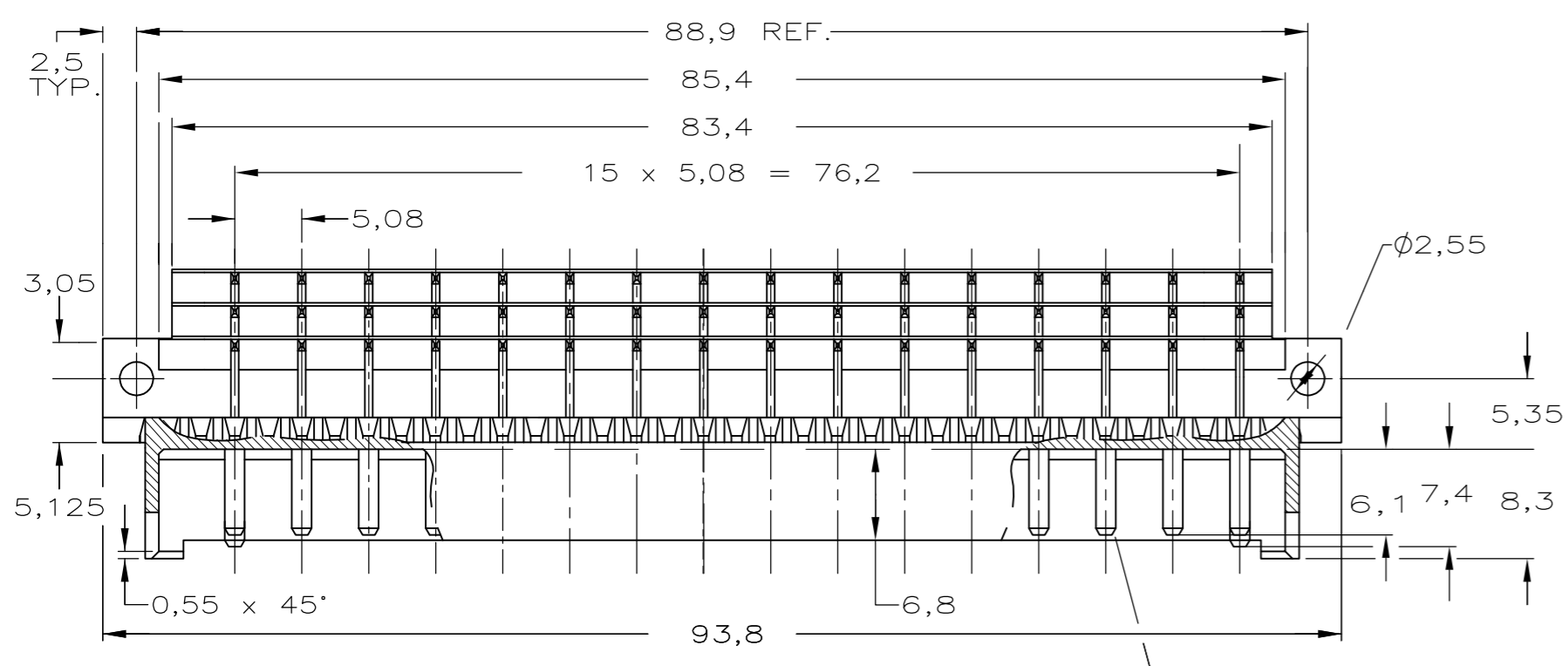


THIS DRAWING IS UNPUBLISHED. RELEASED FOR PUBLICATION
 © COPYRIGHT BY TYCO ELECTRONICS CORPORATION. ALL INTERNATIONAL RIGHTS RESERVED.

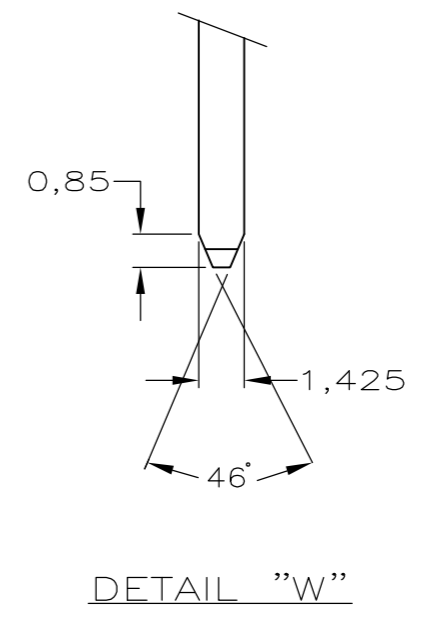
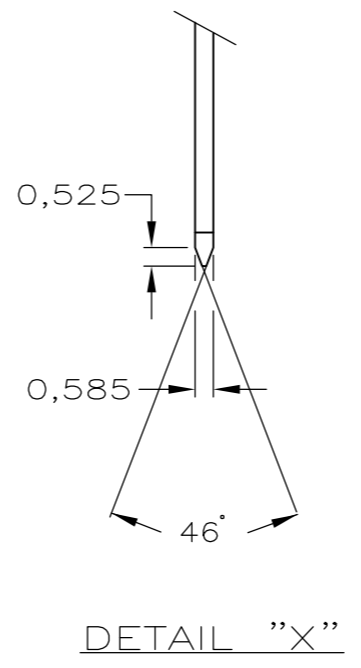
LOC	DIST	REVISIONS					
H	-	P	LTR	DESCRIPTION	DATE	DWN	APVD
		A		FIRST ISSUE	06-02-07	MK	BM
		B		ECR-08-009415	24-04-08	AEG	MKO
		C		ECR-09-006351	21-08-09	AEG	MKO



CONTACT No.	2	4	6	8	10	12	14	16	18	20	22	24	26	28	30	32
z	⊗	x	x	x	x	x	x	x	x	x	x	x	x	x	x	x
F 48 ROW b	⊗	x	x	x	x	x	x	x	x	x	x	x	x	x	x	⊗
d	x	x	x	x	x	x	x	x	x	x	x	x	x	x	x	x

AN ASTERISK „X” DENOTES A STAND. CONTACT.
 AN ASTERISK „⊗” DENOTES A FIRST-MAKE-LAST-BREAK CONTACT.

- NOTES:
- ① ACTION-PIN AREA SUITABLE FOR P.C.B.-THICKNESS 1,6 mm.
 - ② 8 KEYING HOLES SUITABLE FOR KEYING PINS.
 - ③ KEYING HOLES CAN BE DRILLED BY CUSTOMER.
 - ④ PARTNUMBER AND DATECODE PRINTED IN BLACK.



P.C.B. HOLE DIM. ACTION PIN

DRILLED HOLE	: 1,15 ± 0,025 mm
FIN. HOLE	: 0,94 to 1,09 mm
AFTER REFLOW	: 0,91 to 1,09 mm
Cu-thks	: 0,025 to 0,075 mm
SnPb-thks	: 0,004 to 0,010 mm

THIS DRAWING IS A CONTROLLED DOCUMENT.		DWN	M.KOMAR	06FEB07	Tyco Electronics Corporation 's-Hertogenbosch, Nederland			
DIMENSIONS: mm		CHK	B.MOOIJ	06FEB07				
TOLERANCES UNLESS OTHERWISE SPECIFIED:		APVD	J.BROEKSTEEG	06FEB07				
0 PLC ± - 1 PLC ± - 2 PLC ± - 3 PLC ± - 4 PLC ± - ANGLES ± -		NAME		48 POS. DIN 41612 F MALE 90 deg ACTION PIN CONNECTOR WITH FMLB CONTACTS				
MATERIAL		FINISH		WEIGHT	SIZE	CAGE CODE	DRAWING NO	RESTRICTED TO
-		-		-	A2	00779	C=1982347	-
CUSTOMER DRAWING					SCALE	NTS	SHEET	1 of 1
					REV	C		

1982347

单击下面可查看定价，库存，交付和生命周期等信息

[>>TE Connectivity\(泰科\)](#)