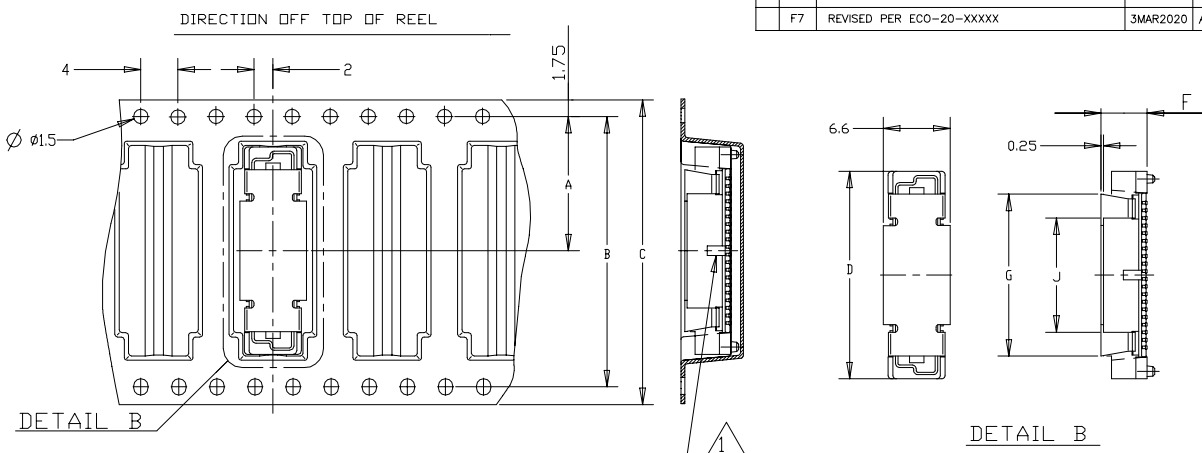


REVISIONS				
P	LTR	DESCRIPTION	DATE	DWN
F7		REVISED PER ECO-20-XXXX	3MAR2020	A.L.

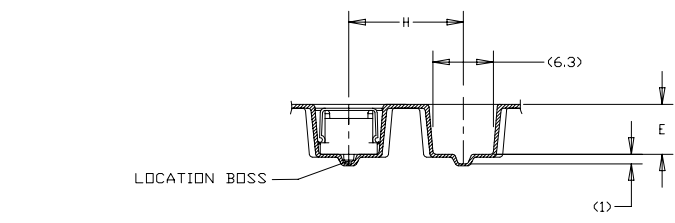
- Notes:
- 1 CUTOUT FEATURE AVAILABLE ONLY ON 5H ASSY P/N -1 (40P) AND -2 (60P).
  - 2 0.00038 MIN GOLD PLATING (15μ INCHES GOLD PLATING)
  - 3 CONNECTOR DIMENSIONS REFERENCED FROM DRAWING WHICH CONN. P/Ns BASED
  - 4 CONNECTOR WITH BLACK HOUSING
  - 5 MATERIAL: HOUSING: L.C.P. UL 94-V0. COLOR: NATURAL EXCEPT FOR NOTE 4 CONTACT: BRASS

LOW HALOGEN



DETAIL B

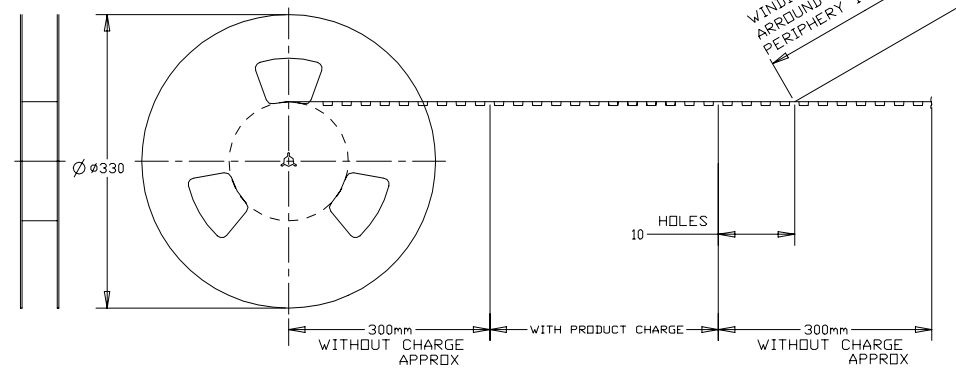
DETAIL B



LOCATION BOSS

WINDING THE COVER TAPE AROUND THE OUTER PERIPHERY IN A TURN.

REMARKS	QTY	WEIGHT	Y	X	J	H	G	F	E	D	C	B	A	POS	SALEABLE PART NO.	0.00076 MIN GOLD PLATING (300 INCHES GOLD PLATING)		0.0002 MIN GOLD PLATING (7.8μ INCHES GOLD PLATING)														
																5H	6H	7H	8H	5H	6H	7H	8H									
																	900	1.2	4.6	12	12	17	4.85	5.25	21.8	32	28.4	14.2	40	5-5177986-1	5	-2
																	550	2.6	5.6	12	16	17	5.85	6.25	69.8	88	84.4	42.2	160	9-5177986-8	6	-4
																	900	1.2	4.6	12	12	17	4.85	5.25	37.8	56	52.4	26.2	80	8-5177986-3	5	-3
																	450	2.6	5.6	12	16	17	5.85	6.25	53.8	72	68.4	34.2	120	4-5177986-5	6	-5
																	400	1.2	4.6	12	12	17	4.85	5.25	37.8	56	52.4	26.2	80	8-5177986-3	3	-2
																	600	2.6	5.6	12	16	17	5.85	6.25	53.8	72	68.4	34.2	120	4-5177986-5	4	-0
																	450	1.2	4.6	12	12	17	4.85	5.25	37.8	56	52.4	26.2	80	8-5177986-3	3	-3
																	700	3.6	6.6	12	16	17	6.85	7.25	53.8	72	68.4	34.2	120	4-5177986-5	3	-5
																	500	2.6	5.6	12	16	17	5.85	6.25	69.8	88	84.4	42.2	160	9-5177986-8	2	-9
																	450	1.2	4.6	12	12	17	4.85	5.25	37.8	56	52.4	26.2	80	8-5177986-3	2	-4
																	700	3.6	6.6	12	16	17	6.85	7.25	53.8	72	68.4	34.2	120	4-5177986-5	2	-5
																	550	2.6	5.6	12	16	17	5.85	6.25	69.8	88	84.4	42.2	160	9-5177986-8	1	-6
																	900	1.2	4.6	12	12	17	4.85	5.25	37.8	56	52.4	26.2	80	8-5177986-3	1	-3
																	800	2.6	5.6	12	16	17	5.85	6.25	53.8	72	68.4	34.2	120	4-5177986-5	1	-2
																	500	2.6	5.6	12	16	17	5.85	6.25	69.8	88	84.4	42.2	160	9-5177986-8	1	-5
																	550	1.2	4.6	12	12	17	4.85	5.25	37.8	56	52.4	26.2	80	8-5177986-3	1	-4
																	800	2.6	5.6	12	16	17	5.85	6.25	53.8	72	68.4	34.2	120	4-5177986-5	1	-3
																	900	1.2	4.6	12	12	17	4.85	5.25	37.8	56	52.4	26.2	80	8-5177986-3	1	-2
																	550	2.6	5.6	12	16	17	5.85	6.25	69.8	88	84.4	42.2	160	9-5177986-8	1	-1
																	450	1.2	4.6	12	12	17	4.85	5.25	37.8	56	52.4	26.2	80	8-5177986-3	1	-0



STEEL COVER

THIS DRAWING IS A CONTROLLED DOCUMENT.		DWN: FLORENCE TAN CHK: ERIC TNG	30AUG2004 30MAY2012		TE Connectivity Ltd.	
DIMENSIONS: mm	TOLERANCES UNLESS OTHERWISE SPECIFIED:	APVD: SF LEONG	30MAY2012		NAME	
1 PLC ± .2 2 PLC ± 0.15 3 PLC ± 0.1 4 PLC ± .1	ANGLES ± 3° FINISH	PRODUCT SPEC			PLUG ASSEMBLY, FH 0.8 ON TAPING (EMBOSS) 0.5 BOSS LENGTH	
SEE NOTE	SEE NOTE	APPLICATION SPEC			SIZE: A2	CAGE CODE: 00779
MATERIAL		WEIGHT		DRAWING NO: C=5177986	RESTRICTED TO: -	
CUSTOMER DRAWING			SCALE: 1:1	SHEET: 1 of 4	REV: F7	

4

3

2

1

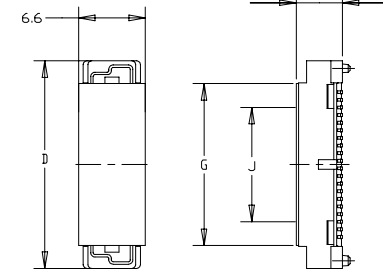
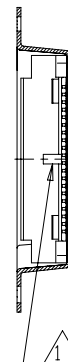
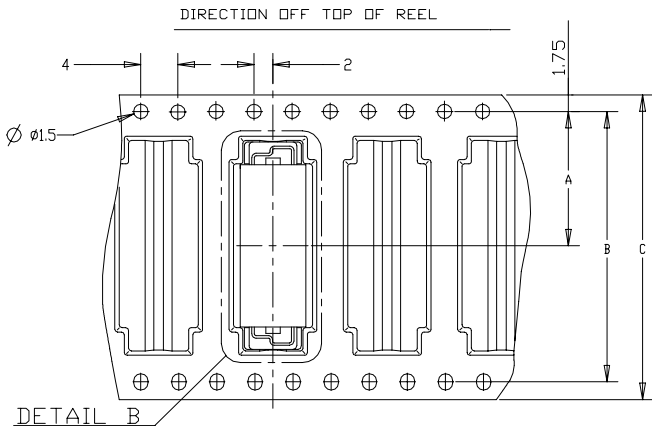
© - TE Connectivity. All Rights Reserved.

LOW HALOGEN

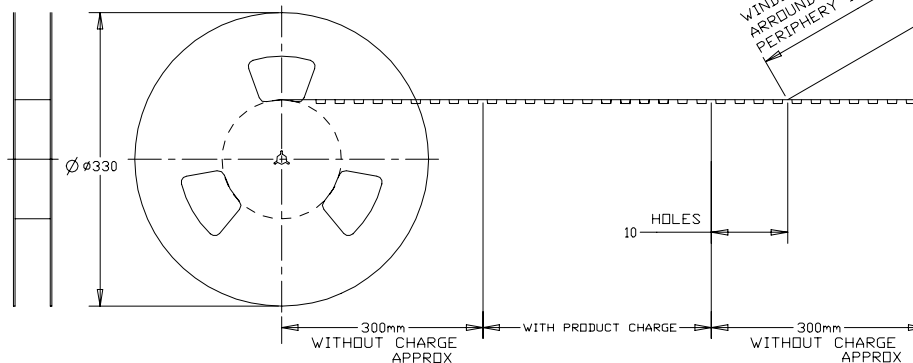
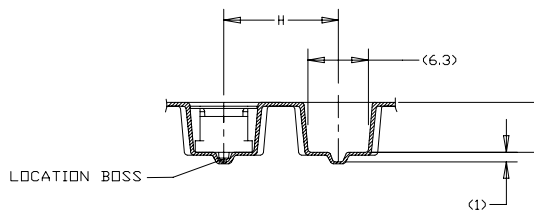
Notes:

6 0.0002 MIN GOLD PLATING  
(7.8u INCHES GOLD PLATING)

REVISIONS					
P	LTR	DESCRIPTION	DATE	DWN	APVD
-	-	SEE SHEET 1	-	-	-



DETAIL B



WINDING THE COVER TAPE  
AROUND THE OUTER  
PERIPHERY IN A TURN.

POLYIMIDE COVER

800	6H	2.6	5.6	12	12	17	5.85	6.25	37.8	56	52.4	26.2	80	9-5177986-3	
650	5H	1.2	4.6	12	16	17	4.85	5.25	61.8	88	84.4	42.2	140	9-5177986-6	
REMARKS	QTY	WEIGHT TYPE	Y	X	J	H	G	F	E	D	C	B	A	POS	SALEABLE PART NO.

1471-9 (1/15)

THIS DRAWING IS A CONTROLLED DOCUMENT.		DWN: FLORENCE TAN CHK: ERIC TING	30AUG2004 30MAY2012	TE Connectivity Ltd.	
DIMENSIONS: mm		APVD: SF LEONG 30MAY2012		NAME: PLUG ASSEMBLY, FH 0.8 ON TAPING (EMBOSS) 0.5 BOSS LENGTH	
TOLERANCES UNLESS OTHERWISE SPECIFIED: 0 PLC ± - 1 PLC ± 0.2 2 PLC ± 0.15 3 PLC ± 0.1 4 PLC ± -		PRODUCT SPEC: 108-5390		SIZE: A2	
MATERIAL: SEE NOTE		FINISH: SEE NOTE		CAGE CODE: 00779	
		CUSTOMER DRAWING		DRAWING NO: C=5177986	
		WEIGHT: -		RESTRICTED TO: -	
		SCALE: 1:1		SHEET 2 of 4	
				REV F7	

5177986

4

3

2

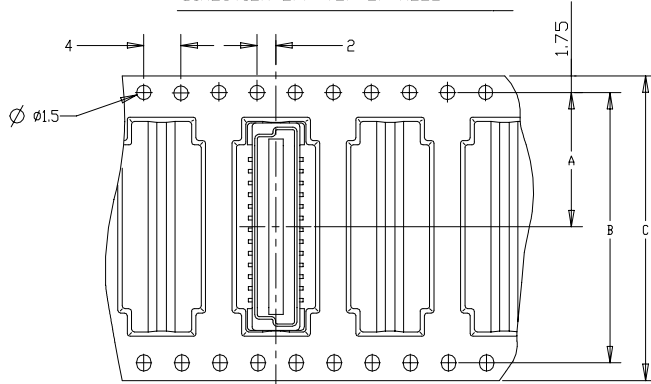
1

© - TE Connectivity. All Rights Reserved.

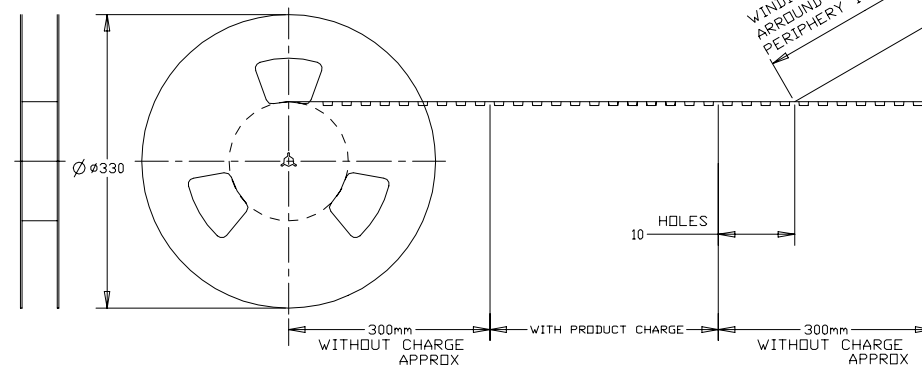
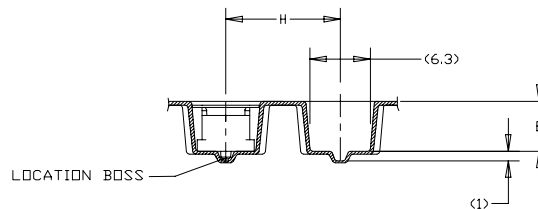
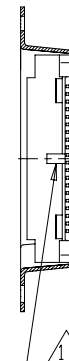
LOW HALOGEN

Notes:  
△ 0.00038 MIN GOLD PLATING  
(15μ INCHES GOLD PLATING)

DIRECTION OFF TOP OF REEL



REVISIONS					
P	LTR	DESCRIPTION	DATE	DWN	APVD
-	-	SEE SHEET 1	-	-	-



WINDING THE COVER TAPE AROUND THE OUTER PERIPHERY IN A TURN.

WITHOUT COVER

△	650	5H	1.2	4.6	16	5.25	88	84.4	42.2	160	8-5177986-8
	650	5H	1.2	4.6	16	5.25	72	68.4	34.2	120	8-5177986-5
REMARKS	QTY	WEIGHT TYPE	Y	X	H	E	C	B	A	POS	SALEABLE PART NO.

THIS DRAWING IS A CONTROLLED DOCUMENT.

DWN: FLORENCE TAN 30AUG2004  
CHK: ERIC TING 30MAY2012

APVD: SF LEONG 30MAY2012

NAME: PLUG ASSEMBLY, FH 0.8 ON TAPING (EMBOSS) 0.5 BOSS LENGTH

PRODUCT SPEC: 108-5390

APPLICATION SPEC: -

SIZE: A2 CAGE CODE: 00779 DRAWING NO: C=5177986

RESTRICTED TO: -

WEIGHT: -

CUSTOMER DRAWING

SCALE: 1:1 SHEET: 3 of 4 REV: F7

5177986

4

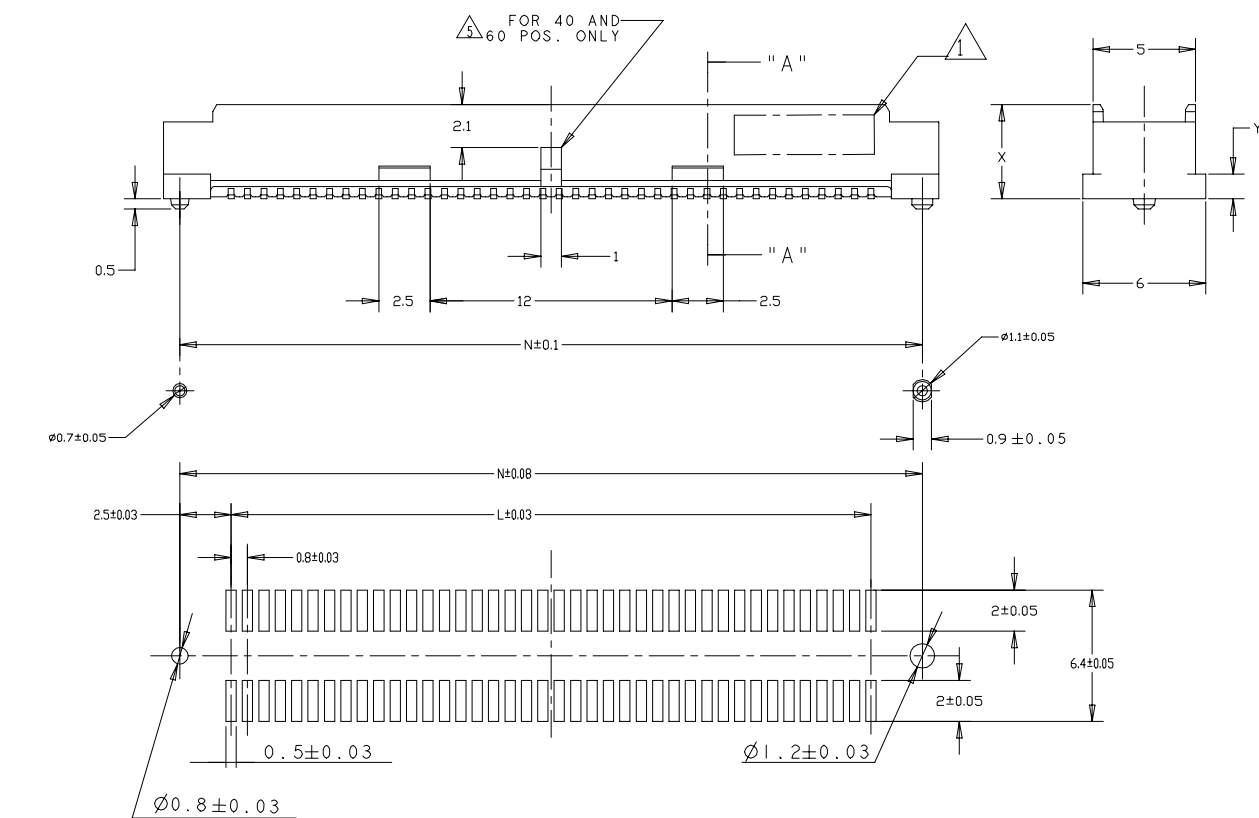
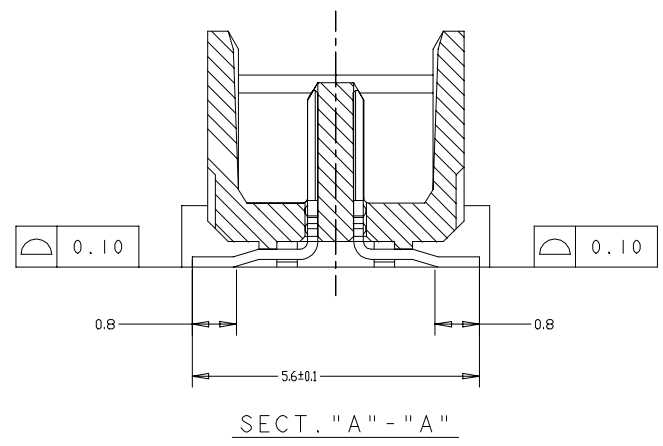
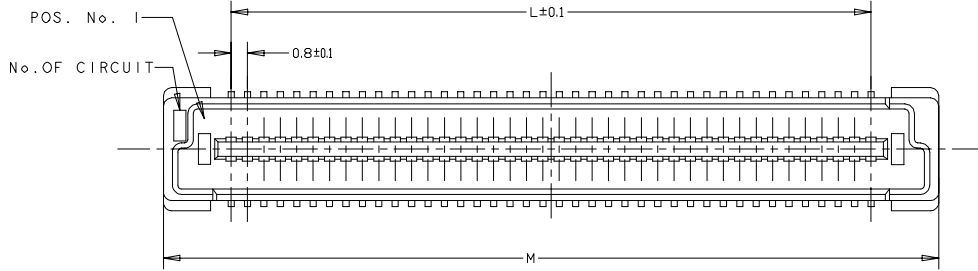
3

2

1

© - TE Connectivity. All Rights Reserved.

REVISIONS					
P	LTR	DESCRIPTION	DATE	DWN	APVD
-	-	SEE SHEET 1	-	-	-



RECOMMENDED P.C. BOARD LAYOUT

LOW HALOGEN

CONNECTOR ONLY

84.2	85.8	79.2	200
76.2	77.8	71.2	180
68.2	69.8	63.2	160
60.2	61.8	55.2	140
52.2	53.8	47.2	120
44.2	45.8	39.2	100
36.2	37.8	31.2	80
28.2	29.8	23.2	60
20.2	21.8	15.2	40
N	M	L	POS.

THIS DRAWING IS A CONTROLLED DOCUMENT.

DWN: FLORENCE TAN 30AUG2004  
 CHK: ERIC TING 30MAY2012

APVD: SF LEONG 30MAY2012

NAME: PLUG ASSEMBLY, FH 0.8 ON TAPING (EMBOSS) 0.5 BOSS LENGTH

PRODUCT SPEC: 108-5390

APPLICATION SPEC: -

SIZE: A2 CAGE CODE: 00779 DRAWING NO: 5177986

RESTRICTED TO: -

WEIGHT: -

MATERIAL: SEE NOTE

FINISH: SEE NOTE

CUSTOMER DRAWING

SCALE: 1:1 SHEET: 4 of 4 REV: F7

5177986

单击下面可查看定价，库存，交付和生命周期等信息

[>>TE Connectivity\(泰科\)](#)