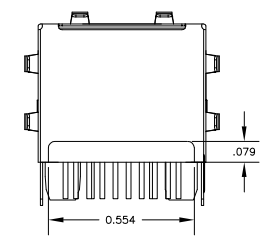
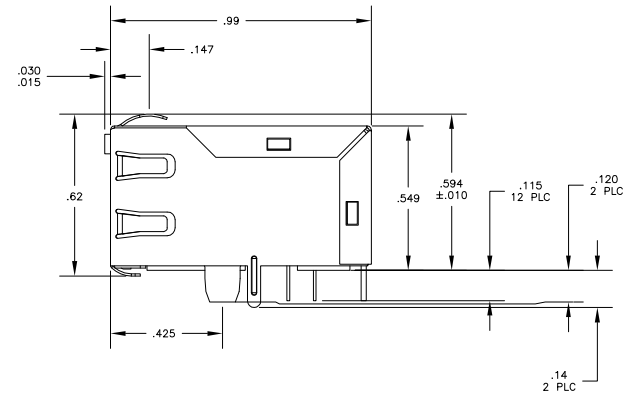
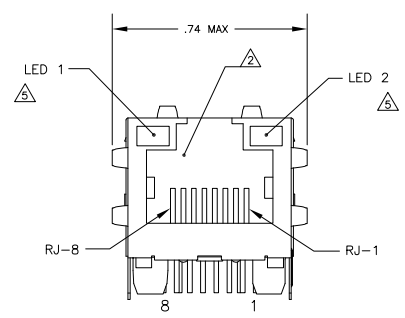
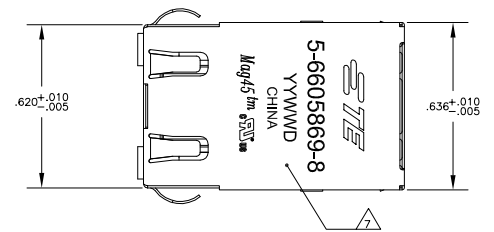


THIS DRAWING IS UNPUBLISHED. RELEASED FOR PUBLICATION 20-  
 © Gillette. ALL RIGHTS RESERVED.

LOC		REV		DATE		BY		CHK	
AA	00	REV PER	ECO-11-011343	12OCT2011	TY	KZ			
		F	ECO-11-013927	28OCT2011	EL	LR			



1 MATERIAL:  
 HOUSING - THERMOPLASTIC PET POLYESTER FLAMMABILITY RATING UL 94V-0.  
 SHIELD - .008" THICK, C26800 BRASS PREPLATED WITH 30µINCH MIN SEMI-BRIGHT NICKEL; SOLDER TABS POST-DIPPED WITH SAC SOLDER.  
 MOD JACK CONTACTS - .0157" x .018" PHOSPHOR BRONZE, 50µINCH MIN OVERALL NICKEL UNDERPLATE, WITH SELECT 50µINCH MIN HARD GOLD FINISH PLATE. SOLDER TAILS WITH 100µINCH MIN MATTE TIN AND/OR SAC SOLDER DIP.  
 LIGHT EMITTING DIODE(LED) - DIFFUSED EPOXY LENS, .020" x .020" CARBON STEEL WIREFRAME LEADS PREPLATED WITH 80µINCH SILVER OVER 40µINCH NICKEL UNDERPLATE OVER 40µINCH COPPER UNDERPLATE; POST-PLATED WITH 100µINCH MIN MATTE TIN AND/OR SAC SOLDER DIP OR PURE TIN SOLDER DIP.

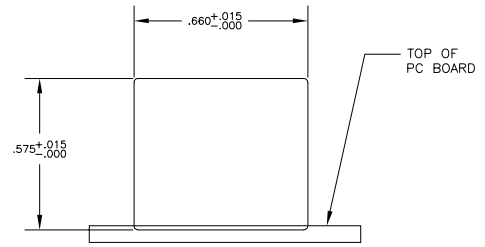
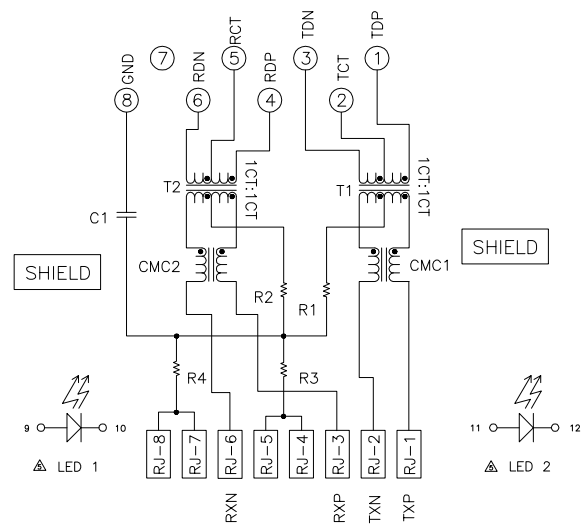
2 RJ45 JACK CAVITY CONFORMS TO FCC RULES AND REGULATIONS PART 68, SUB PART F.  
 3 MAGNETICS  
 -APPLICATION: 10/100 BASE-T  
 -IMPEDANCE: 100 OHMS  
 -TURNS RATIO (CHIP-CABLE): TX = 1:1, RX = 1:1  
 -OPEN CIRCUIT INDUCTANCE (OCL): 350µH MIN @100kHz, 0.1VRMS, 8mADC BIAS FROM 0°C TO 70°C, TX AND RX  
 -PERFORMANCE @ 25°C:  
 INSERTION LOSS (IL): 1.1dB MAX FROM 0.5MHz TO 100MHz  
 RETURN LOSS (RL): 18dB MIN FROM 0.5MHz TO 30MHz  
 18-20LOG(f/30)dB MIN FROM 30.1MHz TO 60MHz  
 12dB MIN FROM 60.1MHz TO 80MHz  
 CROSSTALK ATTENUATION: 35dB MIN FROM 0.5MHz TO 40MHz  
 33-20LOG(f/50)dB MIN FROM 40.1MHz TO 100MHz  
 COMMON MODE REJECTION RATIO (CMRR): 30dB MIN FROM 0.5MHz TO 100MHz  
 -ISOLATION VOLTAGE: 2250VDC (MAX) FOR 60 SECONDS WITH A RISE TIME OF 500V/SEC.

4. OPERATING TEMPERATURE: FROM 0°C TO +70°C.  
 5 LEDS WITHOUT BUILT-IN RESISTOR  
 LEDS ARE DRIVEN WITH CONSTANT CURRENT AT APPROX 20 mA  
 LED COLOR: DOMINANT WAVELENGTH (λD): GREEN 568 nm TYP @ IF=20 mA  
 FORWARD VOLTAGE (VF): GREEN 2.2V TYP @ IF=20 mA  
 DOMINANT WAVELENGTH (λD): YELLOW 588 nm TYP @ IF=20 mA  
 FORWARD VOLTAGE (VF): YELLOW 2.1V TYP @ IF=20 mA

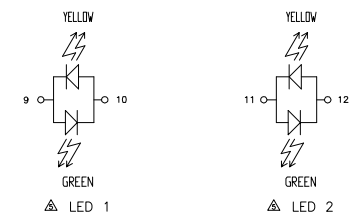
6 INDICATED CONNECTIONS ARE FOR NIC CONFIGURATION. THE MAGNETICS ARE SYMMETRIC, AND SUPPORT AUTO-MDI/MDIX.  
 7 TE CONNECTIVITY LOGO, PART NUMBER, DATE CODE, COUNTRY OF ORIGIN AND AGENCY APPROVAL MARKING IN APPROXIMATE LOCATION SHOWN.  
 8. THESE PARTS ARE RECOMMENDED FOR WAVE SOLDERING PROCESS. PREHEAT TEMPERATURE IS 120°C TO 160°C, 120 SECONDS TO 180 SECONDS, PEAK WAVE SOLDERING TEMPERATURE IS 260°C MAX, 10 SECONDS MAX.

ELECTRICAL:

26P1 MAGNETIC SCHEMATIC:

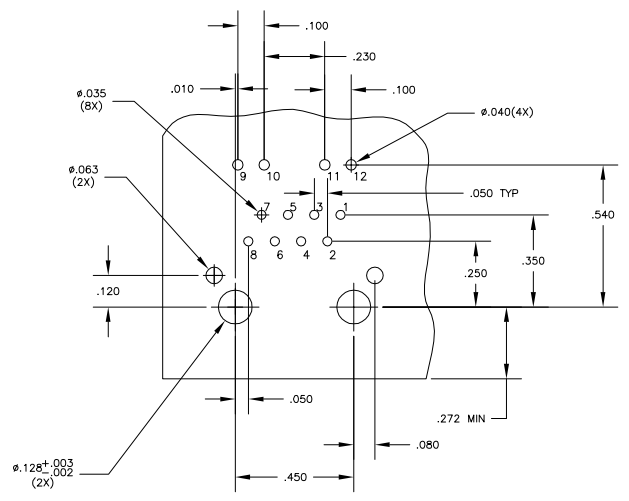


SUGGESTED PANEL CUTOUT

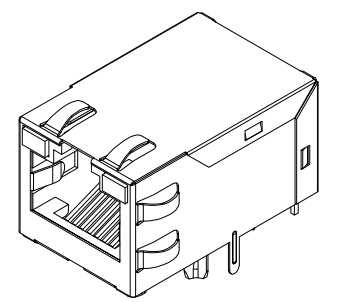


LED CONFIGURATION FOR 6605869-6 ONLY

C1=1000 pF, 2kV CAPACITOR  
 R1-R4 =75 Ohms, 1/16 W RESISTORS



SUGGESTED PC BOARD LAYOUT (Component Side)



GREEN	YELLOW	5-6605869-8
GREEN	GREEN	5-6605869-7
YELLOW	GREEN	6605869-9
GREEN/YELLOW	GREEN/YELLOW	6605869-6
LED 1	LED 2	PART NUMBER

DIMENSIONS:		REV		DATE		BY		CHK	
INCHES	MILLIMETERS	REV	DATE	BY	CHK	REV	DATE	BY	CHK
0.100 ± .005	2.540 ± .127	1	12/20/2008	J. FAROLE		1	12/20/2008	J. FAROLE	
0.125 ± .003	3.175 ± .076	2	12/20/2008	J. FAROLE		2	12/20/2008	J. FAROLE	
0.150 ± .005	3.810 ± .127	3	12/20/2008	J. FAROLE		3	12/20/2008	J. FAROLE	
0.175 ± .005	4.425 ± .127	4	12/20/2008	J. FAROLE		4	12/20/2008	J. FAROLE	
0.200 ± .005	5.080 ± .127	5	12/20/2008	J. FAROLE		5	12/20/2008	J. FAROLE	
0.225 ± .005	5.715 ± .127	6	12/20/2008	J. FAROLE		6	12/20/2008	J. FAROLE	
0.250 ± .005	6.350 ± .127	7	12/20/2008	J. FAROLE		7	12/20/2008	J. FAROLE	
0.275 ± .005	6.985 ± .127	8	12/20/2008	J. FAROLE		8	12/20/2008	J. FAROLE	
0.300 ± .005	7.620 ± .127	9	12/20/2008	J. FAROLE		9	12/20/2008	J. FAROLE	
0.325 ± .005	8.255 ± .127	10	12/20/2008	J. FAROLE		10	12/20/2008	J. FAROLE	
0.350 ± .005	8.890 ± .127	11	12/20/2008	J. FAROLE		11	12/20/2008	J. FAROLE	
0.375 ± .005	9.525 ± .127	12	12/20/2008	J. FAROLE		12	12/20/2008	J. FAROLE	

单击下面可查看定价，库存，交付和生命周期等信息

[>>TE Connectivity\(泰科\)](#)