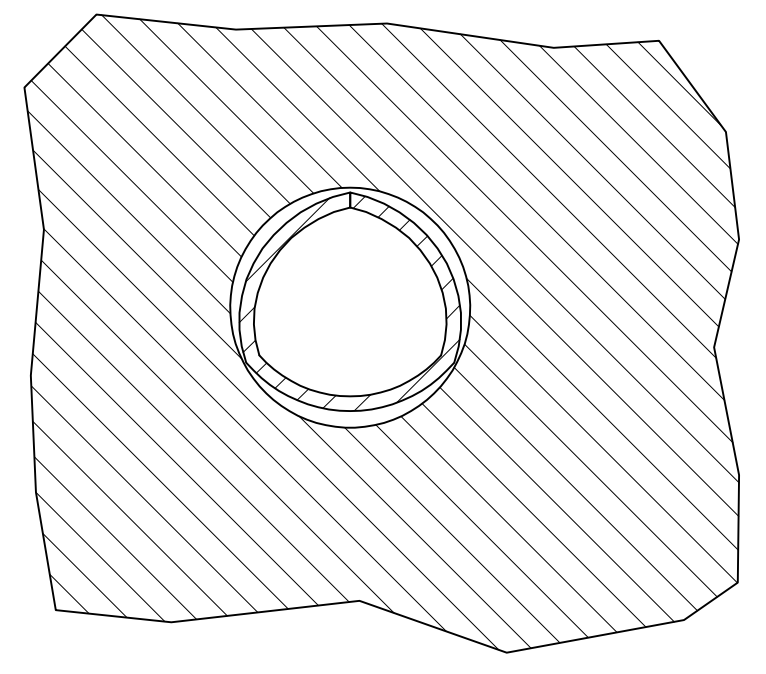
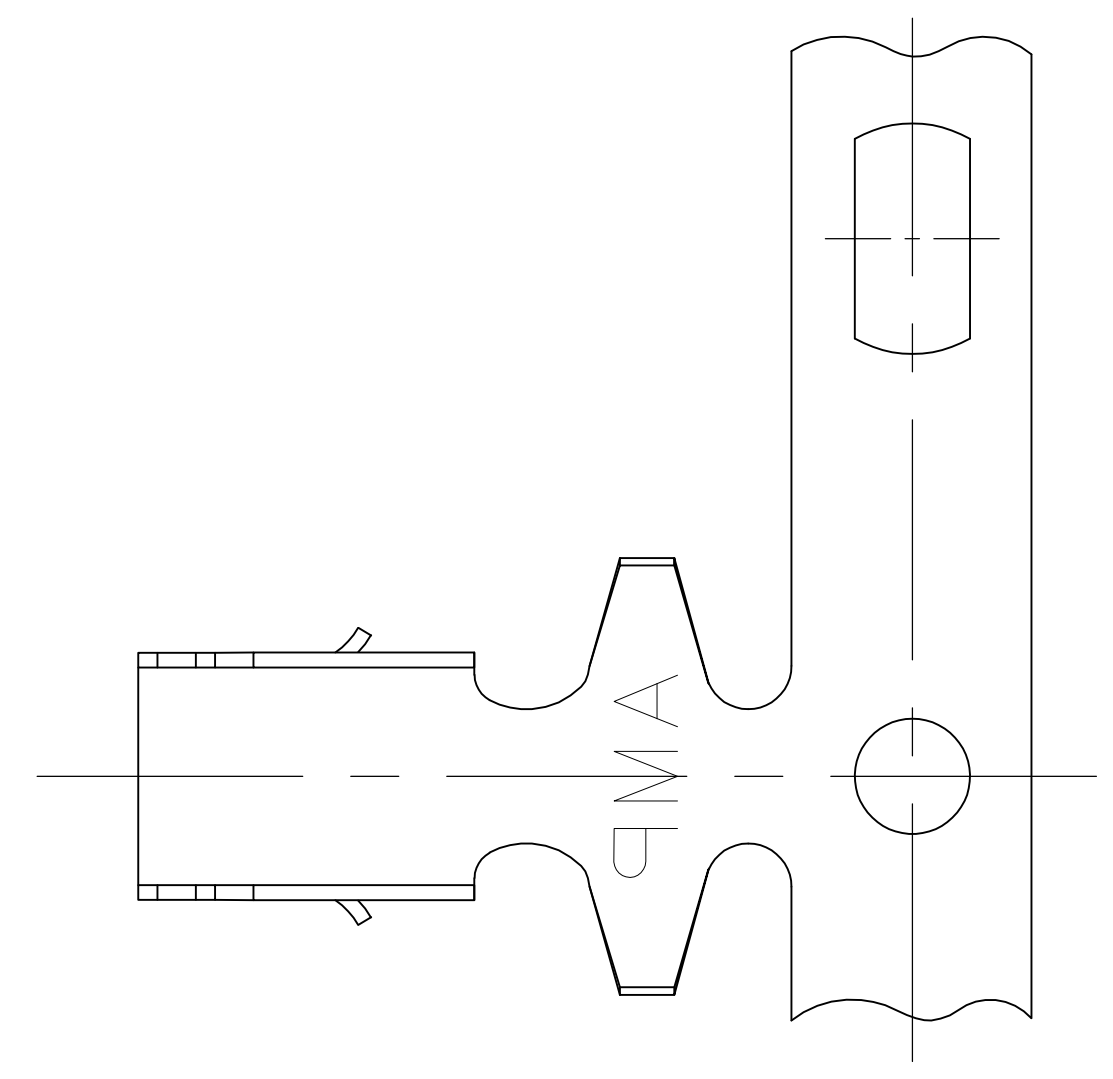
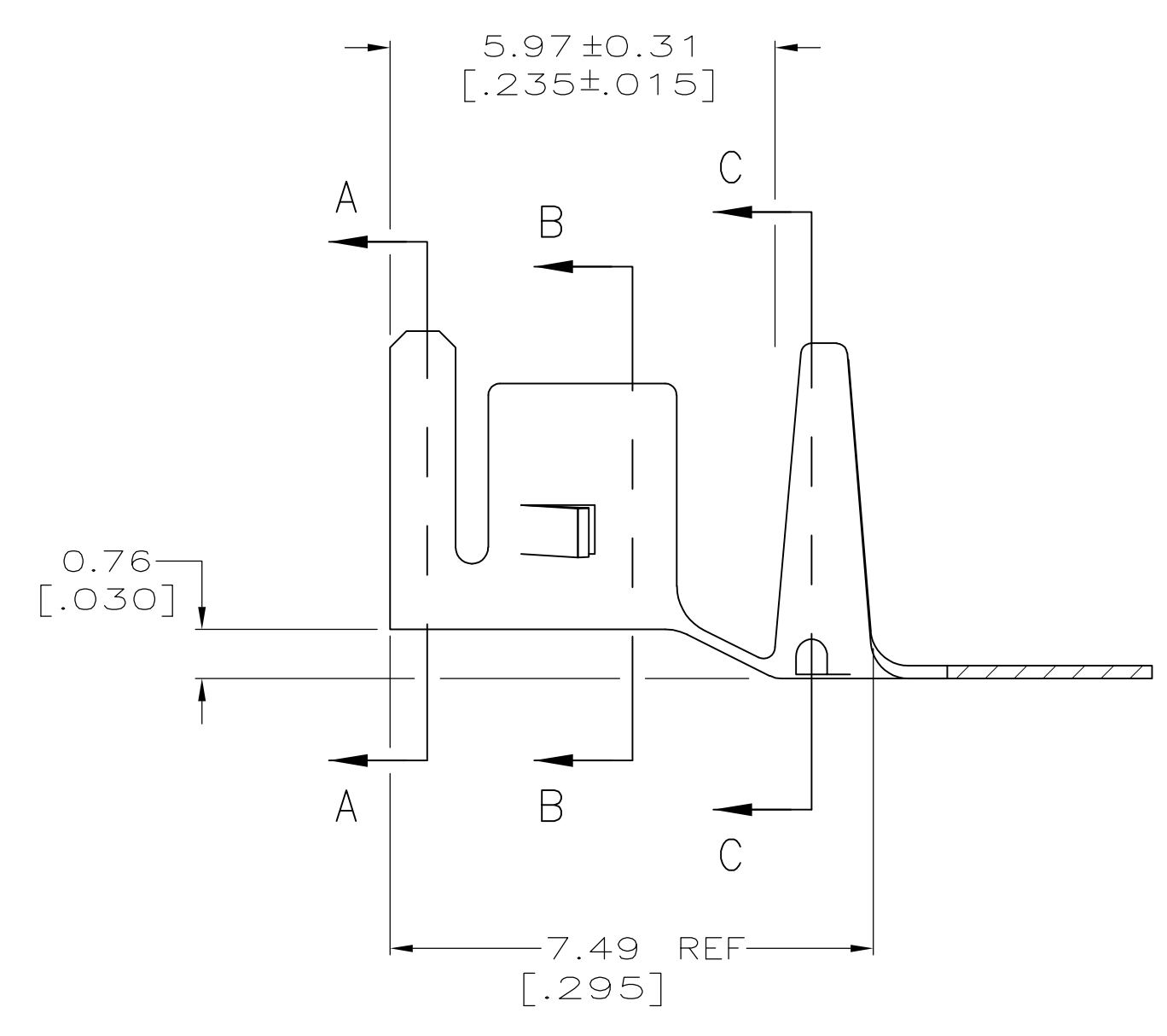


LOC		DIST		REVISIONS			
CM	00	REV	DATE	BY	CHKD	APVD	
C3		REVISED PER ECO-12-014997	23AUG12	KH	SM		

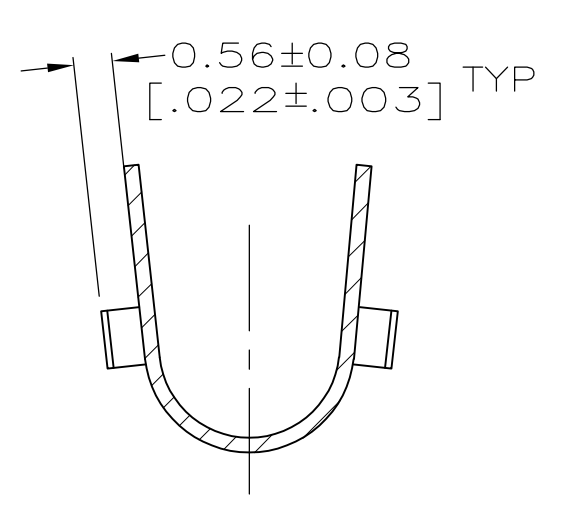
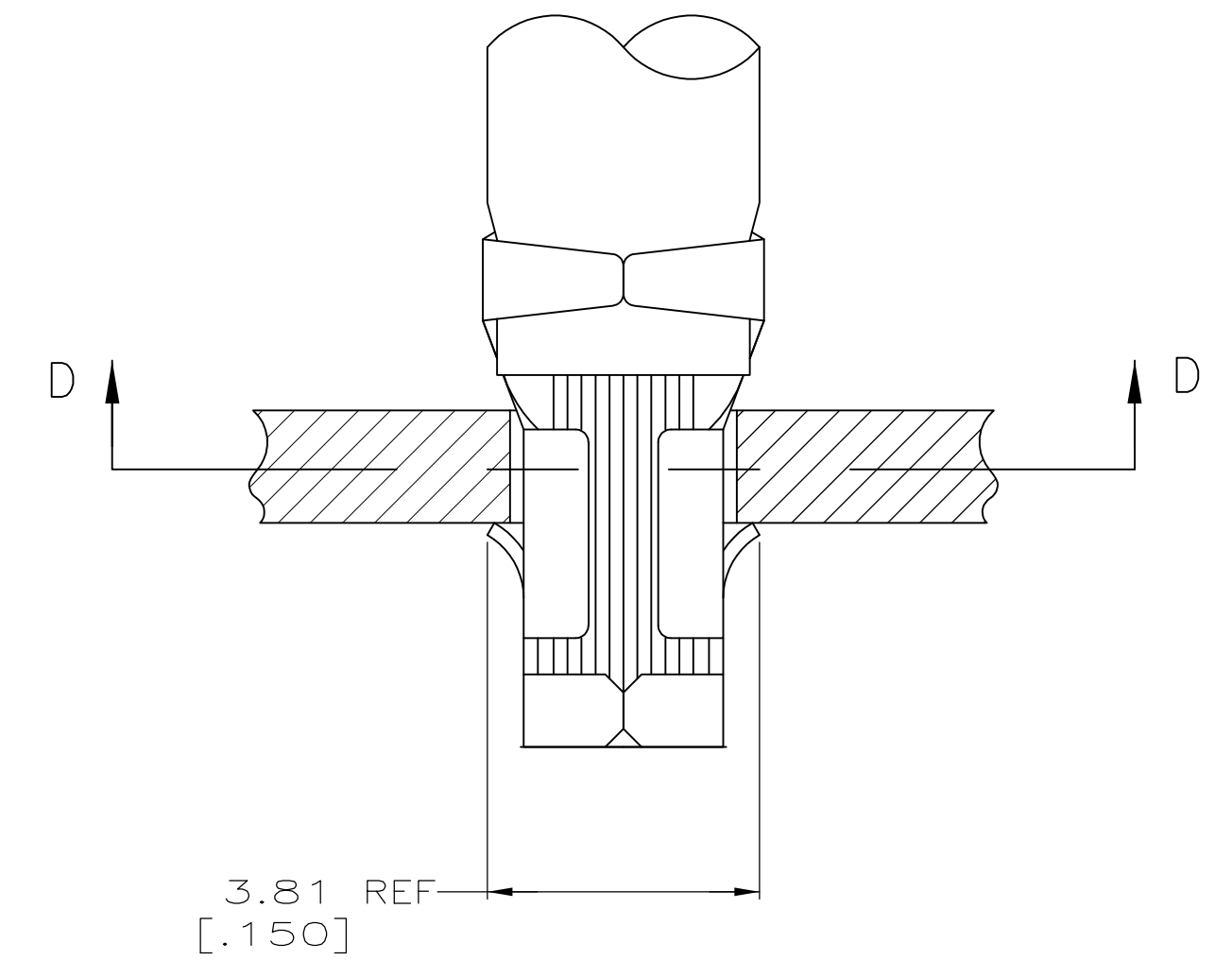
- 1 PARTS COMPLY WITH AMP SOLDERABILITY SPEC 109-11-3.
- 2 WIRE RANGE: 3-5.5 mm<sup>2</sup> [12-10 AWG].
- 3 INSULATION DIAMETER: 5.08 [.200] MAX.
- 4 DIMENSIONS IN BRACKETS ARE IN INCHES.
- 5 0.00508 [.000200] MIN BRIGHT TIN-LEAD.
- 6 0.00508 [.000200] MIN HALT TIN.



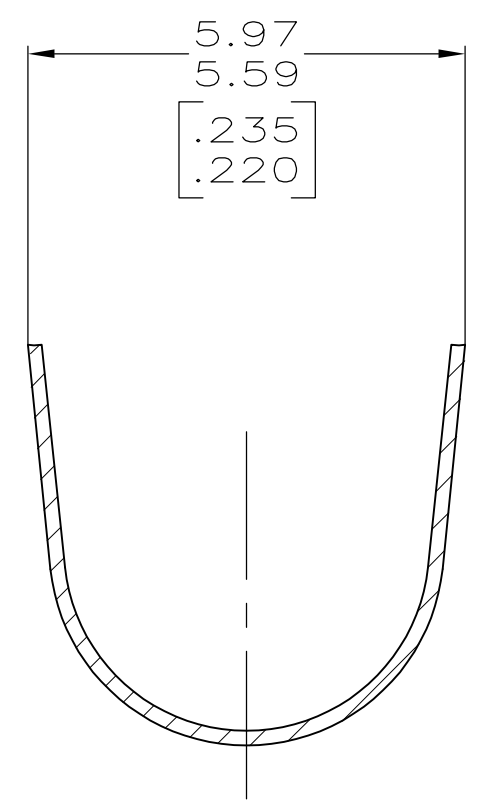
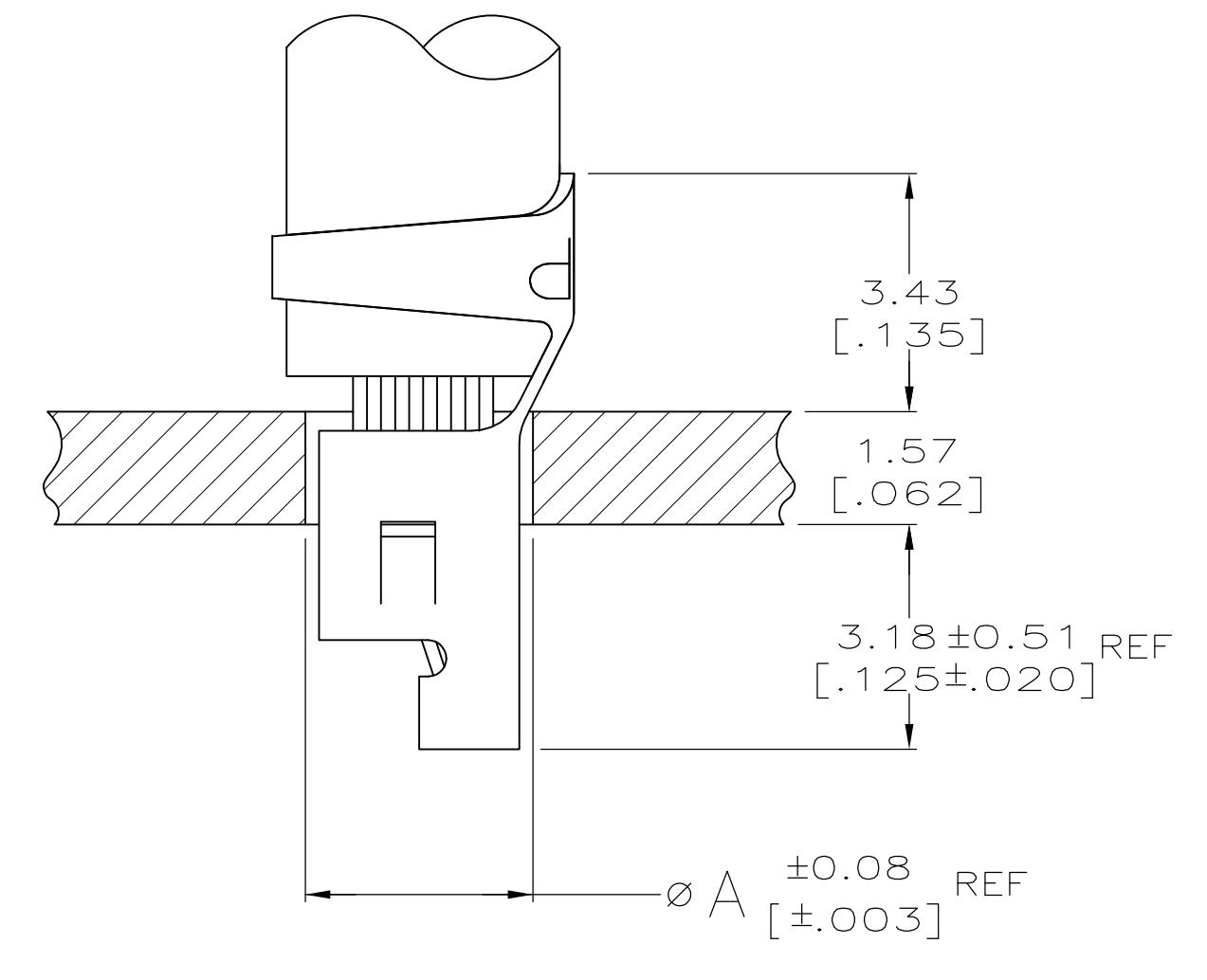
SECTION D-D



SECTION A-A



SECTION B-B



SECTION C-C

3.76 [.148]	10
3.18 [.125]	12
A	AWG

△6	3-794037-1
SUPERSEDED BY	△5
3-794037-1	-794037-1
FINISH	PART NO.

DIMENSIONS:		TOLERANCES UNLESS OTHERWISE SPECIFIED:		APVD		NAME	
INCHES		0 PLC	±	S. CARPENTER	22AUG2003	STE TE Connectivity	
		1 PLC	±	J. ELLIS	22AUG2003	TERMINAL, AMP-IN	
		2 PLC	±	J. ELLIS	22AUG2003	APPLICATION SPEC	
		3 PLC	± 0.13 [.005]			SIZE	
		4 PLC	±			CAGE CODE	
		ANGLES	±			DRAWING NO	
						A1 00779C=794037	
MATERIAL		FINISH		WEIGHT		RESTRICTED TO	
0.198 [.0078] PH BRZ						-	
CUSTOMER DRAWING				SCALE		SHEET	
				10:1		1 OF 1	
						REV	
						C3	

METRIC

单击下面可查看定价，库存，交付和生命周期等信息

[>>TE Connectivity\(泰科\)](#)