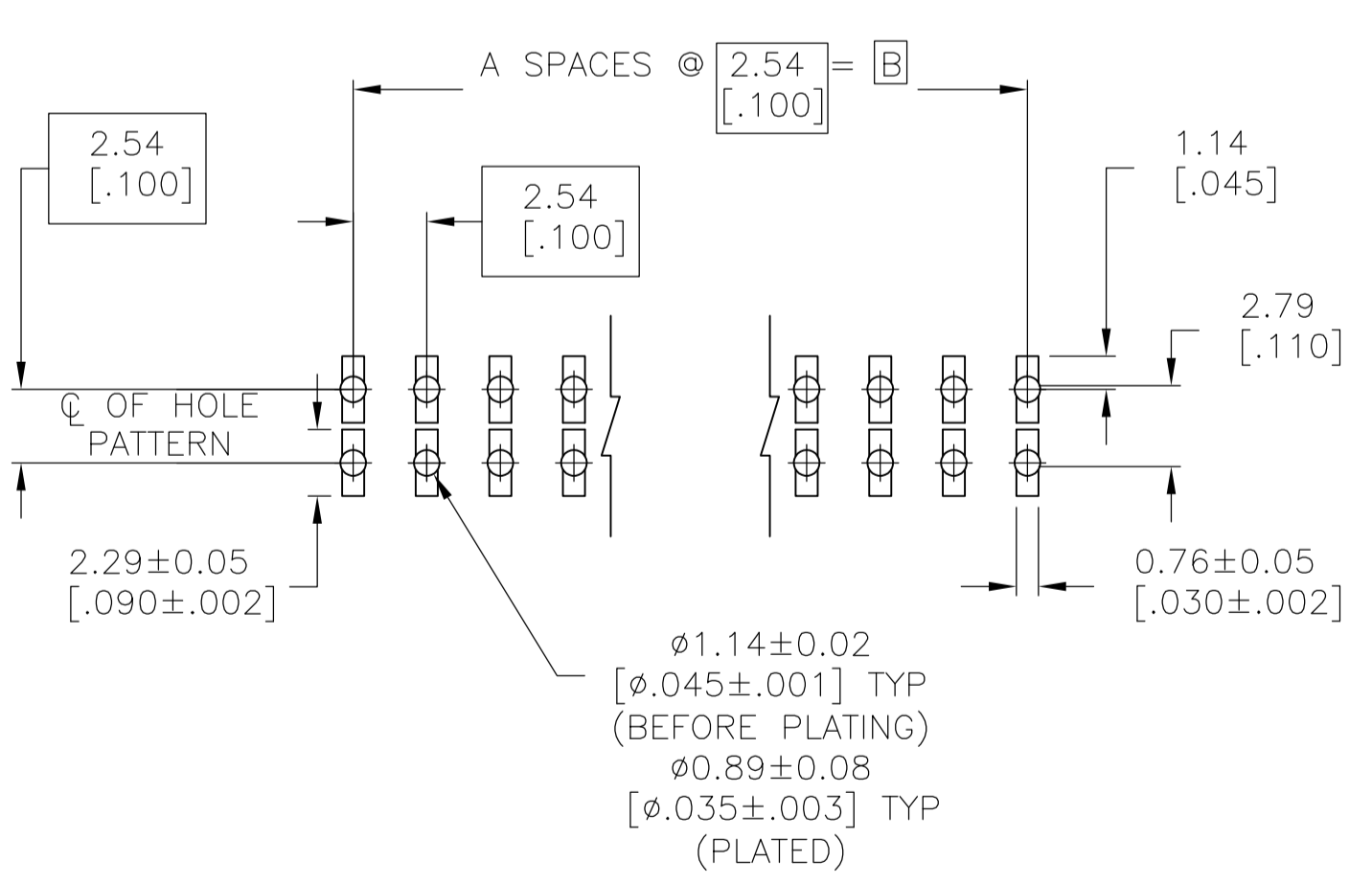


- 1 THE NOTED DIMENSIONS APPLY AT THE INTERSECTION OF THE POST AND HOUSING.
- 2 BREAKAWAY NOTCH ANGLE CAN BE ORIENTED TO THE RIGHT (AS SHOWN) OR TO THE LEFT
- 3 GLASS FILLED THERMOPLASTIC (THAT WILL WITHSTAND IR REFLOW PROCESSING) COLOR: BLACK. CONTACT: COPPER ALLOY
- 4 0.000762 [.000030] GOLD ON CONTACT AREA, 0.00254-0.00508 [.000100-.000200] MATTE TIN ALL OVER 0.00127 [.000050] NICKEL.



RECOMMENDED PC BOARD MOUNTING DIMENSIONS FOR .063 [.160] THICK PC BOARD AND .012 [.305] STENCIL THICK.

NONE	11	50.39 [1.984]	48.26 [1.900]	19	40	1977076-1
ROW X	ROW Y	C	B	A	NO. OF POSITIONS	PART NUMBER
POST OMITTED						

THIS DRAWING IS A CONTROLLED DOCUMENT.		DIN R BROWN 18MAR2007	TE Connectivity	
DIMENSIONS: mm [INCHES]		CHK J GEFSEFORD 18MAR2007		
TOLERANCES UNLESS OTHERWISE SPECIFIED:		APVD J GEFSEFORD 18MAR2007	NAME	
0 PLC ± -		PRODUCT SPEC	HEADER ASSEMBLY, MOD II, BREAKAWAY, RIGHT ANGLE, DOUBLE ROW, HIGH TEMPERATURE, .100 X.100 C/L, W/.025 SQUARE POSTS	
1 PLC ± -		APPLICATION SPEC	SIZE CAGE CODE DRAWING NO	
2 PLC ± 0.51[.02]			A1 00779 C=1977076	
3 PLC ± 0.12[.005]			WEIGHT	
4 PLC ± 0.012[.0005]			CUSTOMER DRAWING	
ANGLES ± -			SCALE 4:1 SHEET 1 OF 1 REV B	

单击下面可查看定价，库存，交付和生命周期等信息

[>>TE Connectivity\(泰科\)](#)