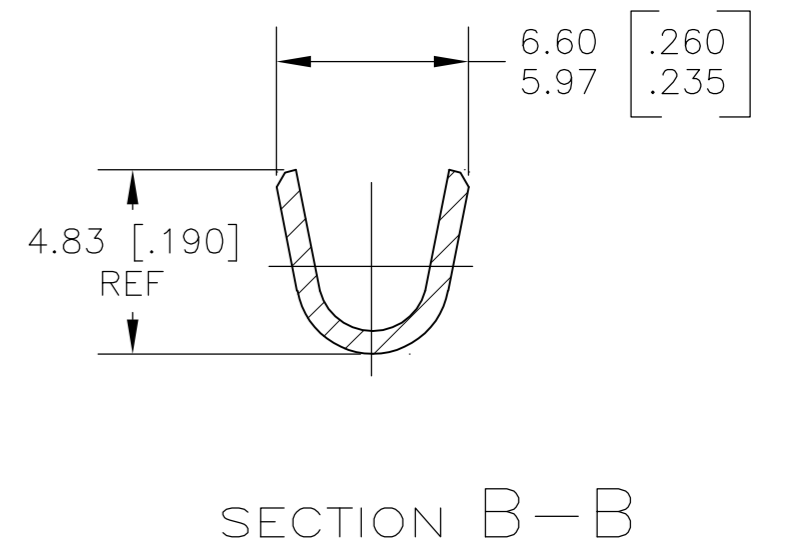
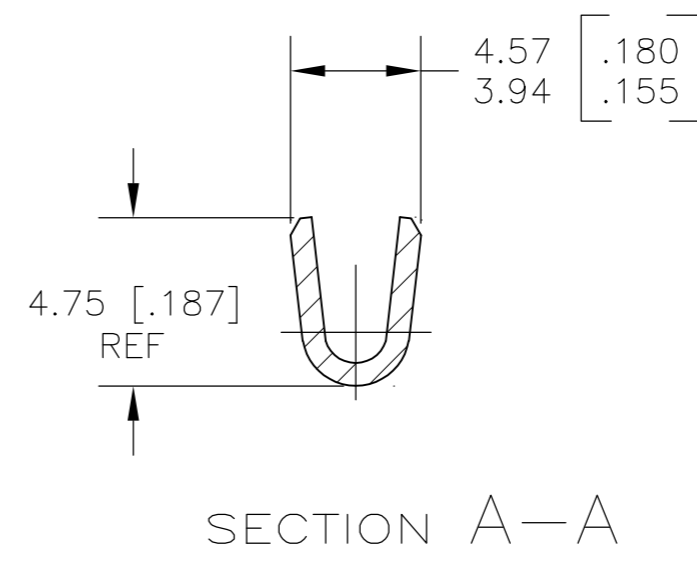
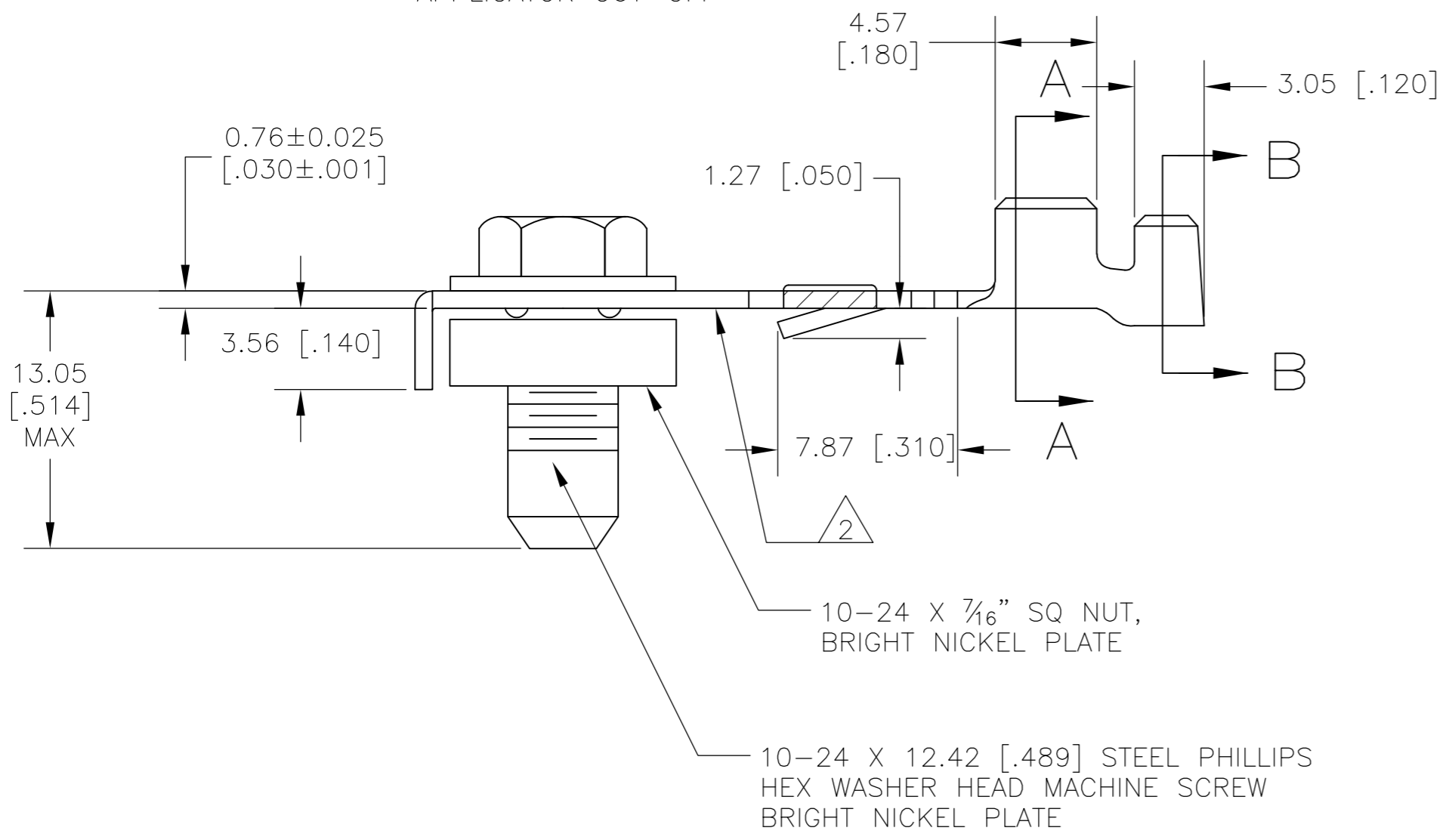
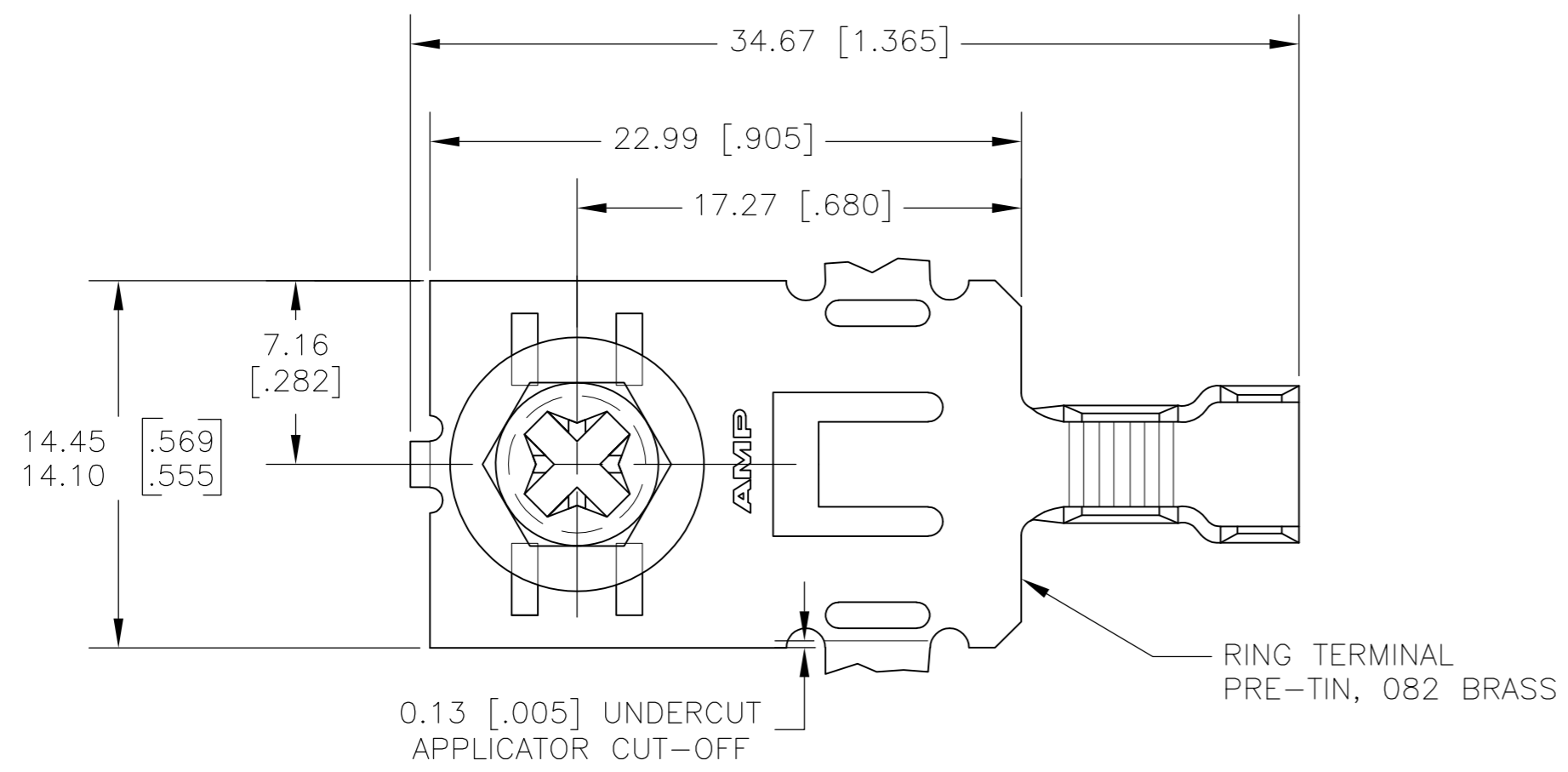


THIS DRAWING IS UNPUBLISHED. RELEASED FOR PUBLICATION
 © COPYRIGHT - By - ALL RIGHTS RESERVED.

LOC		DIST		REVISIONS			
P	LTR	DESCRIPTION		DATE	DWN	APVD	
AF	50	C1		REVISED PER ECR-11-025318	20DEC11	KH	GJ

- 1 CONTINUOUS STRIP ON REELS.
- 2 VERTICAL BURRS NOT TO EXCEED 0.13 [.005] ALONG THIS EDGE.
- 3 BACK OUT TORQUE OF SCREW TO BE A MIN OF 5 INCH LBS AND A MAX OF 25 INCH LBS.
- 4 REFERENCE APPLICATOR LOG SHEET FOR CRIMP INFORMATION.



2.54-3.56 [.100-.140] DIA	18-14 AWG	1217851-1
INSULATION RANGE	WIRE RANGE	PART NUMBER

THIS DRAWING IS A CONTROLLED DOCUMENT.		DWN 18JUL2002 MICHAEL S. FEHER	TE TE Connectivity	
DIMENSIONS: MM [INCHES]		CHK 18JUL2002 DONALD F. DECKER		
TOLERANCES UNLESS OTHERWISE SPECIFIED:		APVD 18JUL2002 DONALD F. DECKER	NAME SUB-ASSEMBLY, POWER RING	
0 PLC ± -		PRODUCT SPEC 108-1191	SIZE CAGE CODE DRAWING NO RESTRICTED TO	
1 PLC ± -		APPLICATION SPEC 114-2087	A2 00779 C-1217851	
2 PLC ± 0.38 [.015]		WEIGHT -	SCALE 4:1 SHEET 1 OF 1 REV C1	
3 PLC ± -		CUSTOMER DRAWING		
4 PLC ± -				
ANGLES ± -				
FINISH SEE CALL-OUTS				
MATERIAL SEE CALL-OUTS				

单击下面可查看定价，库存，交付和生命周期等信息

[>>TE Connectivity\(泰科\)](#)