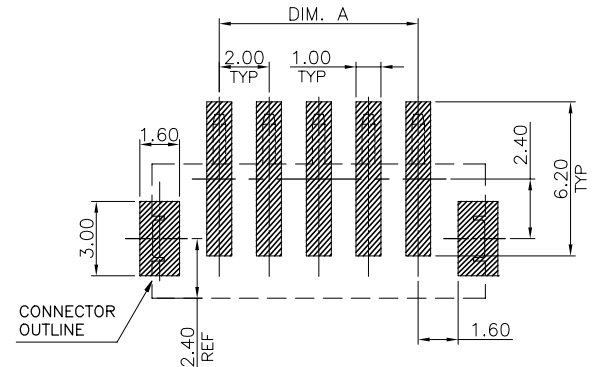
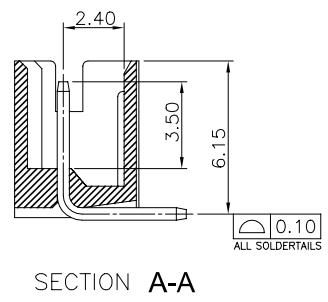
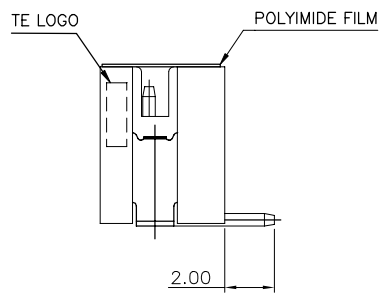
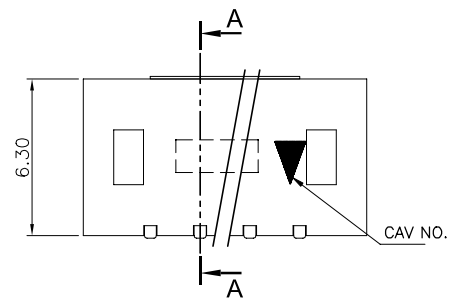


RECOMMENDED PCB LAYOUT
TOLERANCE: ± 0.05



RECOMMENDED PCB LAYOUT
TOLERANCE: ± 0.05

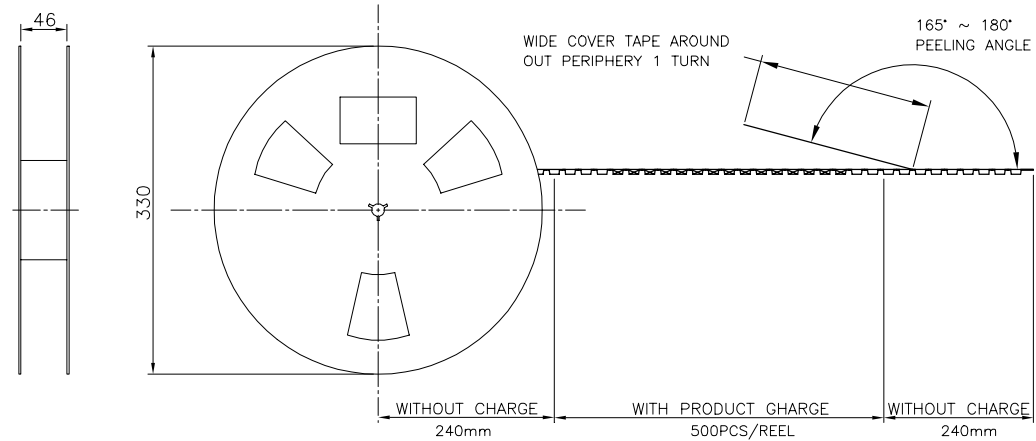


THICKNESS	DIM D	DIM C	DIM B	DIM A	POS	PART NUMBER
28.00	32.90	35.40	30.00	16P	3-1775470-6	
26.00	30.90	33.40	28.00	15P	3-1775470-5	
24.00	28.90	31.40	26.00	14P	3-1775470-4	
22.00	26.90	29.40	24.00	13P	3-1775470-3	
20.00	24.90	27.40	22.00	12P	3-1775470-2	
18.00	22.90	25.40	20.00	11P	3-1775470-1	
16.00	20.90	23.40	18.00	10P	3-1775470-0	
14.00	18.90	21.40	16.00	9P	2-1775470-9	
12.00	16.90	19.40	14.00	8P	2-1775470-8	
10.00	14.90	17.40	12.00	7P	2-1775470-7	
8.00	12.90	15.40	10.00	6P	2-1775470-6	
6.00	10.90	13.40	8.00	5P	2-1775470-5	
4.00	8.90	11.40	6.00	4P	2-1775470-4	
2.00	6.90	9.40	4.00	3P	2-1775470-3	
0.60	4.90	7.40	2.00	2P	2-1775470-2	
0.60	4.90	7.40	2.00	2P	4-1775470-2	
28.00	32.90	35.40	30.00	16P	1-1775470-6	
26.00	30.90	33.40	28.00	15P	1-1775470-5	
24.00	28.90	31.40	26.00	14P	1-1775470-4	
22.00	26.90	29.40	24.00	13P	1-1775470-3	
20.00	24.90	27.40	22.00	12P	1-1775470-2	
18.00	22.90	25.40	20.00	11P	1-1775470-1	
16.00	20.90	23.40	18.00	10P	1-1775470-0	
14.00	18.90	21.40	16.00	9P	1775470-9	
12.00	16.90	19.40	14.00	8P	1775470-8	
10.00	14.90	17.40	12.00	7P	1775470-7	
8.00	12.90	15.40	10.00	6P	1775470-6	
6.00	10.90	13.40	8.00	5P	1775470-5	
4.00	8.90	11.40	6.00	4P	1775470-4	
2.00	6.90	9.40	4.00	3P	1775470-3	
0.60	4.90	7.40	2.00	2P	1775470-2	

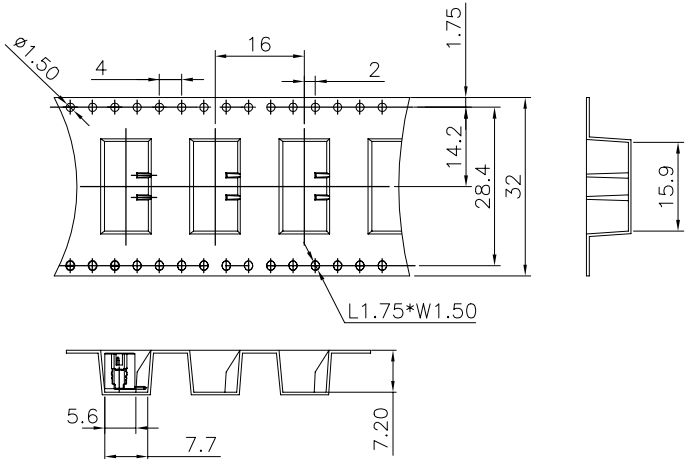
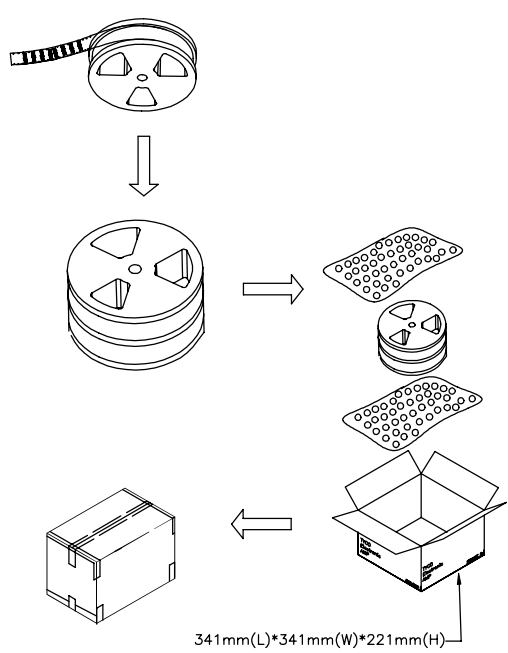
- NOTE:
- MATERIAL :
HOUSING : PA9T, UL 94V-0, COLOR: NATURAL.
CONTACT : BRASS, THICKNESS=0.50mm.
SOLDER PEG : BRASS
 - FINISH:
CONTACT : Δ 2um [80 μ] MIN. MATTE TIN PLATED OVER
1.27 μ m [50 μ] MIN. NICKEL UNDERPLATED ALL OVER.
 Δ GOLD FLASH OVER 1.27 μ m [50 μ] MIN. NICKEL UNDERPLATED ALL OVER.
PEG : 2um [80 μ] MATTE TIN, 1.27 μ m [50 μ] NICEL.
 - REFLOW SOLDER CAPABLE TO 260°C PER TE CONNECTIVITY SPEC 109-201, CONDITION B.
- Δ MATERIAL :
HOUSING : PA9T, UL 94V-0, COLOR: BLACK.
CONTACT : BRASS, THICKNESS=0.50mm.
SOLDER PEG : BRASS

THIS DRAWING IS A CONTROLLED DOCUMENT.

DWN	S. CHIEN	06JAN2009	<p>TE Connectivity</p> <p>HPI CONN., 2.0MM PITCH, V/T, SMT TYPE</p>	RESTRICTED TO
CHK	S. CHIEN	06JAN2009		
APVD	W. KODAMA	06JAN2009		
PRODUCT SPEC	108-57100	QUALIFICATION TEST REPORT		
MATERIAL	SEE NOTE	SEE NOTE	SIZE A3 CAGE CODE 00779 DRAWING NO. C-1775470 WEIGHT - GRAMS CUSTOMER DRAWING	SCALE
			SHEET 1 of 4	REV B1



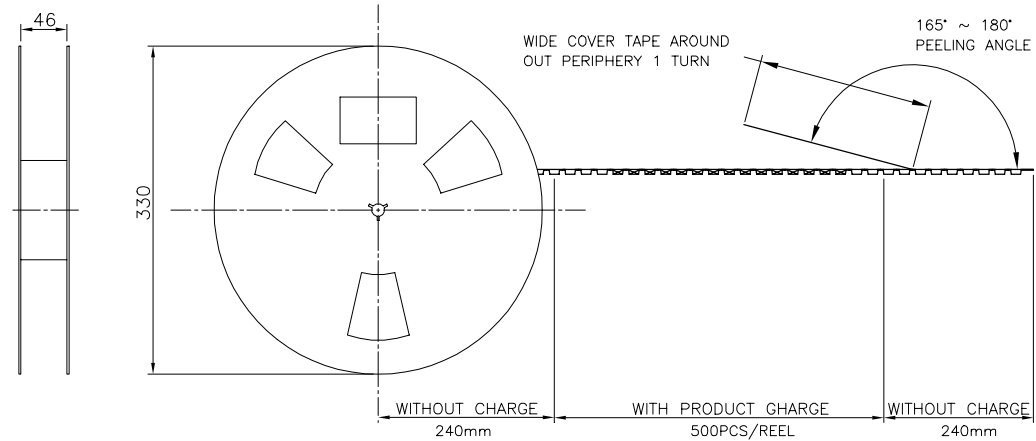
FOR 2~6PIN



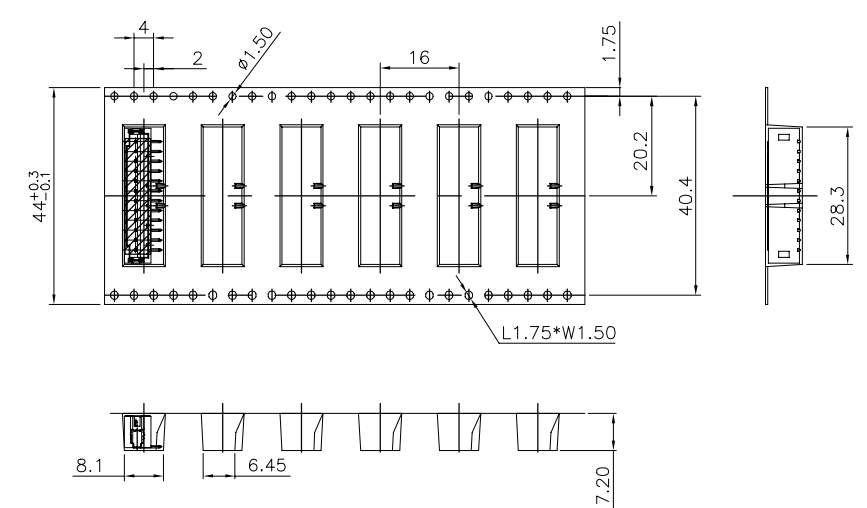
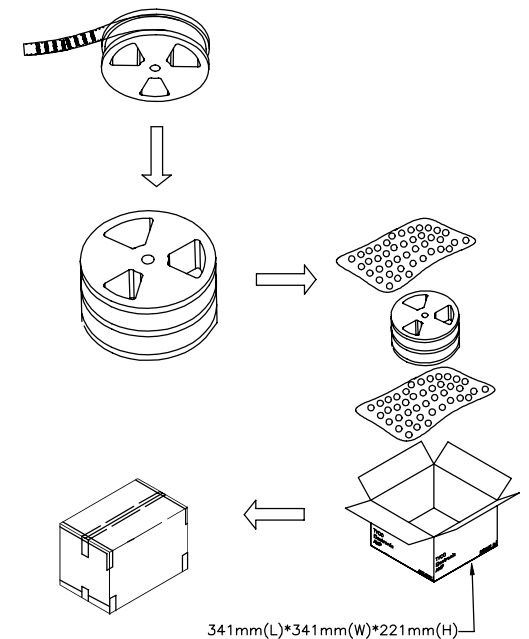
PCS/CARTON	PCS/REEL	POS	PART NUMBER
2,500	500	2P	4-1775470-2
2,500	500	6P	2-1775470-6
2,500	500	5P	2-1775470-5
2,500	500	4P	2-1775470-4
2,500	500	3P	2-1775470-3
2,500	500	2P	2-1775470-2
2,500	500	6P	1775470-6
2,500	500	5P	1775470-5
2,500	500	4P	1775470-4
2,500	500	3P	1775470-3
2,500	500	2P	1775470-2

THIS DRAWING IS A CONTROLLED DOCUMENT.

DIMENSIONS: MM	TOLERANCES UNLESS OTHERWISE SPECIFIED:	DWN	TE Connectivity
0 PLC ± -	1 PLC ± -	CHK	NAME HPI CONN., 2.0MM PITCH, V/T, SMT TYPE
2 PLC ± -	3 PLC ± -	APVD	
4 PLC ± -	ANGLES ± -	PRODUCT SPEC	SIZE A3
MATERIAL	FINISH	APPLICATION SPEC	CAGE CODE 00779
		WEIGHT	DRAWING NO C=1775470
		CUSTOMER DRAWING	RESTRICTED TO
		SCALE	SHEET 2 of 4
			REV B1

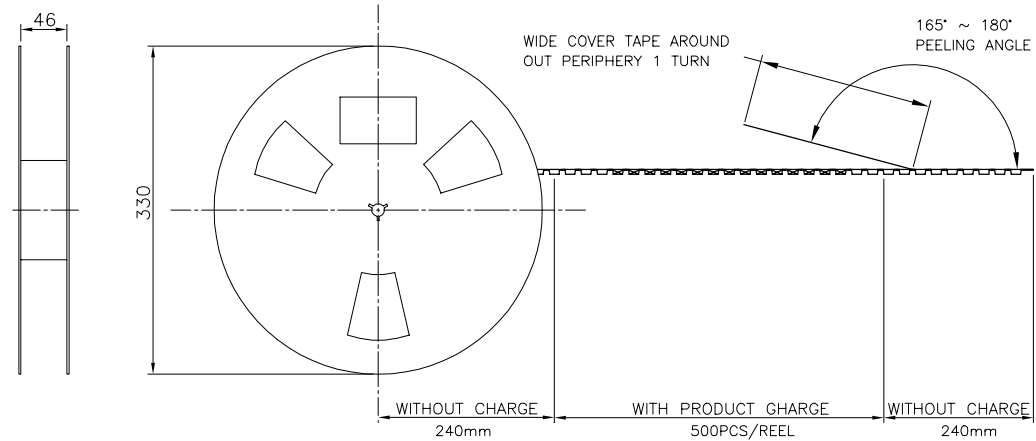


FOR 7~12PIN

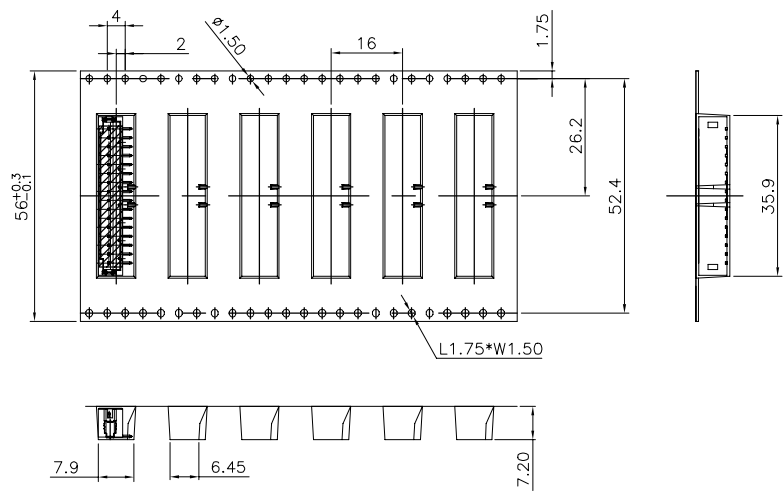
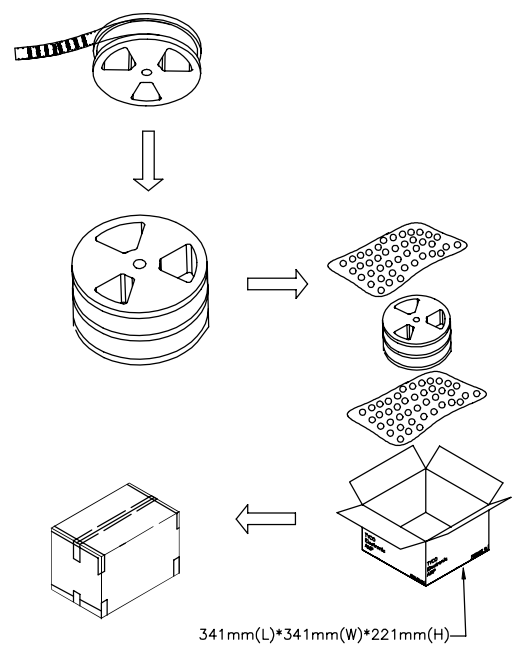


PCS/CARTON	PCS/REEL	POS	PART NUMBER
2,000	500	12P	3-1775470-2
2,000	500	11P	3-1775470-1
2,000	500	10P	3-1775470-0
2,000	500	9P	2-1775470-9
2,000	500	8P	2-1775470-8
2,000	500	7P	2-1775470-7
2,000	500	12P	1-1775470-2
2,000	500	11P	1-1775470-1
2,000	500	10P	1-1775470-0
2,000	500	9P	1775470-9
2,000	500	8P	1775470-8
2,000	500	7P	1775470-7

THIS DRAWING IS A CONTROLLED DOCUMENT.		DWN	 TE Connectivity HPI CONN., 2.0MM PITCH, V/T, SMT TYPE			
DIMENSIONS: MM		CHK				
TOLERANCES UNLESS OTHERWISE SPECIFIED: 0 PLC ± - 1 PLC ± - 2 PLC ± - 3 PLC ± - 4 PLC ± - ANGLES ± -		APVD				
MATERIAL		PRODUCT SPEC				
FINISH		APPLICATION SPEC	NAME			
		WEIGHT	SIZE	CAGE CODE	DRAWING NO	RESTRICTED TO
		CUSTOMER DRAWING	A3	00779	©=1775470	
		SCALE	SHEET	3 of 4	REV	B1



FOR 13~16PIN



PCS/CARTON	PCS/REEL	POS	PART NUMBER
1,500	500	16P	3-1775470-6
1,500	500	15P	3-1775470-5
1,500	500	14P	3-1775470-4
1,500	500	13P	3-1775470-3
1,500	500	16P	1-1775470-6
1,500	500	15P	1-1775470-5
1,500	500	14P	1-1775470-4
1,500	500	13P	1-1775470-3

THIS DRAWING IS A CONTROLLED DOCUMENT.

DIMENSIONS: MM	TOLERANCES UNLESS OTHERWISE SPECIFIED:	DWN	TE Connectivity
0 PLC ± -	1 PLC ± -	CHK	NAME HPI CONN., 2.0MM PITCH, V/T, SMT TYPE
2 PLC ± -	3 PLC ± -	APVD	
4 PLC ± -	ANGLES ± -	PRODUCT SPEC	SIZE
MATERIAL	FINISH	APPLICATION SPEC	CAGE CODE
		WEIGHT	DRAWING NO
			A300779
			RESTRICTED TO
			©=1775470
			CUSTOMER DRAWING
			SCALE
			SHEET 4 of 4
			REV B1

单击下面可查看定价，库存，交付和生命周期等信息

[>>TE Connectivity\(泰科\)](#)