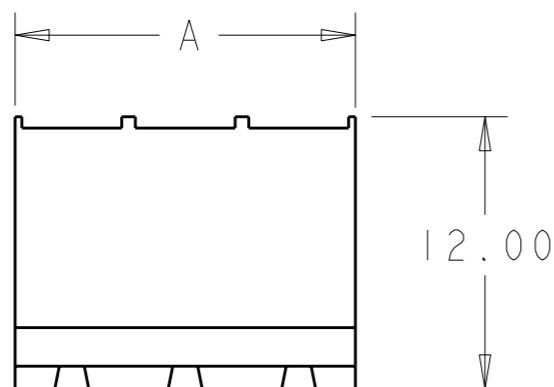
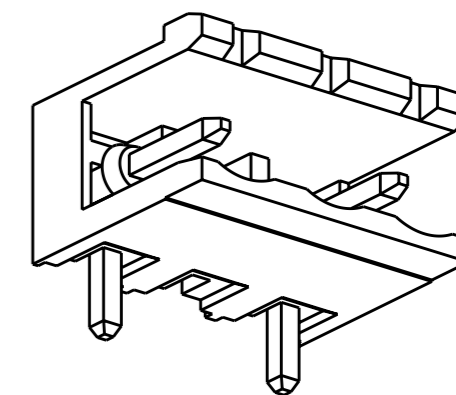


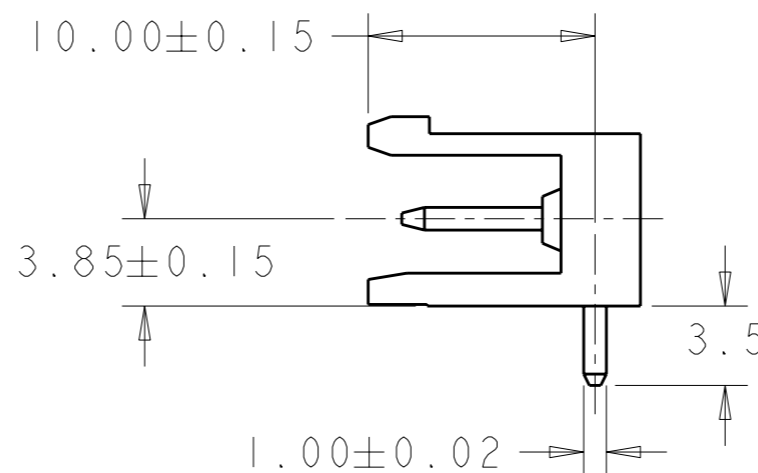
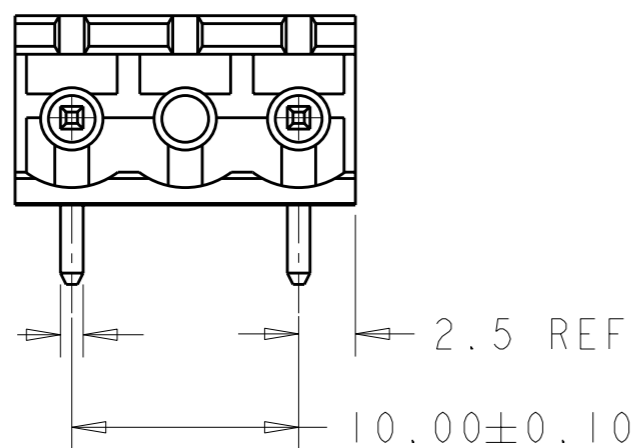
LOC	DIST	REVISIONS			
P	LTR	DESCRIPTION	DATE	DWN	APVD
FT	0	D	REVISED PER ECO-12-007964	02MAY2012	KH MS



- 1 MATERIALS AND FINISH  
HOUSING: PA 6-6, UL 94-V0, COLOR GREEN.  
TERMINAL: COPPER ALLOY, TIN PLATED.
- 2 SUITABLE FOR 1,6-2,4mm PC BOARD THICKNESS.
- 3 RECOGNIZED UNDER THE COMPONENT PROGRAM OF  
UNDERWRITERS LABORATORIES INC. FILE N° E60677.
- 4 IMQ CERTIFICATE WITH SURVEILLANCE IN  
CONFORMITY WITH IEC 998-1/998-2-1.
- 5 NOT CUMULATIVE TOLERANCE.

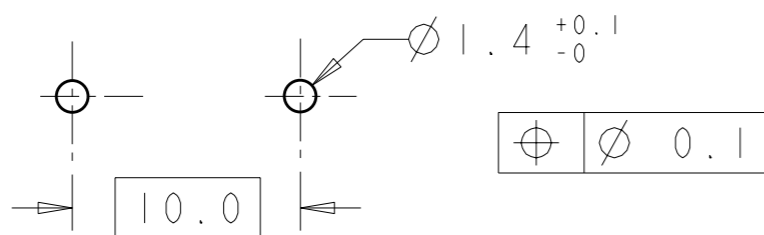


282817-2 AS SHOWN



125	13	1-282817-3
115	12	1-282817-2
105	11	1-282817-1
95	10	1-282817-0
85	9	282817-9
75	8	282817-8
65	7	282817-7
55	6	282817-6
45	5	282817-5
35	4	282817-4
25	3	282817-3
15	2	282817-2
DIM. A	N° OF POS.	PART NUMBER

RECOMMENDED PC BOARD LAYOUT



THIS DRAWING IS A CONTROLLED DOCUMENT.		DWN E. ZANOLINI 26 JUL 2001		<b>TE Connectivity</b>	
DIMENSIONS: mm		CHK D. BIEVENOUR 26 JUL 2001			
TOLERANCES UNLESS OTHERWISE SPECIFIED:		APVD D. BIEVENOUR 26 JUL 2001		NAME	
0 PLC ±-		PRODUCT SPEC		TERMINAL BLOCK HEADER ASSEMBLY	
1 PLC ±.2		108-20166		90 DEGREE OPEN ENDS	
2 PLC ±.25		APPLICATION SPEC		10mm PITCH	
3 PLC ±-		114-20079		SIZE	
4 PLC ±-		WEIGHT -		A300779	
ANGLES ±2		CUSTOMER DRAWING		CAGE CODE	
MATERIAL		FINISH		DRAWING NO	
1		1		C-282817	
				RESTRICTED TO	
				-	
				SCALE 3:1	
				SHEET 1 OF 1	
				REV D	

单击下面可查看定价，库存，交付和生命周期等信息

[>>TE Connectivity\(泰科\)](#)