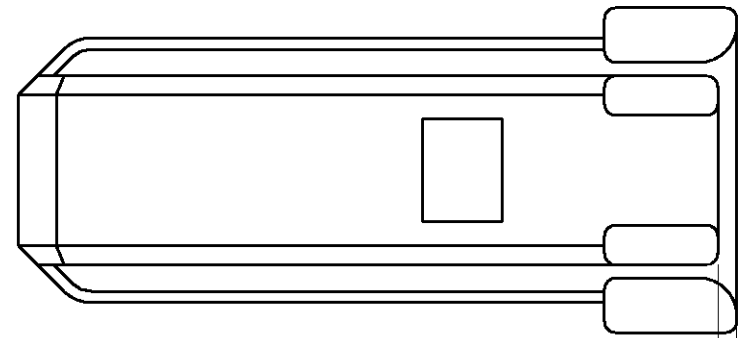


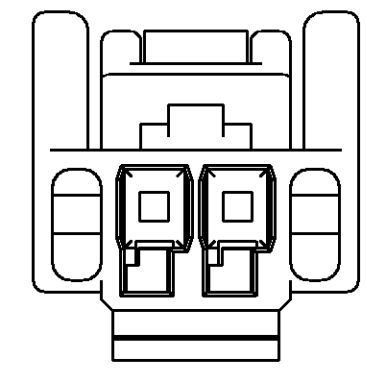
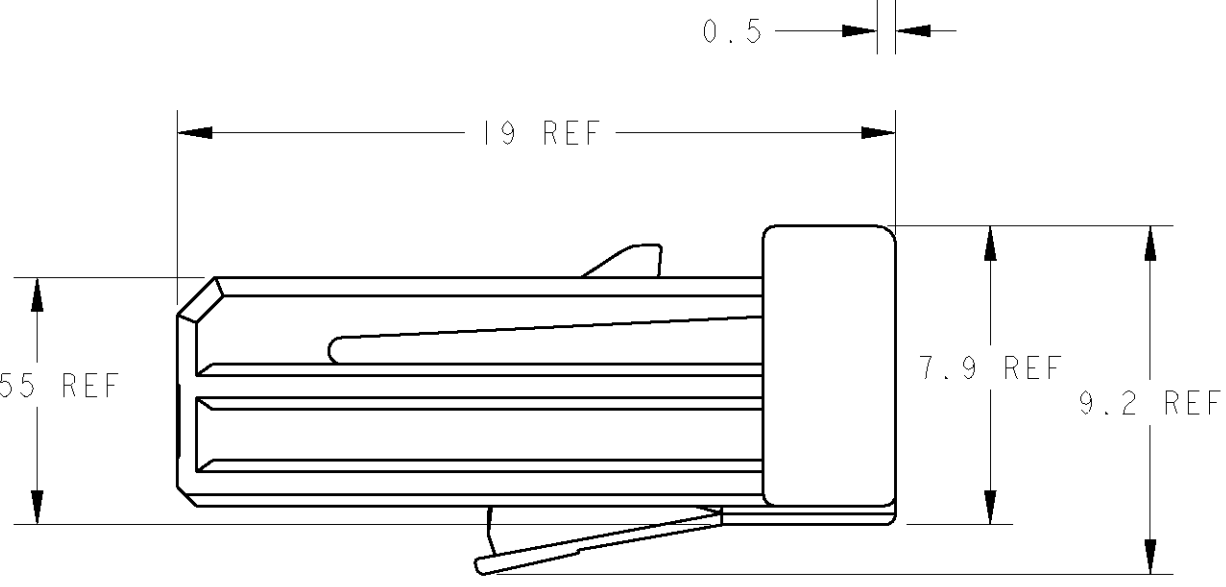
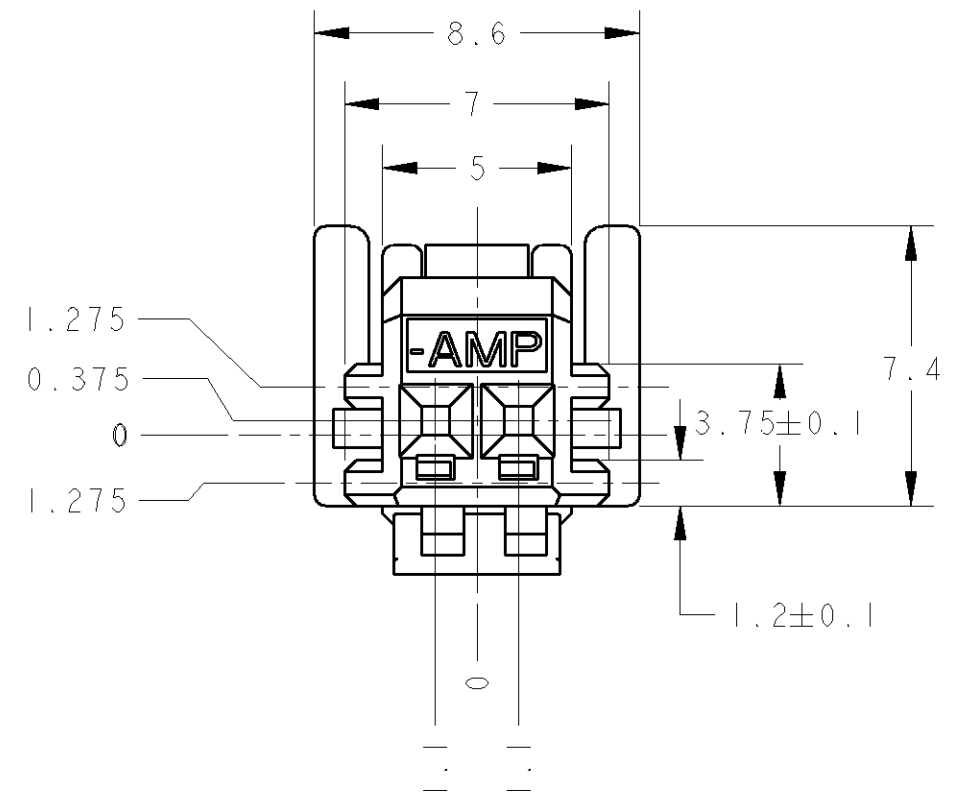
THIS DRAWING IS UNPUBLISHED. RELEASED FOR PUBLICATION 20
 © COPYRIGHT 20 BY TYCO ELECTRONICS CORPORATION. ALL RIGHTS RESERVED.

LOC	DIST	REVISIONS						
		P	LTR	DESCRIPTION	ECN	DATE	DWN	APVD
J	-	0		RELEASED	FJ00-1977-00	08FEB01	DM	NS
		01		REVISED	FJA0-0242-04	14APR04	AY	KB



1. INSTRUCTION SHEET ; 411-5933
2. DOUBLE LOCK SHOULD BE SET TO THE PRE-ASSEMBLY POSITION WITHIN THE PLUG HOUSING WHEN SHIPPED TO THE CUSTOMER.
3. DETAILS OF CAVITY ; SEE TABLE I

1. 取扱説明書 ; 411-5933
2. ダブルロックは、仮係止状態で出荷される。
3. キャビティ構成は、TABLE - I 参照。



NATURAL	1473143-2
BLACK	1473143-1
COLOR	PART NUMBER

TABLE - I

	FINISH 仕上	POS 極数	APPLIED TERMINAL AMP P/N	適用端子 AMP P/N	APPLICABLE WIRE RANGE 適用電線
SIGNAL 025	TIN	2	1123343-1		CAVS 0.22-0.5mm ² AVSS,CAVUS 0.3-0.5mm ² AVSSH-f 0.3-0.5mm ²

THIS DRAWING IS A CONTROLLED DOCUMENT FOR TYCO ELECTRONICS CORPORATION
 IT IS SUBJECT TO CHANGE AND THE CONTROLLING ENGINEERING ORGANIZATION
 SHOULD BE CONTACTED FOR THE LATEST REVISION.

DIMENSIONS:
単位: 概
mm

TOLERANCES UNLESS
OTHERWISE SPECIFIED:
±0.3

0-PLC ±
1-PLC ±0.1
2-PLC ±0.01
3-PLC ±0.001
4-PLC ±0.0001
ANGLES ±3'00"

MATERIAL PBT GF15
FINISH 仕上 SEE TABLE

DWN 07-Nov-00
D. MATSUURA
CHK 07-Nov-00
T. KOHNO
APVD 07-Nov-00
N. SAI

PRODUCT SPEC
108-5675

APPLICATION SPEC
114-5250

WEIGHT 0.61g

CUSTOMER DRAWING

WIRE RANGE
抱合電線断面積 -

INSULATION DIA
被覆外径 -

tyco
Electronics

Tyco Electronics AMP K.K.
Kawasaki, Japan

NAME
名称 025 SERIES CONNECTOR
2POSITION PLUG HOUSING

SIZE A3 CAGE CODE 00779 DRAWING NO 1473143 RESTRICTED TO -

SCALE 5:1 SHEET 1 OF 1 REV 01

单击下面可查看定价，库存，交付和生命周期等信息

[>>TE Connectivity\(泰科\)](#)