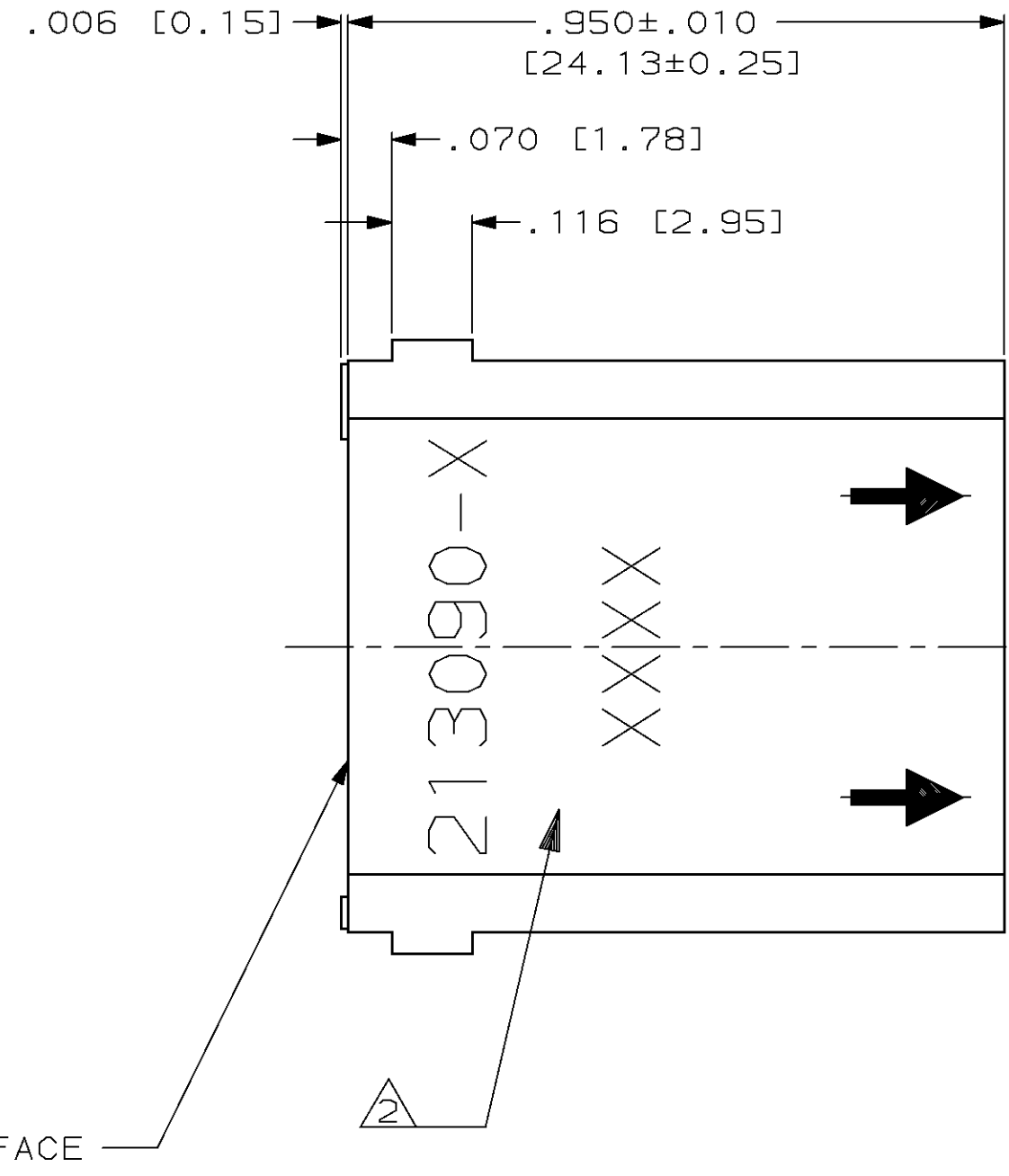
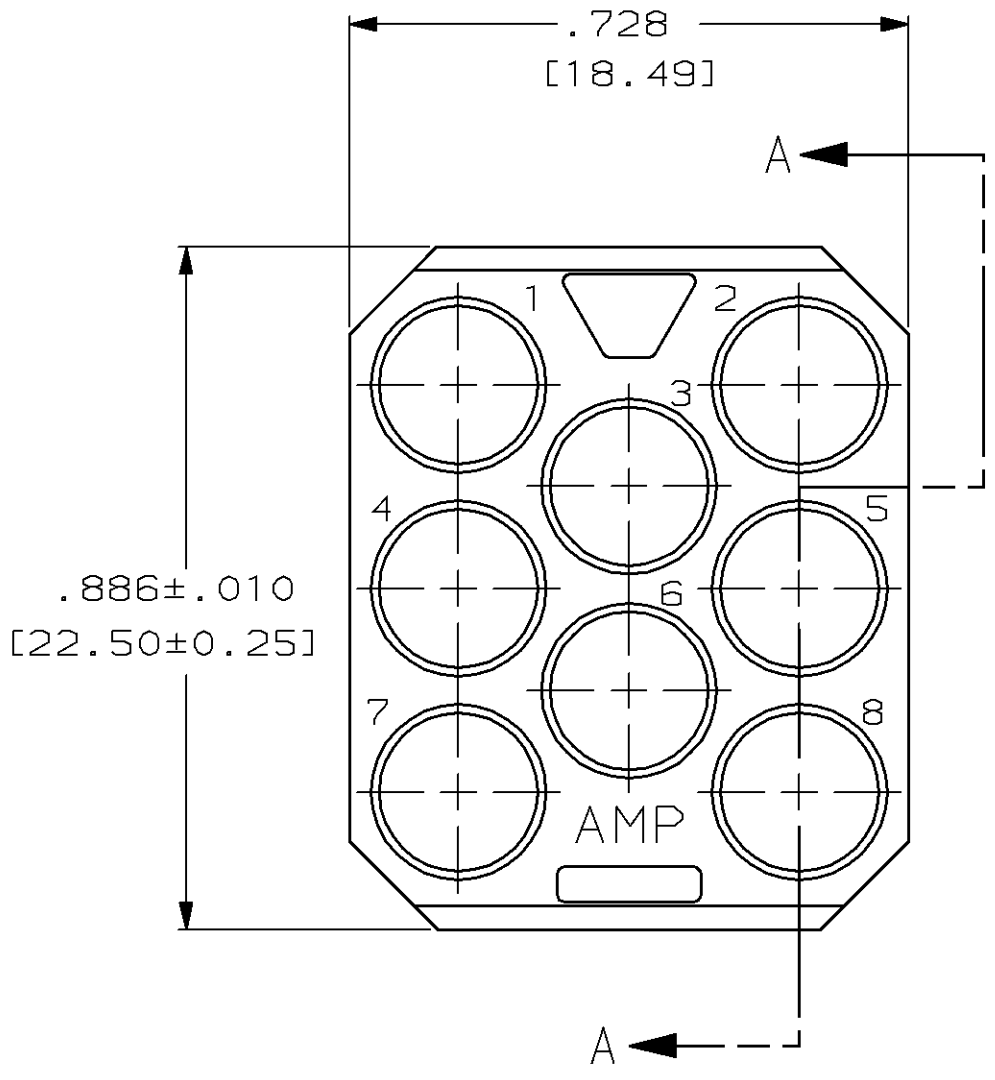
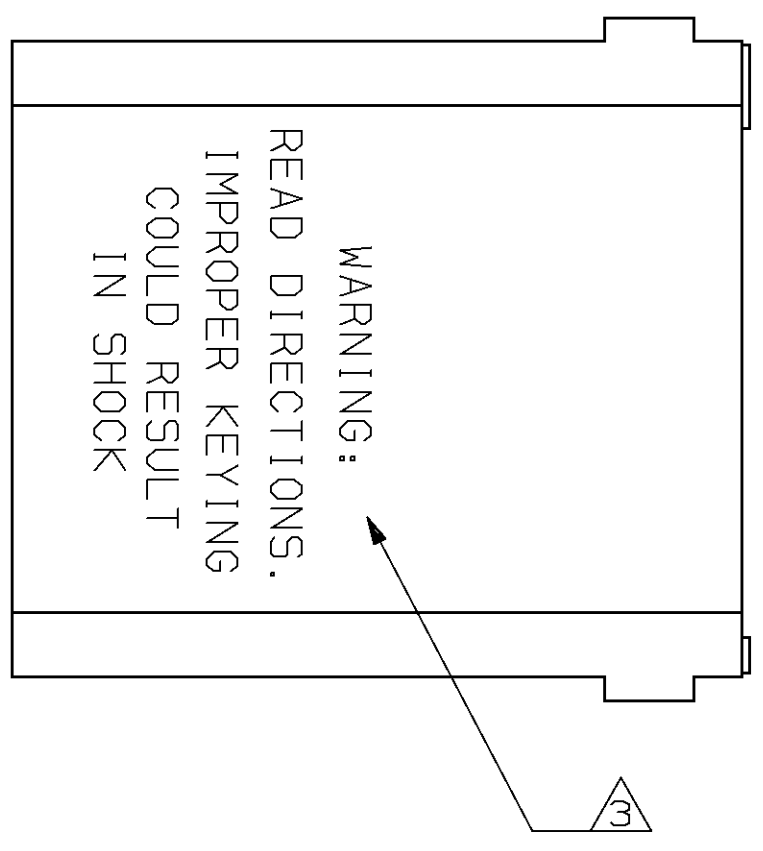
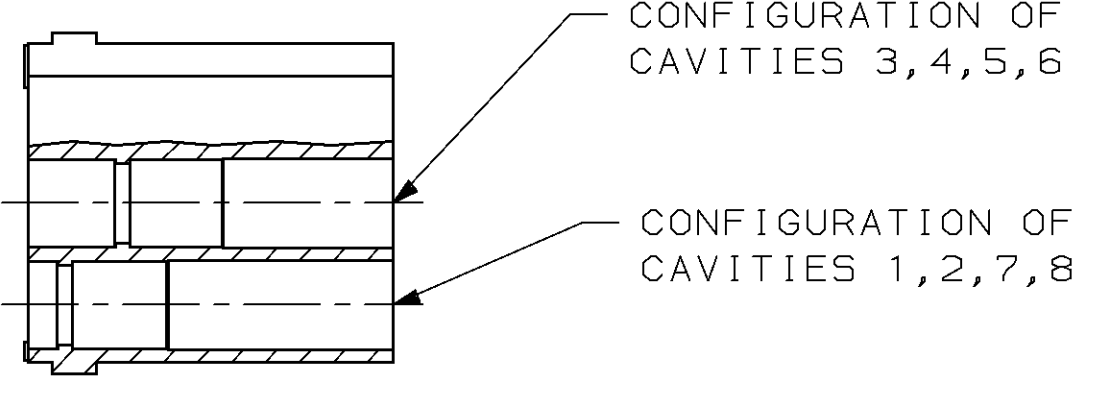


LOC	DIST	P	F	ZONE	LTR	DESCRIPTION	DATE	APPD
DF	BO				C	REV & REDRAWN DF-4297	PY 11-91	DBM
					D	REV PER 0600-4161-95 JB	08-30-95	DBM



- ① MATERIAL: DIALLYL PHTHALATE PER MIL-M-14, TYPE SDG-F, COLOR-BLUE
- ② AMP PART NO AND DATE CODE AND ARROWS MARKED WITH WHITE INK OR BY LASER MARKING AT APPROX AREA SHOWN
- ③ WARNING STATEMENT MARKED WITH WHITE INK AT APPROX AREA SHOWN
- 4. THIS MODULE ACCEPTS MINIATURE COAXICON AND TYPE I-SIZE 12 PIN CONTACTS

DESCRIPTION	PART NUMBER
CAVITY CONFIGURATION PER VIEW A	213090-4
ALL CAVITIES IDENTICAL TO CAVITY 3	213090-2



VIEW A  
 SCALE 2:1  
 (SEE TABLE)

DO NOT SCALE PRINT. UNLESS SPECIFIED DIMENSIONS IN INCHES [mm] TOLERANCES ON : 2 PLC DEC ± - 3 PLC DEC ± .005 ANGLES ± -		DR 7-16-91 P.YEAGER		AMP Incorporated Harrisburg, PA 17105-3608		
MATERIAL		CHK 11-12-91 D.B.MUMMEY				
FINISH		APPD 11-12-91 D.B.MUMMEY		NAME		
-		APPD -		MALE BLOCK 8 POSN, G SERIES		
-		PRODUCT SPEC				
-		APPLICATION SPEC		SIZE	CAGE CODE	DRAWING NO
-		-		©	00779	213090
-		WEIGHT -		SCALE	4:1	SHEET 1 OF 1

单击下面可查看定价，库存，交付和生命周期等信息

[>>TE Connectivity\(泰科\)](#)