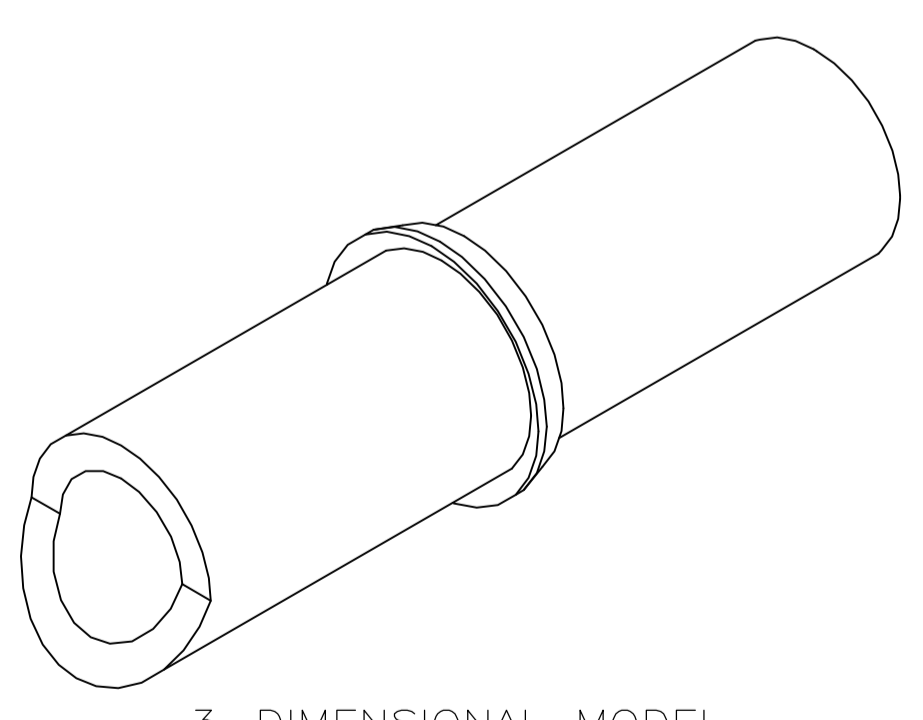
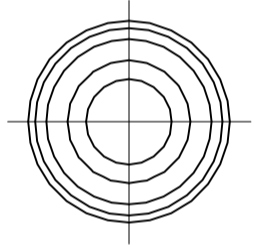
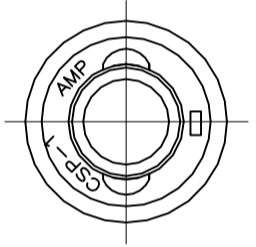
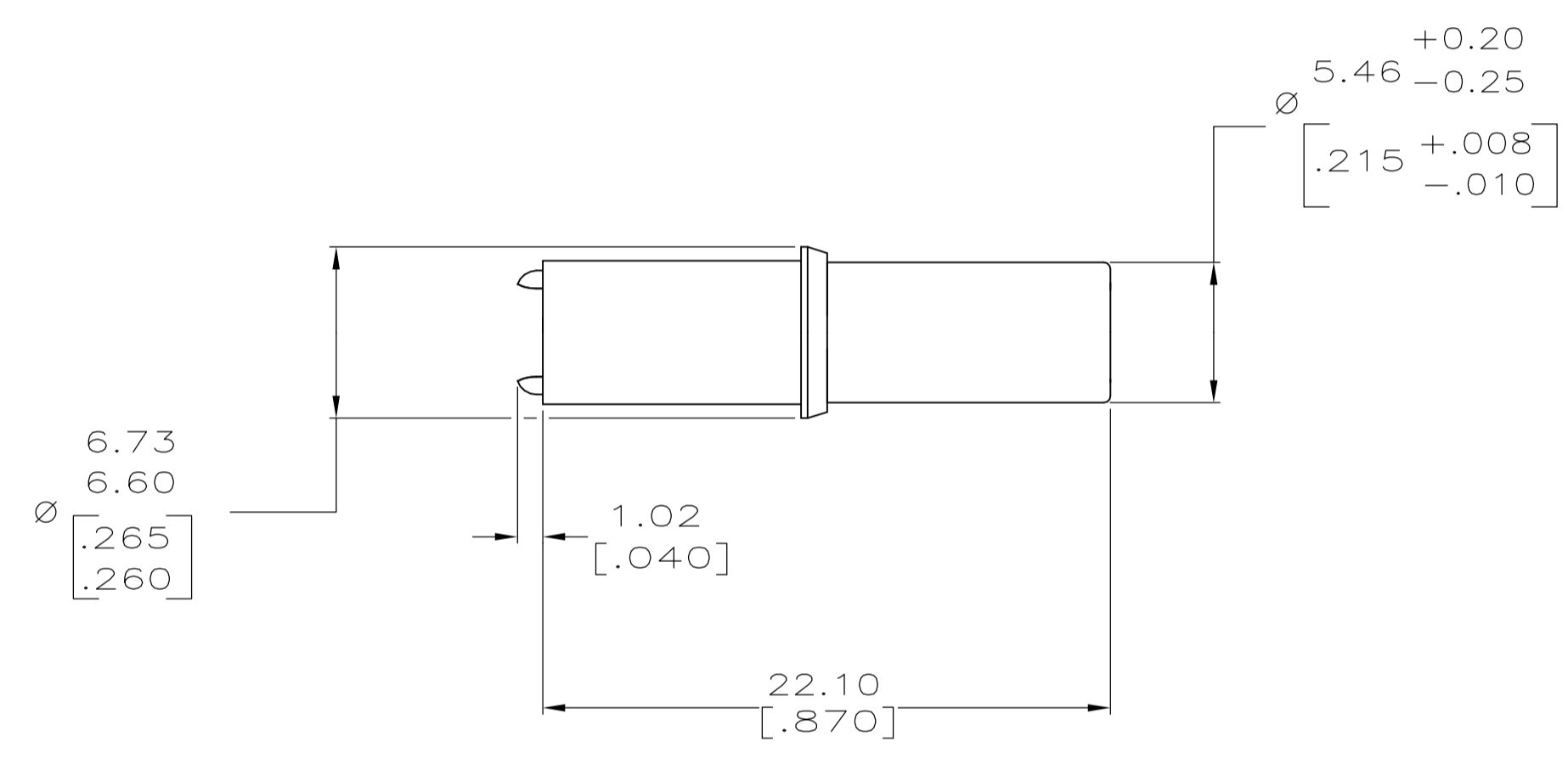
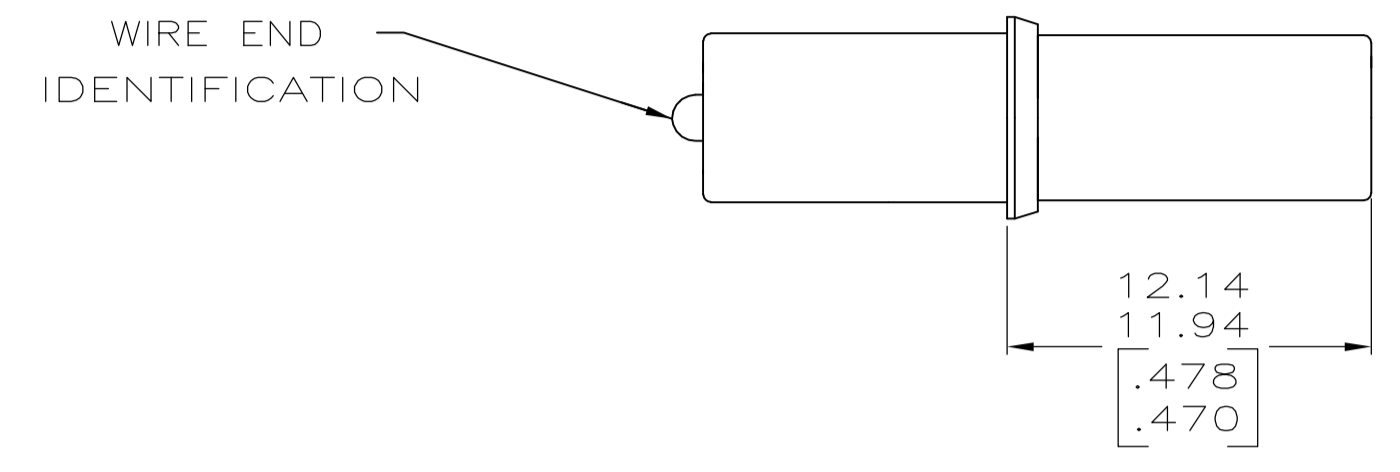
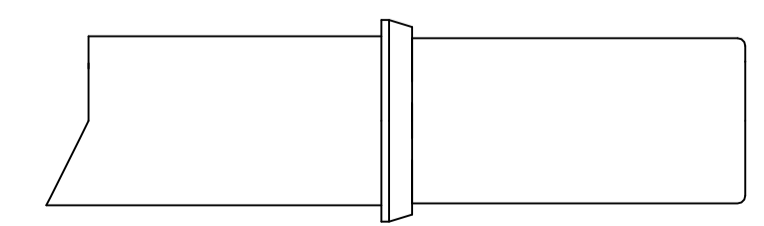
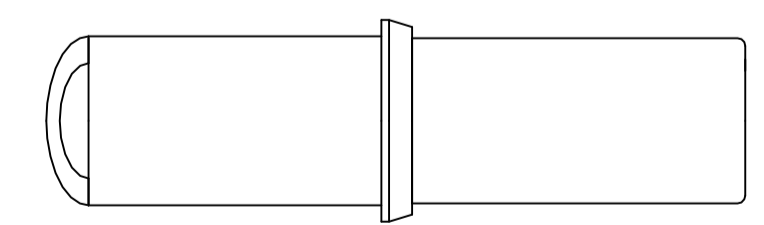


LOC		DIST		REVISIONS			
P	LTR	DESCRIPTION	DATE	DNW	APVD		
K1		REVISED PER ECO-11-004820	11MAR11	RK	HMR		

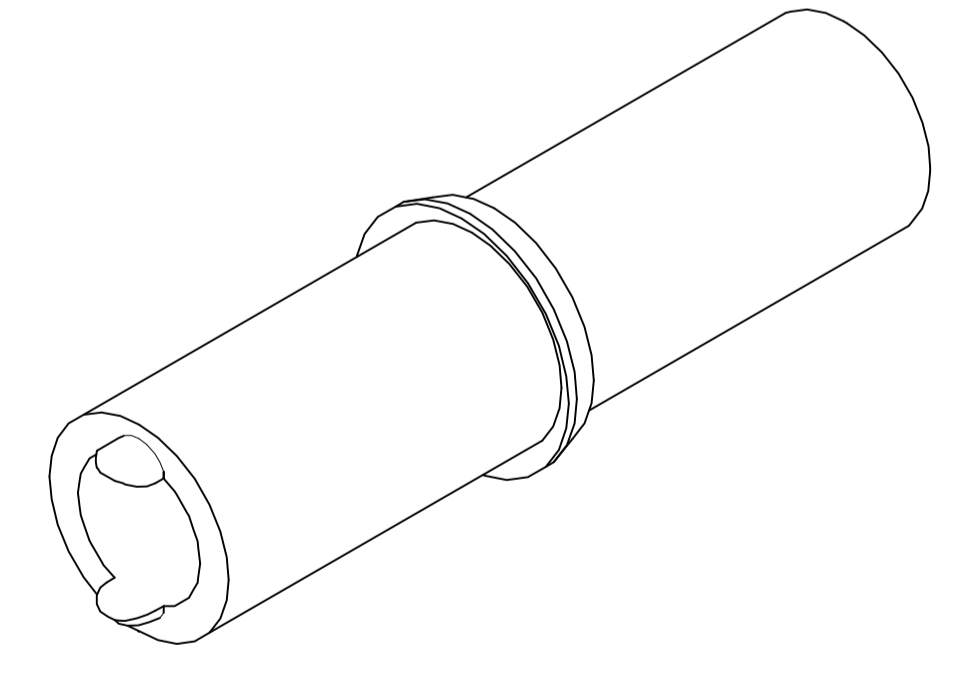
1. TO BE USED WITH APPROPRIATE COMMERCIAL MATE-N-LOK SOCKETS.
2. MATES WITH CAP 480350 OR 480351.
3. DIMENSIONS IN BRACKETS ARE IN INCHES.



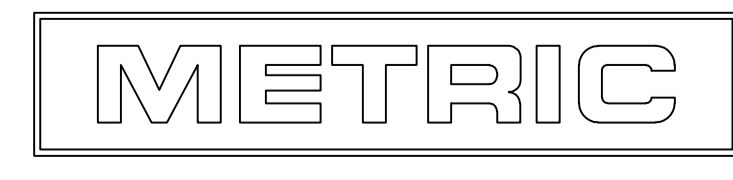
3-DIMENSIONAL MODEL
NTS



ALTERNATE CONSTRUCTION
(FOR FOREIGN PRODUCTION ONLY)



3-DIMENSIONAL MODEL
NTS



BLUE	1-480349-6
GREEN	1-480349-5
RED	1-480349-2
NATURAL	1-480349-0
COLOR	PART NO.

THIS DRAWING IS A CONTROLLED DOCUMENT.		DIN K SALMON 3-8-94		APVD C MARTIN		NAME	
DIMENSIONS: INCHES		TOLERANCES UNLESS OTHERWISE SPECIFIED:		APVD R SWING 3-8-94		TE Connectivity	
0. PLC ± -		1. PLC ± -		APPLICATION SPEC		TM PLUG, SINGLE CIRCUIT,	
1. PLC ± -		2. PLC ± 0.13[.005]		SIZE		CAGE CODE DRAWING NO	
2. PLC ± -		3. PLC ± -		WEIGHT		RESTRICTED TO	
3. PLC ± -		4. PLC ± -		MATERIAL NYLON		SCALE 4:1 SHEET 1 OF 1 REV K1	
4. PLC ± -		ANGLES ± -		CUSTOMER DRAWING		A1 00779 C=480349	

单击下面可查看定价，库存，交付和生命周期等信息

[>>TE Connectivity\(泰科\)](#)