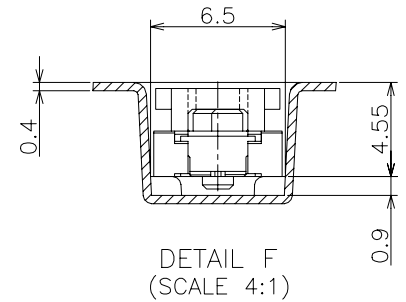
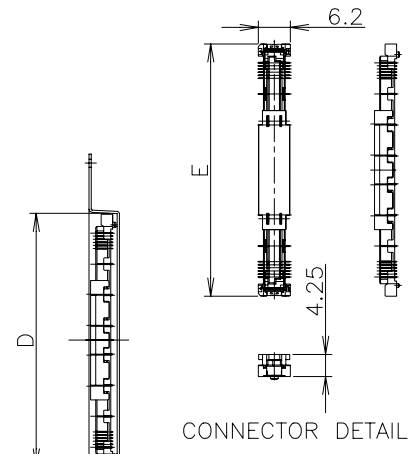
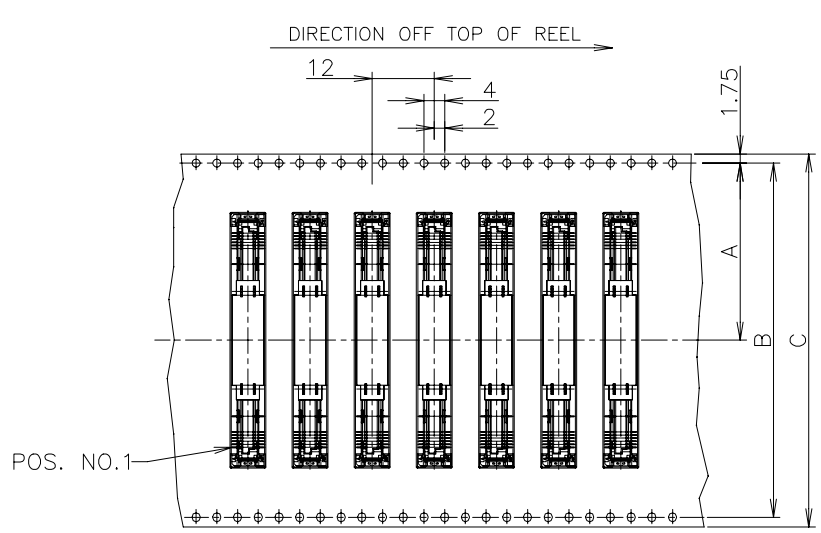
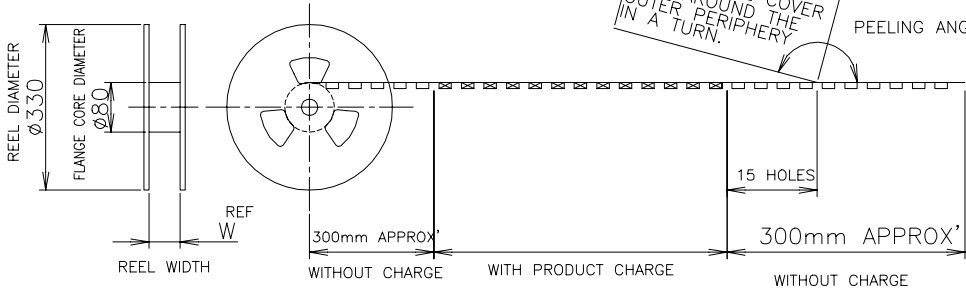


REVISIONS					
変更					
P	LTR	DESCRIPTION	DATE	DWN	APVD
	C	ECO-20-017853: G-CONTACT TAIL GOLD FLASH	18DEC2020	A.L	H.L



WEEDING THE COVER TAPE AROUND THE OUTER PERIPHERY IN A TURN.
PEELING ANGLE 165°~180°



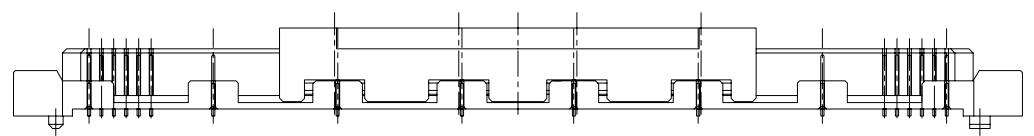
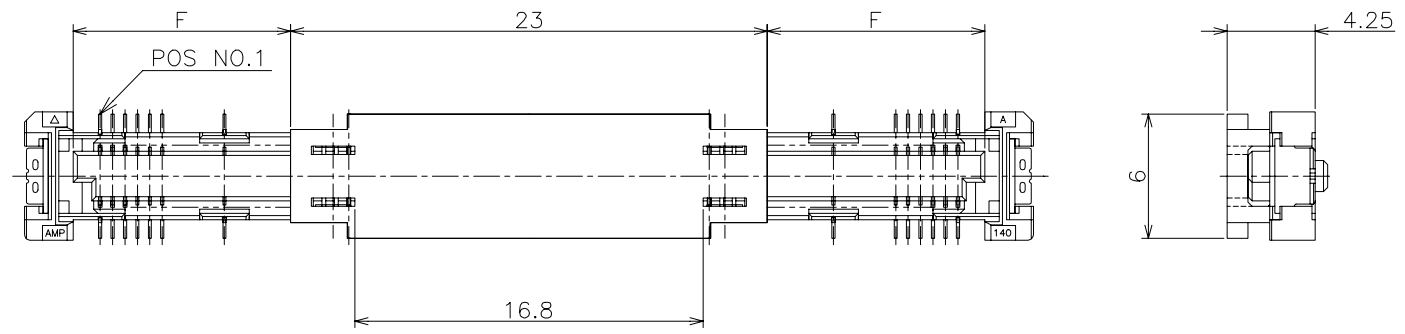
SEALANT	TOOLING STATUS	QTY.	W	E	D	C	B	A	POS.	PART NO.	
SEALANT	NOT AVAILABLE		77.5	54.7	55	72	68.4	34.2	160		
			77.5	48.7	49	72	68.4	34.2	140		
			61.5	42.7	43	56	52.4	26.2	120		
			61.5	36.7	37	56	52.4	26.2	100		
			61.5	33.7	34	56	52.4	26.2	90		
			49.5	30.7	31	44	40.4	20.2	80		
			49.5	27.7	28	44	40.4	20.2	70		
			49.5	24.7	25	44	40.4	20.2	60		
			37.5	21.7	22	32	28.4	14.2	50		
			900	77.5	54.7	55	72	68.4	34.2	160	
NON SEALANT	AVAILABLE		77.5	48.7	49	72	68.4	34.2	140	1-2069480-0	
	NOT AVAILABLE		61.5	42.7	43	56	52.4	26.2	120		
			61.5	36.7	37	56	52.4	26.2	100		
			61.5	33.7	34	56	52.4	26.2	90		
			49.5	30.7	31	44	40.4	20.2	80		
			49.5	27.7	28	44	40.4	20.2	70		
			49.5	24.7	25	44	40.4	20.2	60		
			37.5	21.7	22	32	28.4	14.2	50		
			900	77.5	54.7	55	72	68.4	34.2	160	
				77.5	54.7	55	72	68.4	34.2	160	

THIS PRODUCT WAS COATED BY FLUX-PENETRATION -INHIBITING AGENT.

THIS DRAWING IS A CONTROLLED DOCUMENT.

DIMENSIONS: 单位: 耗 mm	TOLERANCES UNLESS OTHERWISE SPECIFIED: 一般公差	DWN Y.OKOSHI 21OCT2008	TE Connectivity Ltd.
0 PLC ± 0.2 1 PLC ± 0.2 2 PLC ± 0.2 3 PLC ± 0.2 4 PLC ± 0.2 ANGLES ± 5'	FINISH 仕上	CHK S.KAJINUMA 21OCT2008	
MATERIAL 材料		APVD T.FUTATSUGI 21OCT2008	NAME 名称
		PRODUCT SPEC 製品規格 108-5468	EMBOSS ASSY FH 0.6 BTB CONNECTOR REC 4H W/G-CONT WITH 1ROW CAP
		APPLICATION SPEC 取付適用規格	SIZE A3
		WEIGHT	CAGE CODE 00779
		CUSTOMER DRAWING	DRAWING NO C=2069480
			RESTRICTED TO
			SCALE 尺度 1:1
			SHEET 1 OF 4
			REV C

REVISIONS					
変更					
P	LTR	DESCRIPTION	DATE	DWN	APVD
-	-	SEE SHEET 1	-	-	-



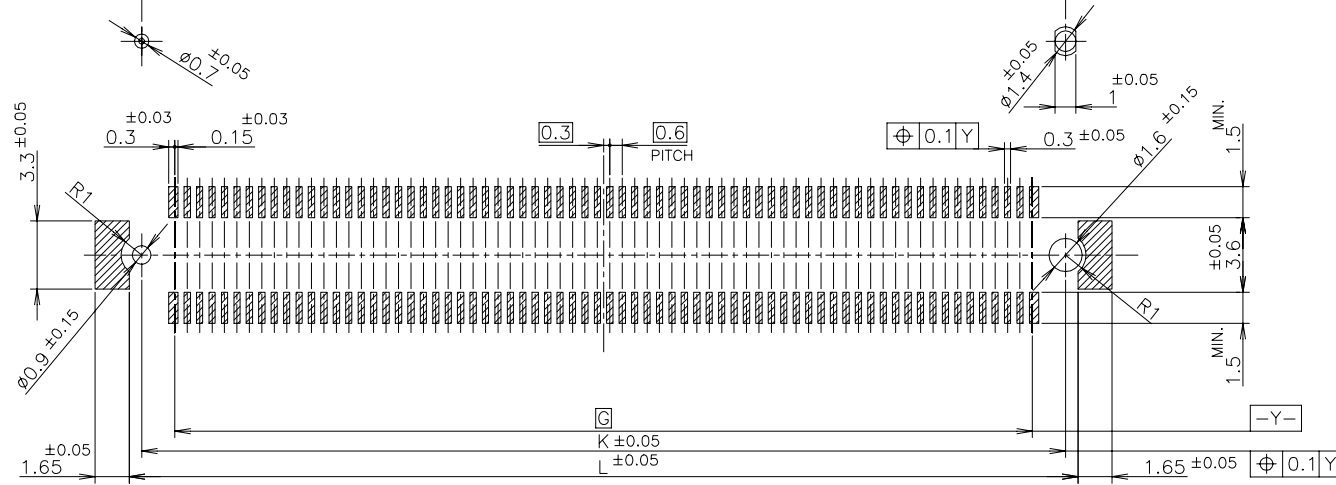
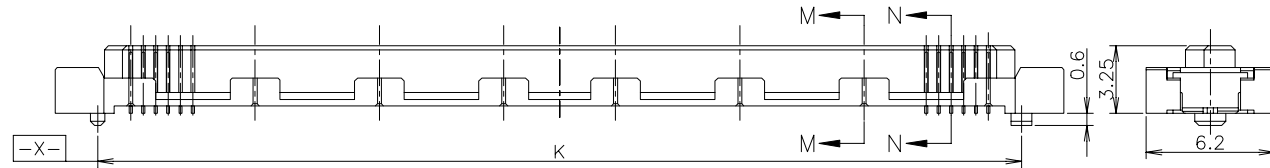
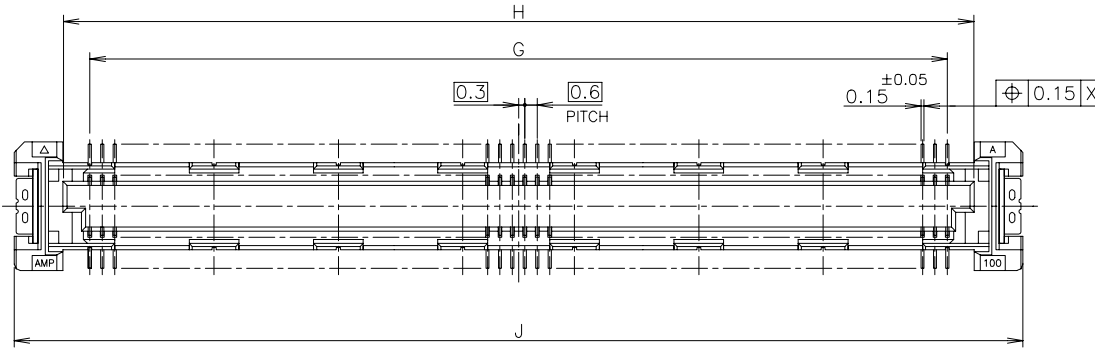
NOT AVAILABLE		160	
AVAILABLE	10.5	140	1-2069480-0
NOT AVAILABLE		120	
NOT AVAILABLE		100	
NOT AVAILABLE		90	
TOOLING STATUS	F	POS	CAP P/N

5 CONNECTORS DIMENSION AND REFERENCE P.C BOARD LAYOUT : SEE SHEET 3.

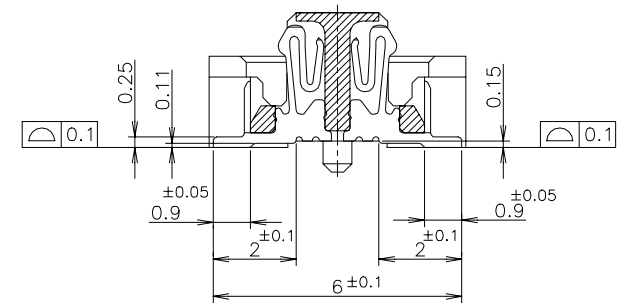
THIS DRAWING IS A CONTROLLED DOCUMENT.		DWN	TE TE Connectivity Ltd.	
DIMENSIONS: 单位: 耗 mm		CHK		
TOLERANCES UNLESS OTHERWISE SPECIFIED: 一般公差		APVD	NAME 名称	
0 PLC ± 0.2		PRODUCT SPEC 製品規格	EMBOSS ASSY	
1 PLC ± 0.2		APPLICATION SPEC 取付適用規格	FH 0.6 BTB CONNECTOR	
2 PLC ± 0.2		WEIGHT	REC 4H W/G-CONT WITH 1ROW CAP	
3 PLC ± 0.2		CUSTOMER DRAWING	SIZE A3	DRAWING NO C=2069480
4 PLC ± 0.2			CAGE CODE 00779	RESTRICTED TO
4 ANGLES ± 3'			SCALE 尺度 4:1	SHEET 2 OF 4
MATERIAL 材料	FINISH 仕上			REV C

REVISIONS

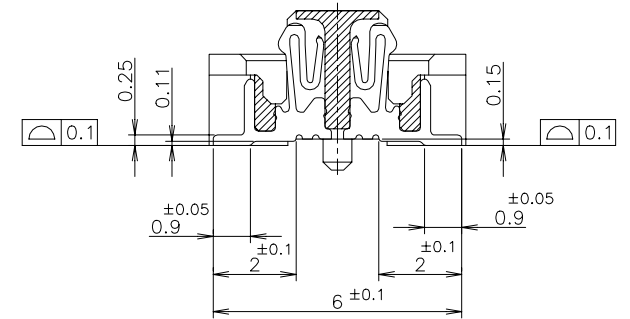
P	LTR	DESCRIPTION	DATE	DWN	APVD
-	-	SEE SHEET 1	-	-	-



REFERENCE P.C. BOARD LAYOUT



N-N
(SIGNAL POSITION)
(SCALE 8:1)



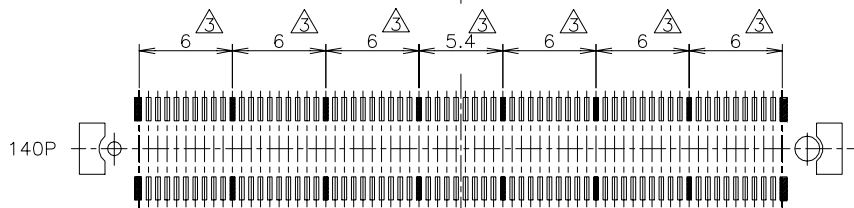
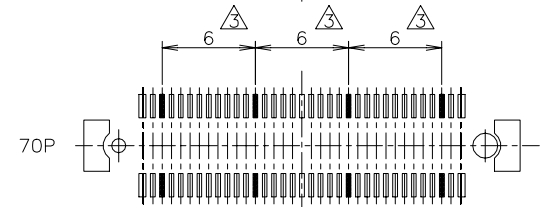
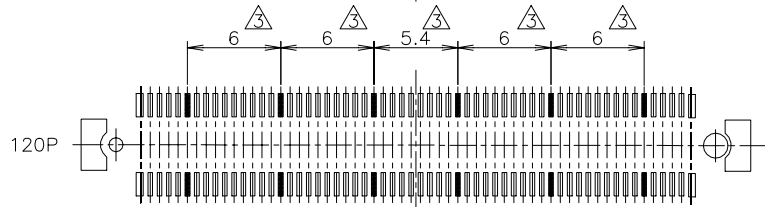
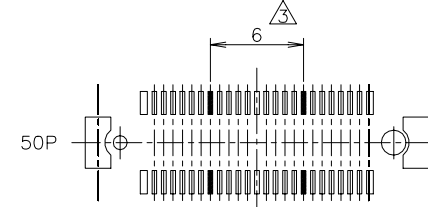
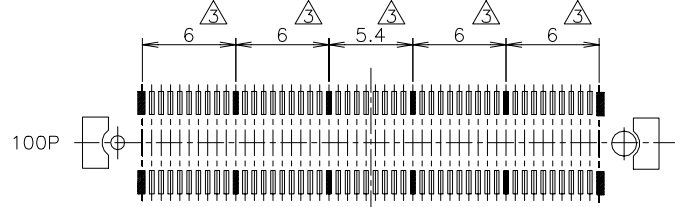
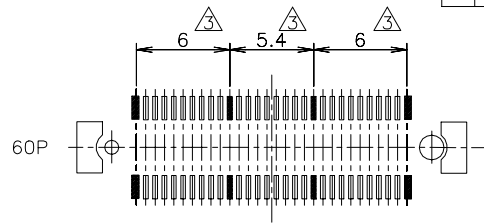
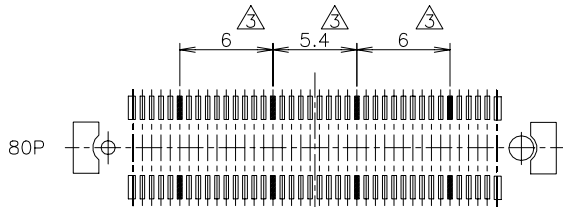
M-M
(GROUND POSITION)
(SCALE 8:1)

NOT AVAILABLE	51.8	50.6	54.7	50	47.4	160
AVAILABLE	45.8	44.6	48.7	44	41.4	140
NOT AVAILABLE	39.8	38.6	42.7	38	35.4	120
	33.8	32.6	36.7	32	29.4	100
	30.8	29.6	33.7	29	26.4	90
	27.8	26.6	30.7	26	23.4	80
	24.8	23.6	27.7	23	20.4	70
	21.8	20.6	24.7	20	17.4	60
NOT AVAILABLE	18.8	17.6	21.7	17	14.4	50
TOOLING STATUS	L	K	J	H	G	POS

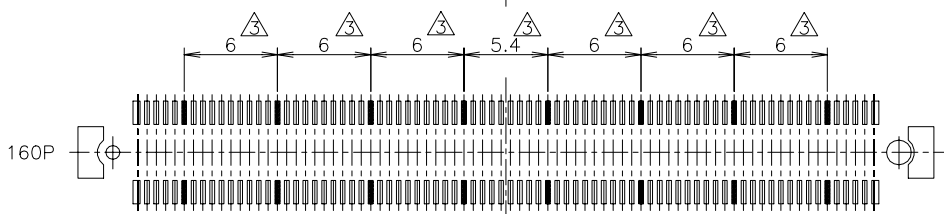
THIS DRAWING IS A CONTROLLED DOCUMENT.

DIMENSIONS: 單位: 耗 mm	TOLERANCES UNLESS OTHERWISE SPECIFIED: 一般公差	DWN	TE Connectivity Ltd. EMBOSS ASSY FH 0.6 BTB CONNECTOR REC 4H W/G-CONT WITH 1ROW CAP
	0 PLC ± 0.3 1 PLC ± 0.3 2 PLC ± 0.3 3 PLC ± 0.3 4 PLC ± 0.3 ANGLES ± 3°	CHK	
MATERIAL 材料	FINISH 仕上	APVD	
		PRODUCT SPEC 製品規格 APPLICATION SPEC 取付適用規格	
CUSTOMER DRAWING		WEIGHT	NAME 名稱 SIZE A3 CAGE CODE 00779 DRAWING NO 番号 G=2069480
		CUSTOMER DRAWING	RESTRICTED TO SCALE 尺度 4:1 SHEET 3 OF 4 REV C

REVISIONS					
P	LTR	DESCRIPTION	DATE	DWN	APVD
-	-	SEE SHEET 1	-	-	-



- △ MATERIAL ; HOUSING : HIGH TEMP THERMO PLASTIC
UL94V-0
- △ FINISH ; CONTACT : COPPER ALLOY
- △ UNDER PL Ni 0.0013mm MIN ALL OVER.
- △ CONTACT AREA 0.00076 MIN Au PL.
- △ SOLDERING AREA: SIGNAL POS 0.00005 MIN Au PL.
- △ GROUND POS 0.00005 MIN Au PL.
- △ THIS POSITION IS GROUND CIRCUIT.



THIS DRAWING IS A CONTROLLED DOCUMENT.		DWN	TE Connectivity Ltd.	NAME 名称 EMBOSS ASSY FH 0.6 BTB CONNECTOR REC 4H W/G-CONT WITH 1ROW CAP	
DIMENSIONS: 单位: 耗 mm	TOLERANCES UNLESS OTHERWISE SPECIFIED: 一般公差	CHK			APVD
	0 PLC ± 0.3 1 PLC ± 0.3 2 PLC ± 0.3 3 PLC ± 0.3 4 PLC ± 0.3 ANGLES ± 3°	PRODUCT SPEC 製品规格			SIZE
	MATERIAL 材料	FINISH 仕上			APPLICATION SPEC 取付適用规格
		WEIGHT	DRAWING NO 番号	RESTRICTED TO	
		CUSTOMER DRAWING	A3 00779	G=2069480	
		SCALE 尺度	3:1	SHEET 4 OF 4	REV C

单击下面可查看定价，库存，交付和生命周期等信息

[>>TE Connectivity\(泰科\)](#)