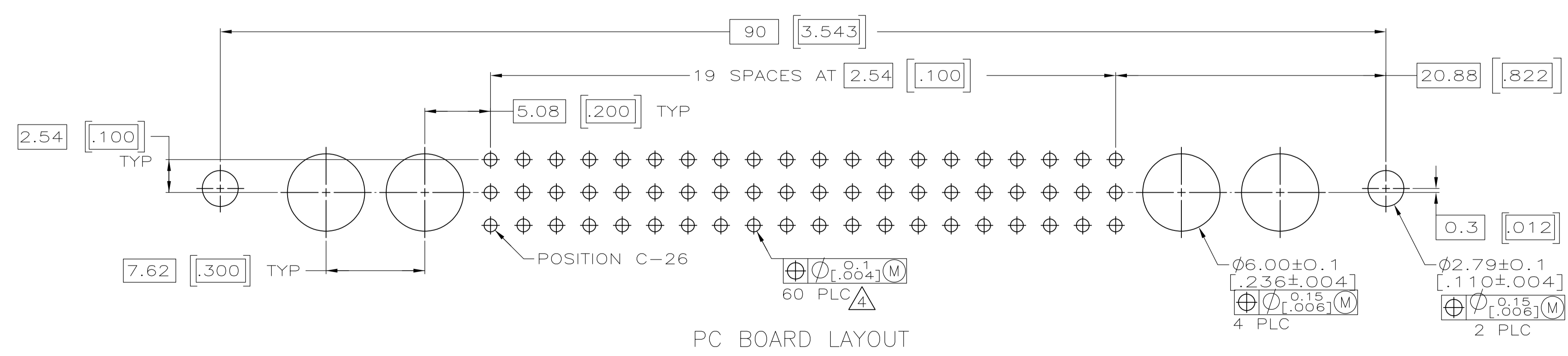
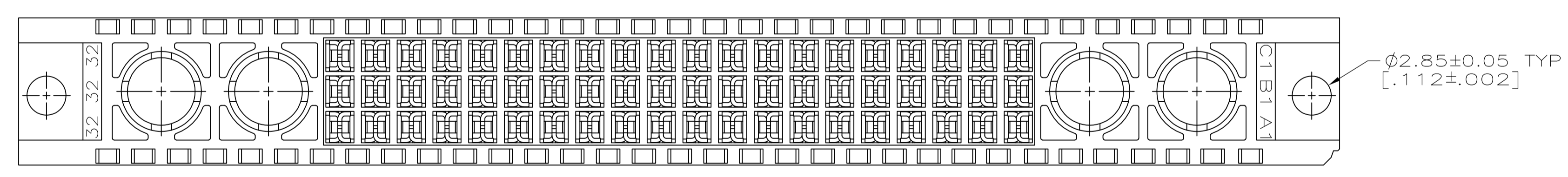
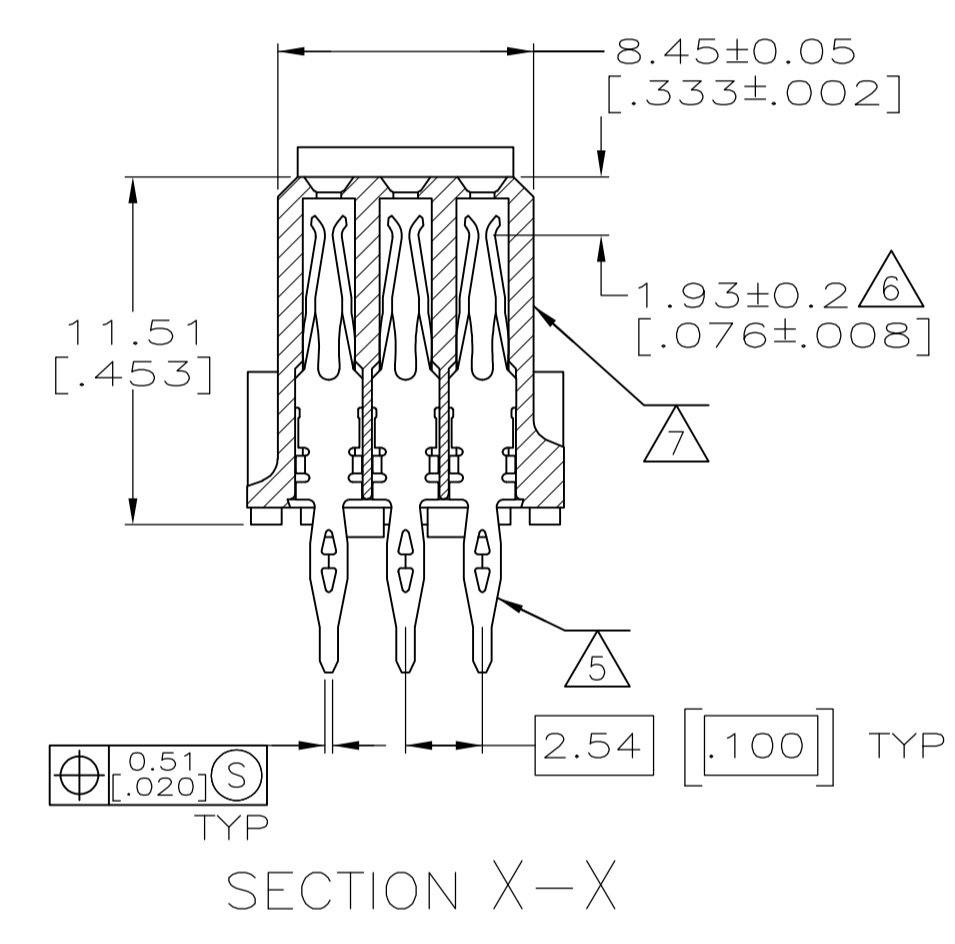
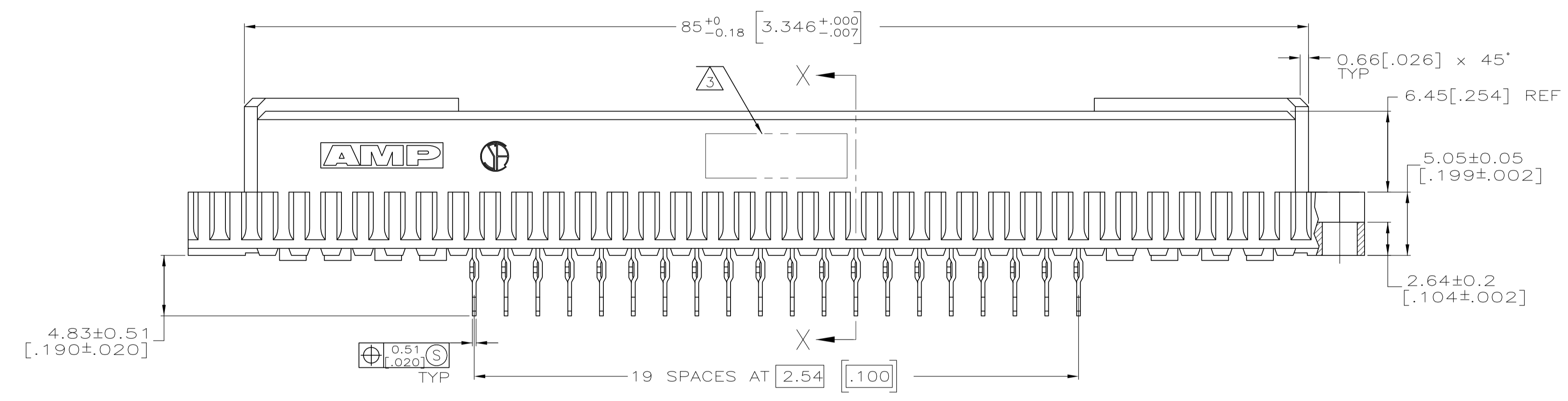
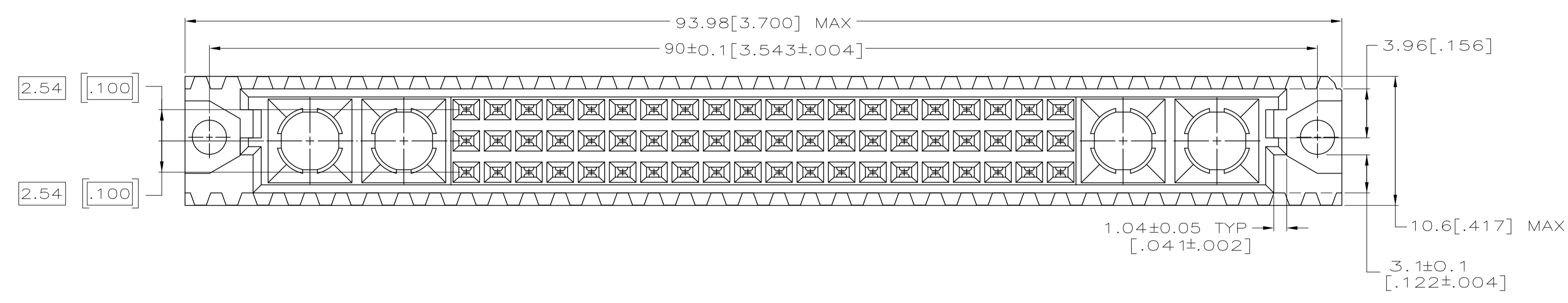


- ① HOUSING MATERIAL: GLASS-FILLED POLYMER.
- ② CONTACT MATERIAL: COPPER ALLOY.
- ③ PART NUMBER, DATE CODE IDENTIFICATION, CSA LOGO IN THIS APPROXIMATE AREA.
- ④ ACTION PIN POSTS REQUIRE 1.57[.062] MINIMUM THICK PC BOARD. RECOMMENDED PC BOARD DRILLED HOLES ARE $\phi 1.15 \pm 0.025$ [0.453 ± 0.010] WITH 0.02-0.08 [0.01-.003] COPPER AND 0.008 [0.0003] MINIMUM TIN-LEAD PLATING. FINISHED HOLES AFTER PLATING $\phi 0.94-1.09$ [0.37-.043].
- ⑤ CONTACT FINISH: DIN 41612 CLASS 2 IN CONTACT AREA. TIN PLATE ON POSTS.
- ⑥ CONTACT POINT.
- ⑦ MARKING ON THIS SIDE.



5148420-5
PART NUMBER

THIS DRAWING IS A CONTROLLED DOCUMENT.		DWN: J. POLIGNONE 14APROS	Tyco Electronics Corporation Harrisburg, PA 17105-3608
DIMENSIONS: mm [INCHES]		CHK: A. SHARPE 14APROS	
TOLERANCES UNLESS OTHERWISE SPECIFIED:		APP'D: A. SHARPE 14APROS	NAME: ASSEMBLY, RECEPTACLE, TYPE M, EUROCARD, 60+4, PRESS-FIT, 4.83[190]
0 PLC ± - 1 PLC ± - 2 PLC ± 0.13[005] 3 PLC ± - 4 PLC ± - ANGLES ± -		PRODUCT SPEC: -	APPLICATION SPEC: -
MATERIAL: ① ②		FINISH: ⑤	SIZE: A1
CUSTOMER DRAWING		SCALE: 4:1	SHEET: 1 of 1

单击下面可查看定价，库存，交付和生命周期等信息

[>>TE Connectivity\(泰科\)](#)