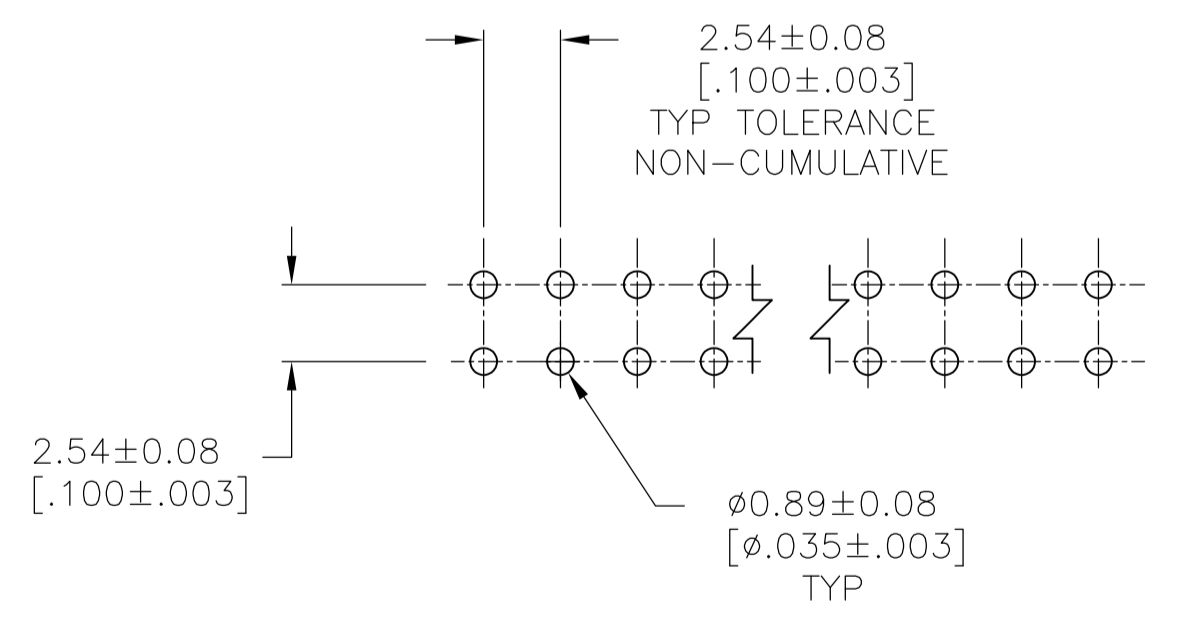
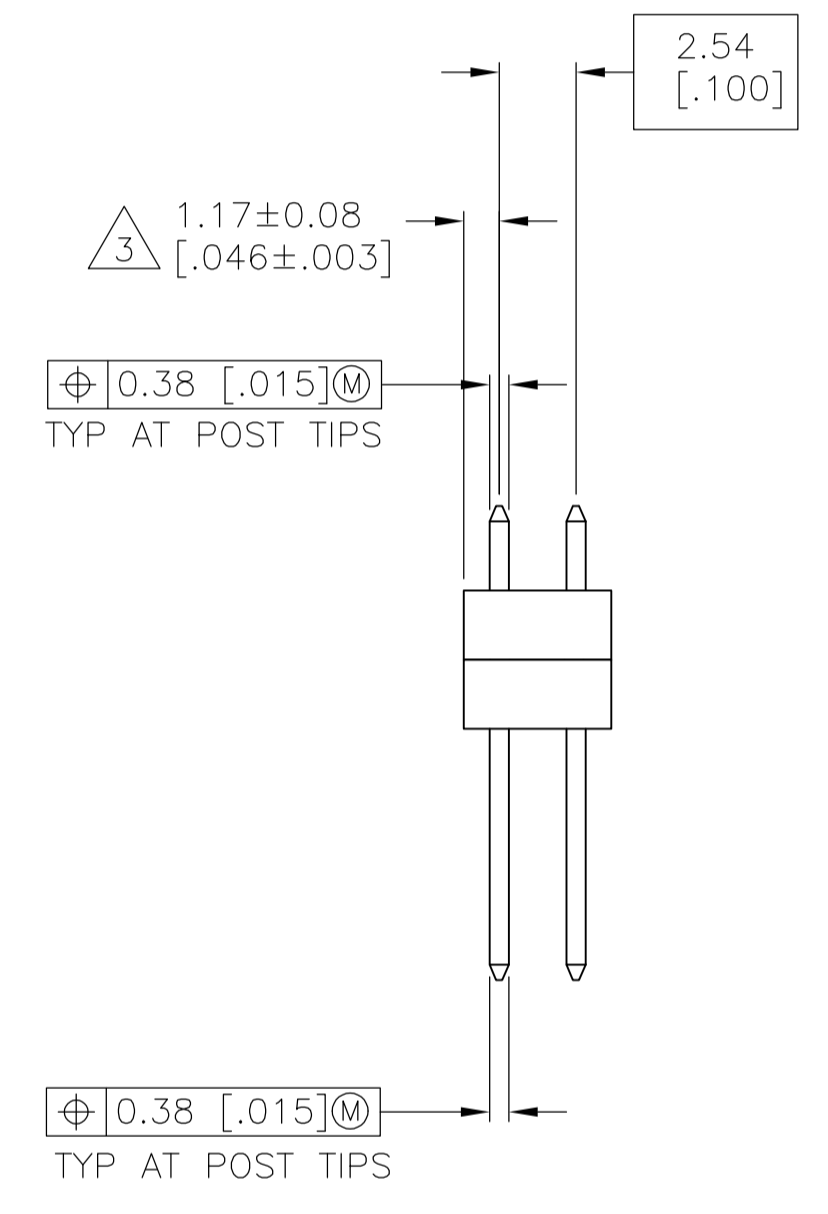
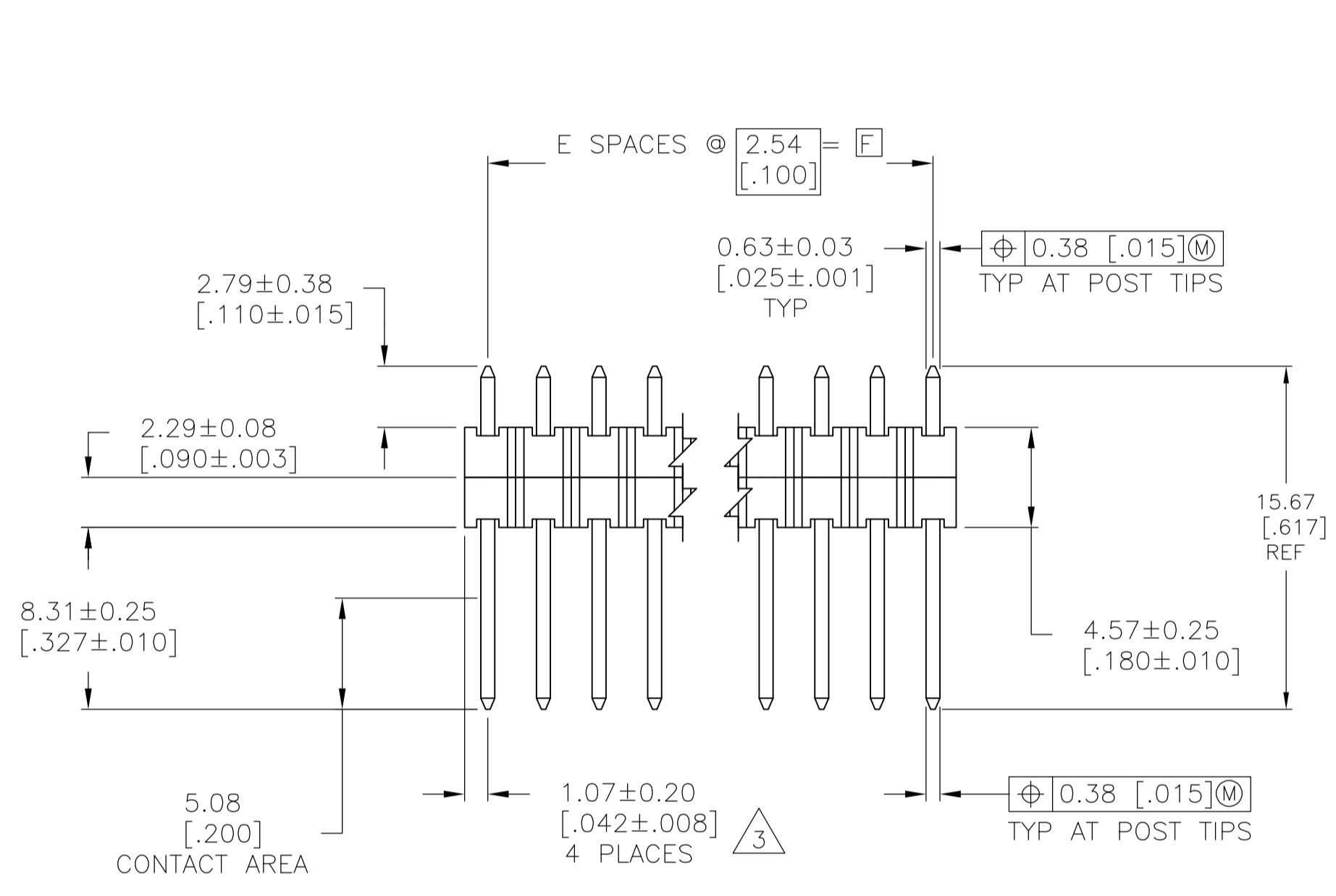
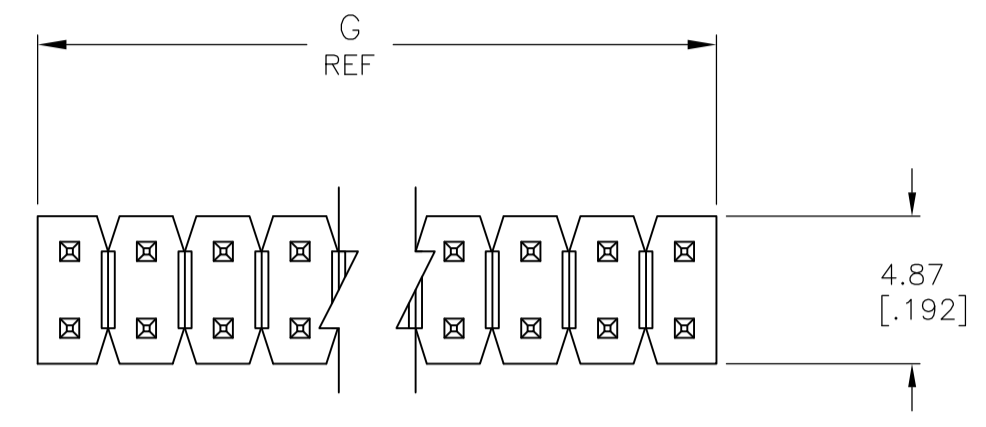


- 1 ASSEMBLY MAY BE BROKEN TO THE DESIRED NUMBER OF POSITIONS
- 2 TRUE POSITION TOLERANCE OF THE POST TIPS APPLIES WHEN THE HEADER IS HELD FLAT AGAINST THE PRINTED CIRCUIT BOARD
- 3 THE NOTED DIMENSIONS APPLY AT THE INTERSECTION OF THE POST AND HOUSING
- 4 HOUSING: FLAME RETARDANT THERMOPLASTIC; COLOR: BLACK, POST: COPPER ALLOY.
- 5 FINISH: .00076 [.000030] GOLD ON CONTACT AREA, 0.00254-0.00508 [.000100-.000200] MATTE TIN-LEAD ON SOLDER TAIL, ALL OVER 0.00127 [.000050] NICKEL ENTIRE POST.



RECOMMENDED HOLE LAYOUT

22.45 [.884]	20.32 [.800]	8	18	147834-2
12.29 [.484]	10.16 [.400]	4	10	147834-1
G	F	E	NO. OF POSITIONS	PART NUMBER

THIS DRAWING IS A CONTROLLED DOCUMENT.		DIN M. BINNER 06APR01		TE Connectivity	
DIMENSIONS: mm		CHK J. GESFORD 02MAY01			
TOLERANCES UNLESS OTHERWISE SPECIFIED:		APVD J. GESFORD 02MAY01		NAME	
0 PLC ± -		PRODUCT SPEC		HEADER ASSEMBLY, MOD II, STACKING, DOUBLE ROW, .025 SQ.POST, UNSHROUDED	
1 PLC ± -		APPLICATION SPEC		SIZE	
2 PLC ± 0.51[.02]		RESTRICTED TO		A1	
3 PLC ± 0.12[.005]		WEIGHT		147834	
4 PLC ± 0.012[.0005]		CUSTOMER DRAWING		SCALE 4:1 SHEET 1 OF 1 REV B	
ANGLES ± -		FINISH			

单击下面可查看定价，库存，交付和生命周期等信息

[>>TE Connectivity\(泰科\)](#)