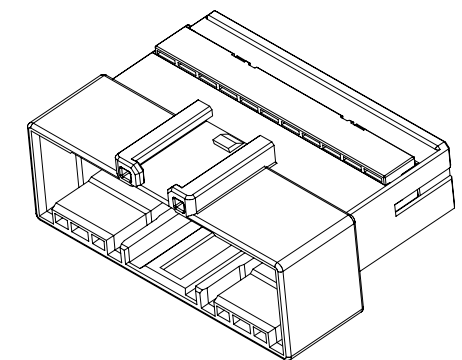
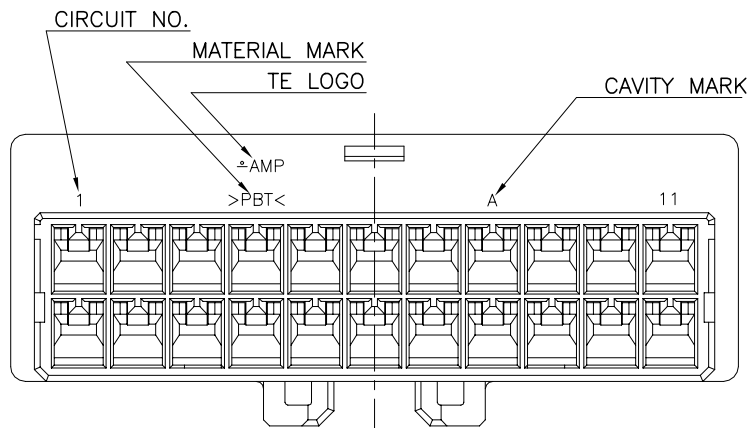
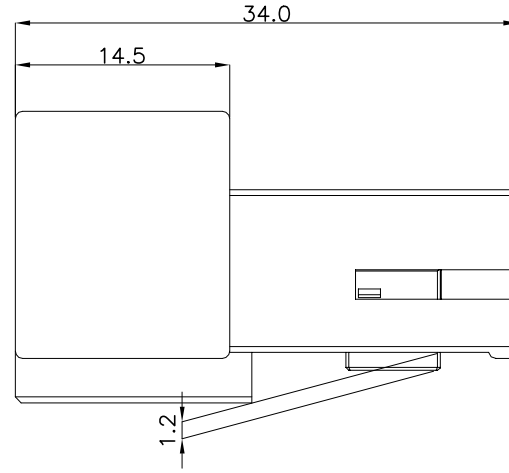
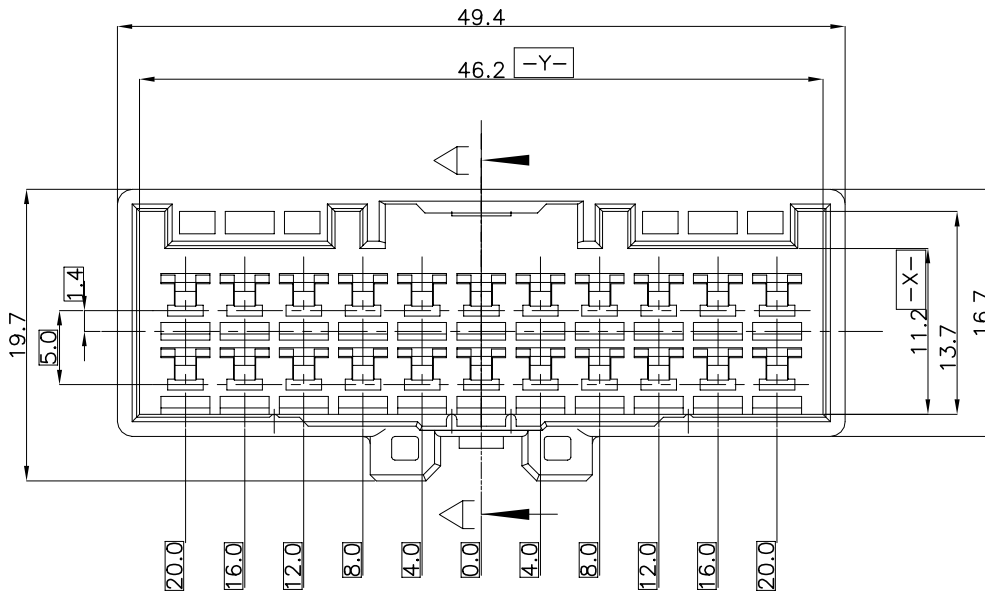


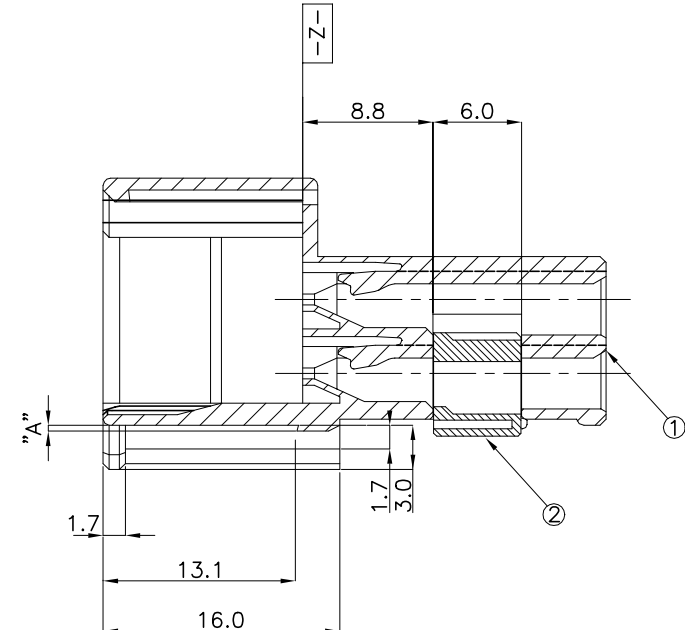
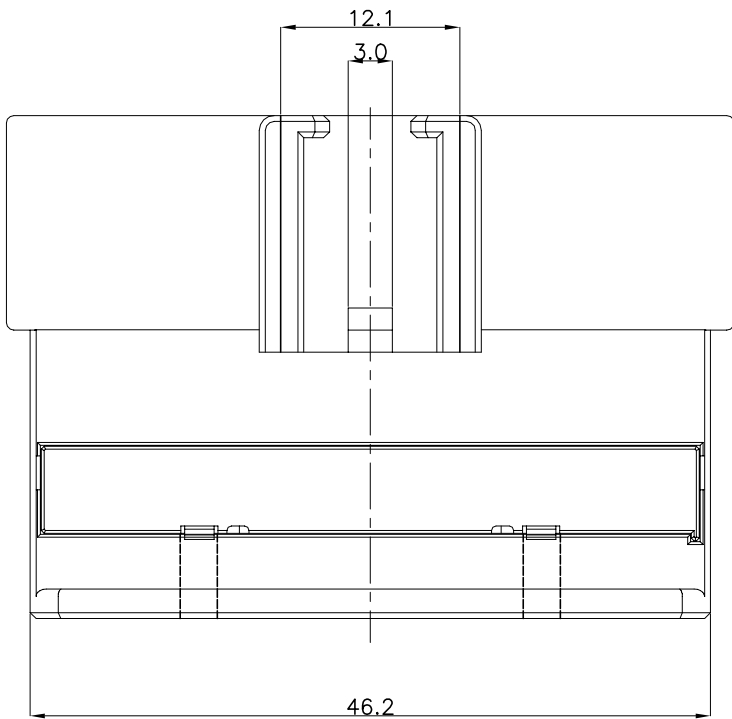
THIS DRAWING IS UNPUBLISHED. RELEASED FOR PUBLICATION  
 © COPYRIGHT BY TYCO ELECTRONICS CORPORATION. ALL RIGHTS RESERVED.

LOC	DIST	REVISIONS					
		P	LTR	DESCRIPTION	DATE	DWN	APVD
DS	-		C1	REVISED (ECR-16-006690)	09.MAY.'16	SJ	JW
			C2	REVISED (ECR-21-001473)	04.FEB.'21	CI	YJ



- NOTES.  
 1. THE MATING HSG. P/N ; 936151  
 2. APPLIED CONTACT P/N ; 090 II TAB.- 368086,368087,368088,1897752

- 추가 -  
 1. 상대 하우징 P/N. ; 936151  
 2. 적용단자 P/N. ; 090 II TAB.- 368086,368087,368088,1897752



SECTION A-A

NO	COLOR	MATERIAL	DESCRIPTION	P/N	QTY
1	D/GRAY	PBT	CAP	1-936155-3	1
	BLUE	PBT	CAP	0-936155-8	1
	GREEN	PBT	CAP	1-936155-7	1
	RED	PBT	CAP	0-936155-6	1
	YELLOW	PBT	CAP	0-936155-5	1
	BROWN	PBT	CAP	0-936155-4	1
	L/GRAY	PBT	CAP	0-936155-3	1
	BLACK	PBT	CAP	0-936155-2	1
2	NATURAL	PBT	DBL	0-936153-1	1 1 1 1 1 1 1 1 1 1
	NATURAL	PBT	DBL	0-936153-1	1 1 1 1 1 1 1 1 1 1

NO.	TYPE	DIMENSION
1	TYPE A	0.4
2	TYPE B	0.7

DIMENSIONS: MM		TOLERANCES UNLESS OTHERWISE SPECIFIED:	
		0 <XX<10 ± 0.2 10<XX<30 ± 0.25 30<XX ± 0.3 ANGLES ± 3°	
MATERIAL		FINISH	
SEE TABLE			

THIS DRAWING IS A CONTROLLED DOCUMENT FOR TYCO ELECTRONICS CORPORATION IT IS SUBJECT TO CHANGE AND THE CONTROLLING ENGINEERING ORGANIZATION SHOULD BE CONTACTED FOR THE LATEST REVISION.

DWN SJ CHOI  
 CHK JW JUNG  
 APVD HG CHO  
 PRODUCT SPEC -  
 APPLICATION SPEC -  
 WEIGHT -

**STE** TE Connectivity

NAME: 090III 22P CAP ASS'Y

SIZE: A3 CAGE CODE: 00779 DRAWING NO: 936154 RESTRICTED TO: -

CUSTOMER DRAWING SCALE: 2/1 SHEET: 1 OF 1 REV: C2

单击下面可查看定价，库存，交付和生命周期等信息

[>>TE Connectivity\(泰科\)](#)