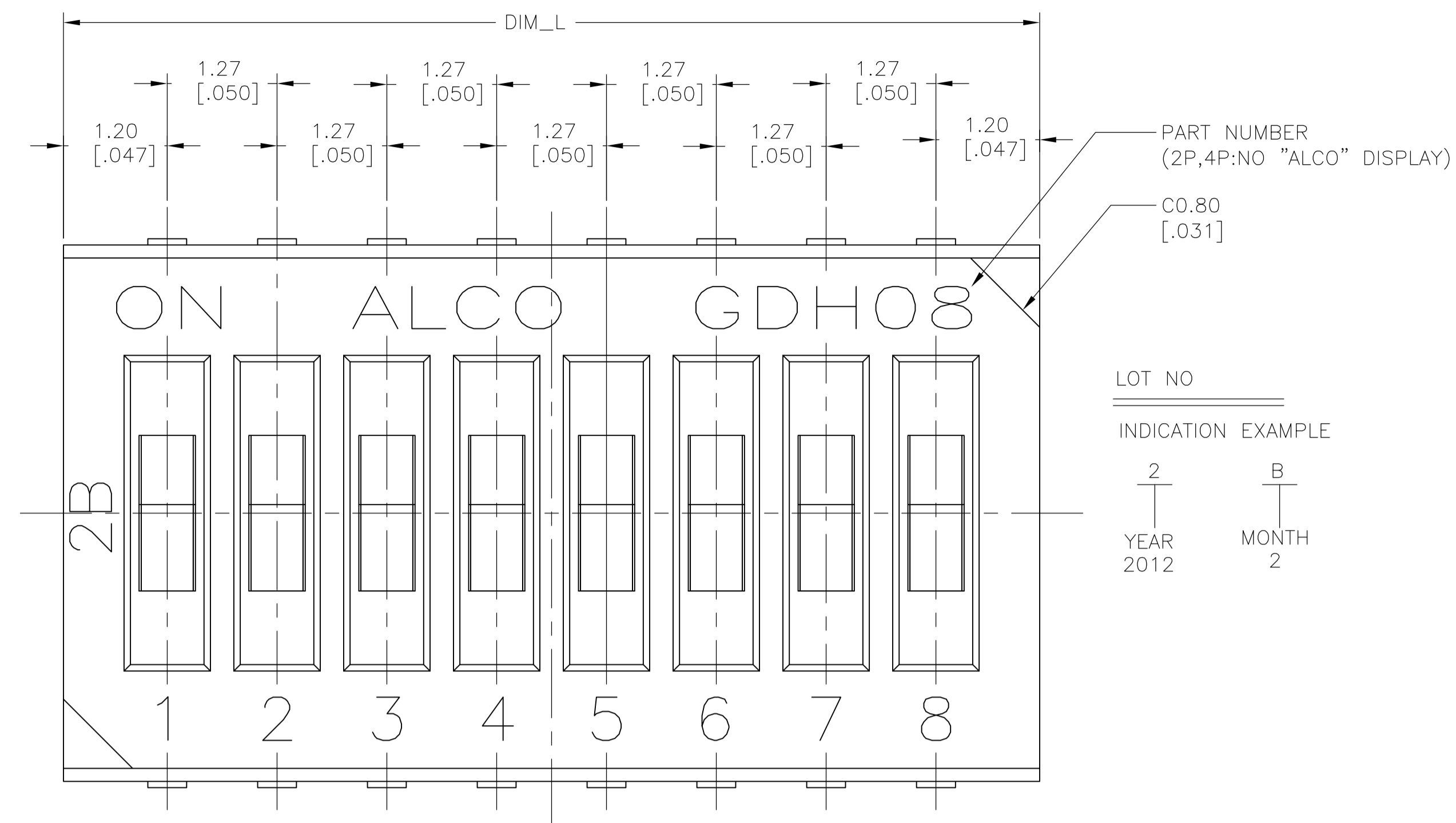


| REVISED PER |      | ECO-12-011893 | DATE | 27JUN12 | BY | APPROVED |
|-------------|------|---------------|------|---------|----|----------|
| LOC         | DIST |               |      |         |    |          |
| P           | LTR  |               |      |         |    |          |
| B           |      |               |      |         |    |          |



PART NUMBER  
(2P,4P:NO "ALCO" DISPLAY)

00.80  
[.031]

LOT NO \_\_\_\_\_

INDICATION EXAMPLE

2 B

YEAR MONTH

2012 2

**SPECIFICATIONS:**

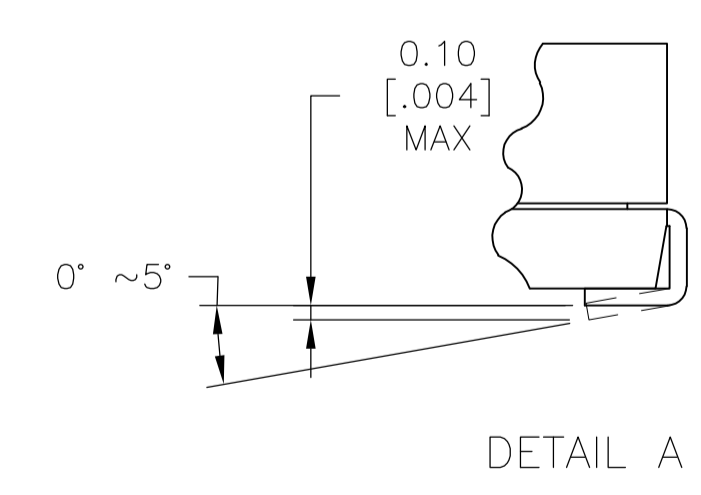
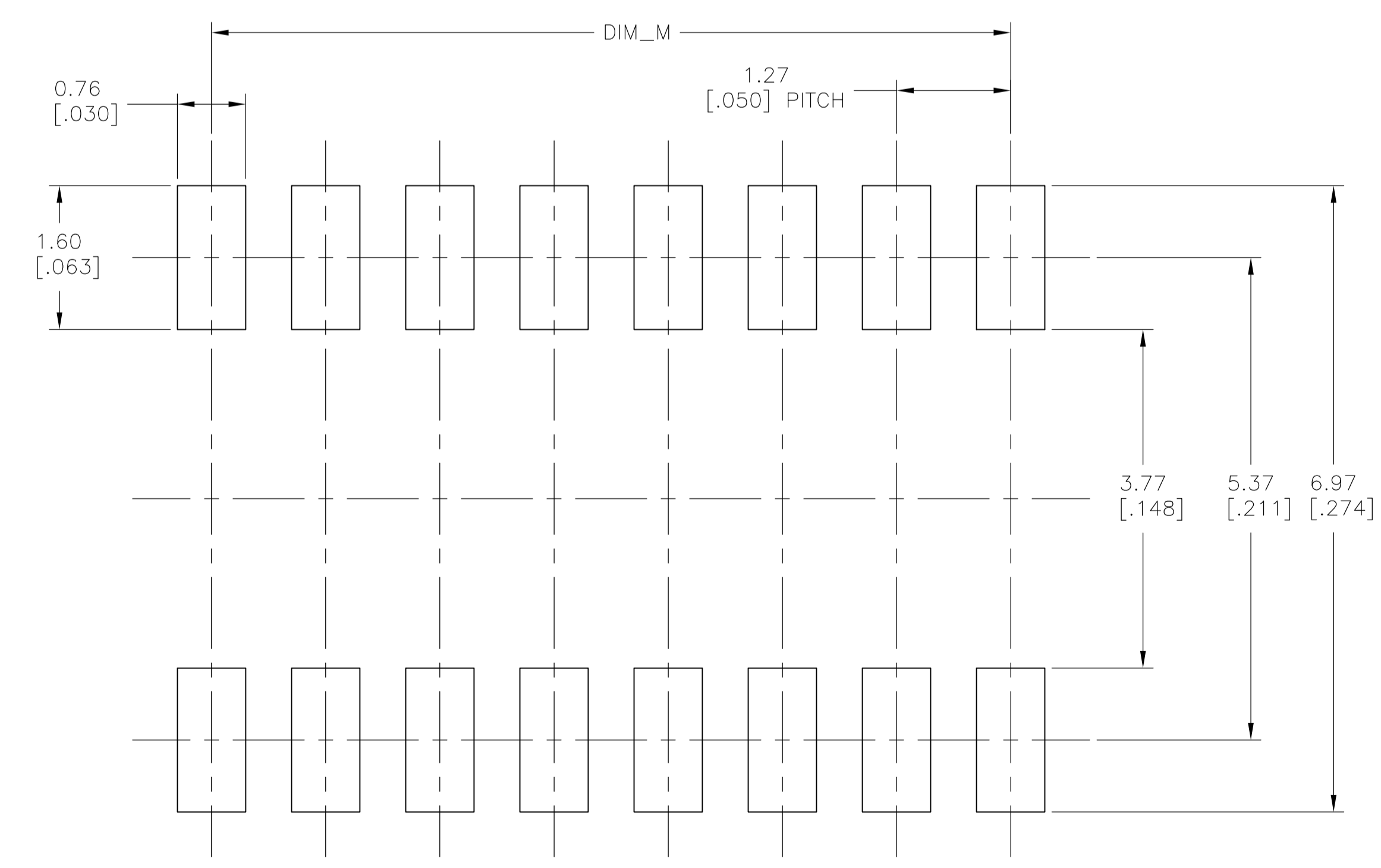
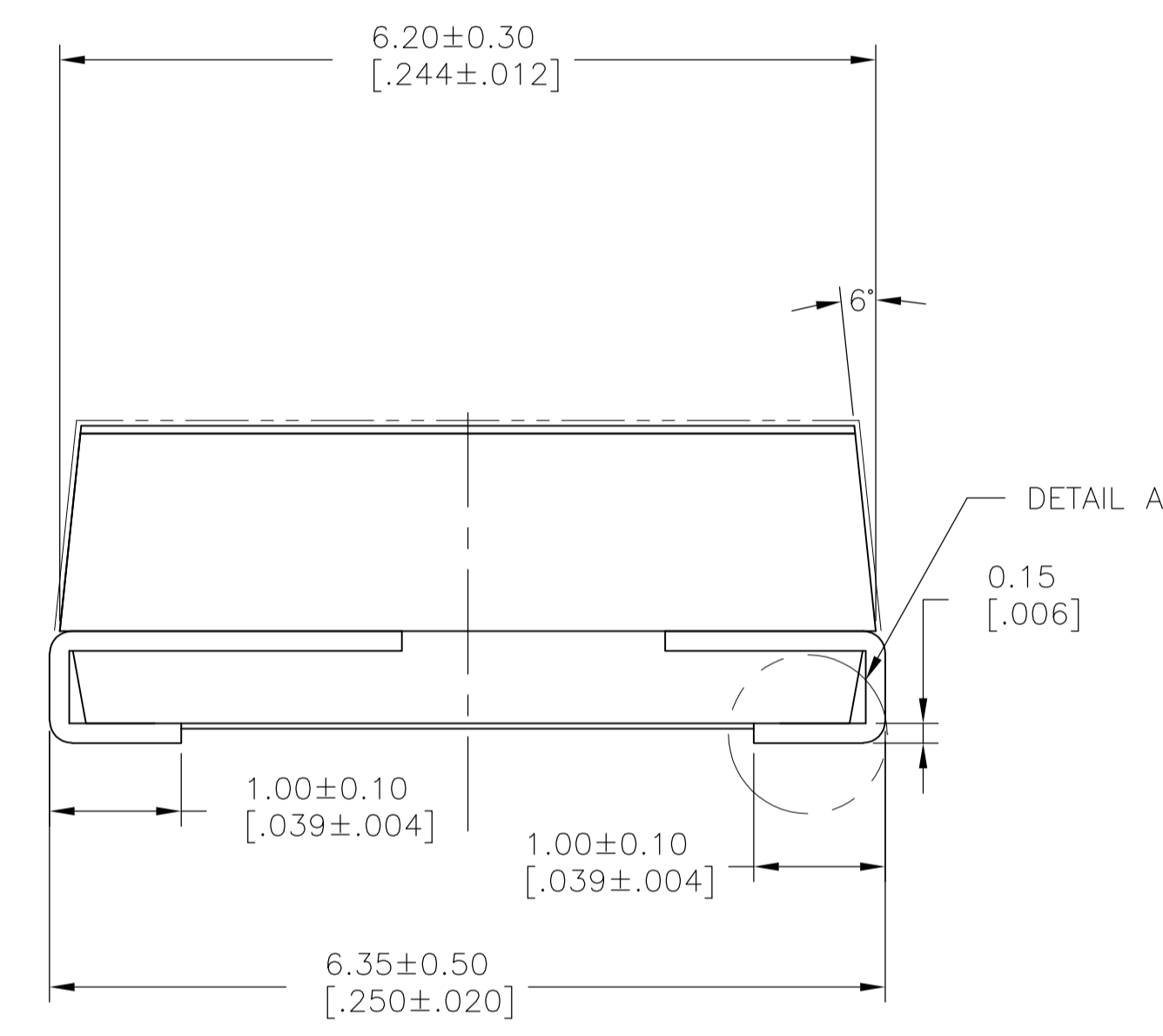
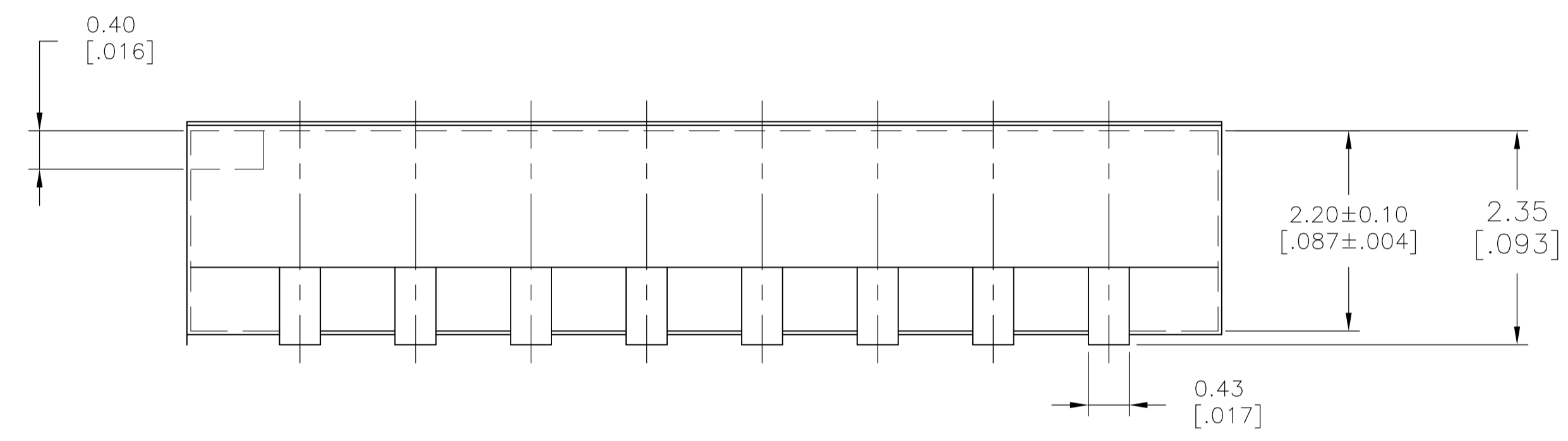
**MATERIALS:**  
CASE-PPS UL94V-0, BLACK  
COVER-PPS UL94V-0, BLACK  
ACTUATOR-LCP UL94V-0, WHITE  
FIXED CONTACT-COPPER ALLOY, GOLD OVER NICKEL PLATE  
MOVING CONTACT-COPPER ALLOY, GOLD OVER NICKEL PLATE  
TERMINAL-COPPER ALLOY, GOLD OVER NICKEL PLATE  
TAPE SEAL-POLYIMIDE FILM

**ELECTRICAL:**  
CONTACT RATING: NON-SWITCHING: 100 MILLIAMPS @50VDC  
SWITCHING: 25 MILLIAMPS @24 VDC  
INITIAL CONTACT RESISTANCE: 100 MILLIOHMS MAX. @2VDC, 10mA.  
CONTACT RESISTANCE(AFTER TESTS): 300MILLIOHMS MAX.@2VDC.10mA,  
INSULATION RESISTANCE: 100 MEGOHMS MIN @100VDC  
DIELECTRIC STRENGTH: 300 VAC, 1MINUTE.  
LIFE EXPECTANCY: 1000 CYCLES MIN.

**MECHANICAL:**  
ACTUATION FORCE: 4.94(490gf) MAX.

**ENVIRONMENTAL:**  
OPERATING TEMPERATURE: -30°C TO +85°  
STORAGE TEMPERATURE: -45°C TO +100°C  
SOLDER HEAT RESISTANCE PER 109-201, CONDITION B SWITCH IN OFF POSITION  
SOLDER ABILITY PER JIS C 0050 & JIS C 0053.

- NOTES:**
- SUPPLIED WITH TAPE SEAL STANDARD
  - SWITCH IS TO HAVE OVERALL HEIGHT AS SHOWN
  - ALL MATERIALS AND FINISHES SHALL COMPLY WITH EU DIRECTIVE 2002/95/EC OF 27JAN2003 (ROHS)
  - SUPPLIED PACKAGED IN A TUBE.



MOUNTING PAD DIMENSIONS(5/1)

|     |             |                      |                 |           |
|-----|-------------|----------------------|-----------------|-----------|
| 10  | 11.43[.450] | 13.83[.544]          | GDH10SA04       | 1977830-5 |
| 8   | 8.89[.350]  | 11.29[.444]          | GDH08SA04       | 1977830-4 |
| 6   | 6.35[.250]  | 8.75[.344]           | GDH06SA04       | 1977830-3 |
| 4   | 3.81[.150]  | 6.21[.244]           | GDH04SA04       | 1977830-2 |
| 2   | 1.27[.05]   | 3.67[.144]           | GDH02SA04       | 1977830-1 |
| POS | DIM M       | DIM L<br>±0.50[.020] | ALCO DISCRPTION | TE P/N    |

THIS DRAWING IS A CONTROLLED DOCUMENT.

DIMENSIONS: mm [INCHES]

TOLERANCES UNLESS OTHERWISE SPECIFIED:

|        |   |            |
|--------|---|------------|
| 0 PLC  | ± | -          |
| 1 PLC  | ± | -          |
| 2 PLC  | ± | -          |
| 3 PLC  | ± | 0.40[.016] |
| 4 PLC  | ± | -          |
| ANGLES | ± | -          |

MATERIAL: - FINISH: -

WEIGHT: -

CUSTOMER DRAWING

DIN: KIRAN HOLAL 30MAR2012  
CHK: OTT.PETER 30MAR2012  
APVD: OTT.PETER 30MAR2012

NAME: SERIES GDH  
GDH02SA04~GDH10SA04

SIZE: A1  
CAGE CODE: 00779  
DRAWING NO: 1977830

RESTRICTED TO: -

SCALE: 20:1 SHEET 1 OF 1 REV B

单击下面可查看定价，库存，交付和生命周期等信息

[>>TE Connectivity\(泰科\)](#)