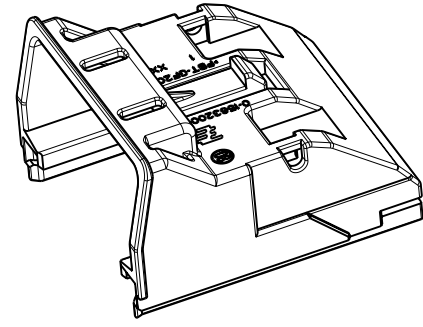
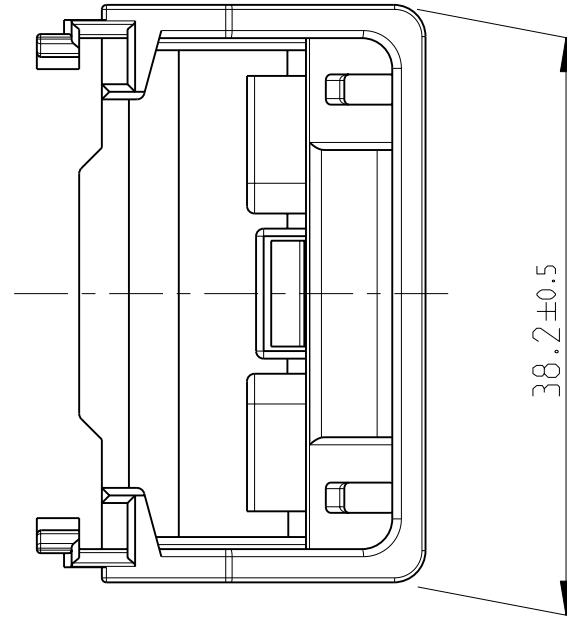
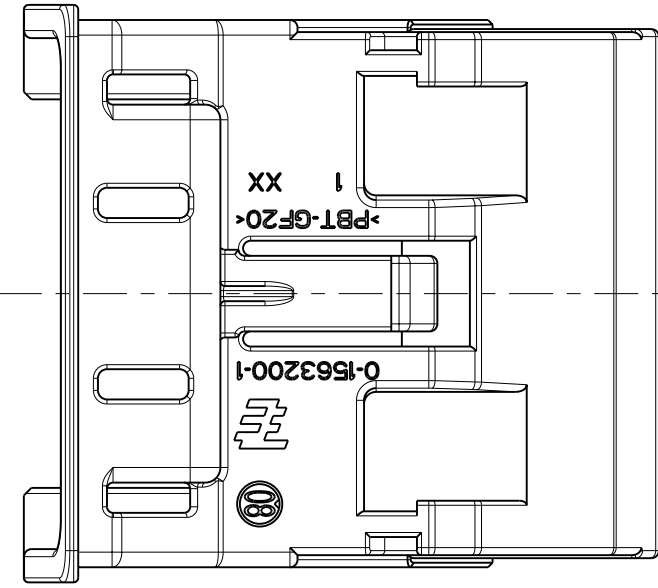
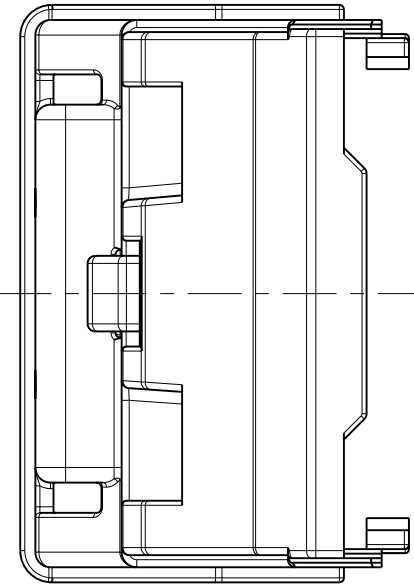
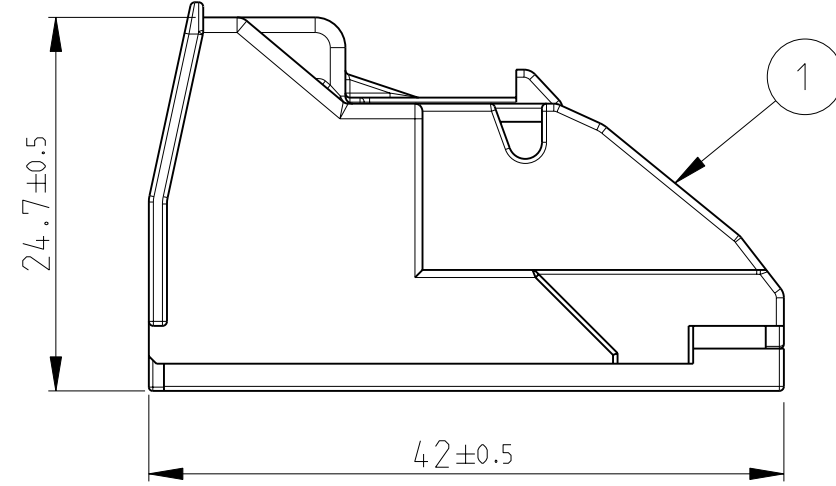


LOC	DIST	REVISIONS					
		P	LTR	DESCRIPTION	DATE	DWN	APVD
A1	-	A2		E-08-005854	05MAR2008	MK	GM
		A3		ECR-08-021214	22AUG2008	GP	GM

0-1563200-1

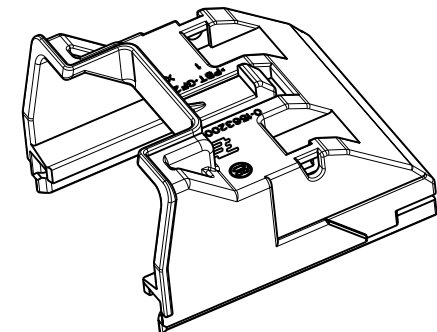


1:1

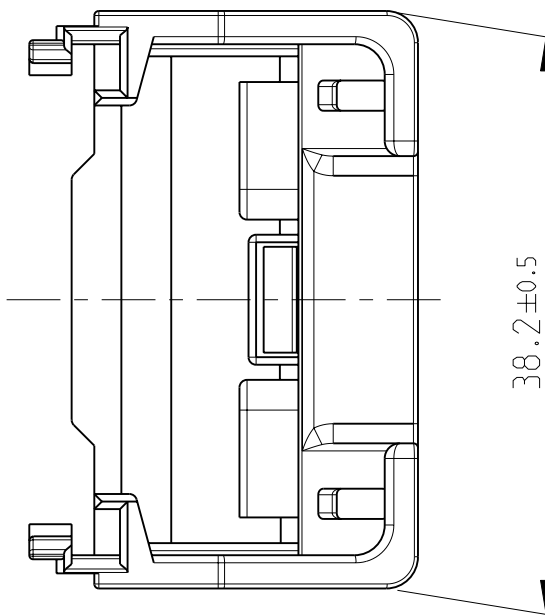
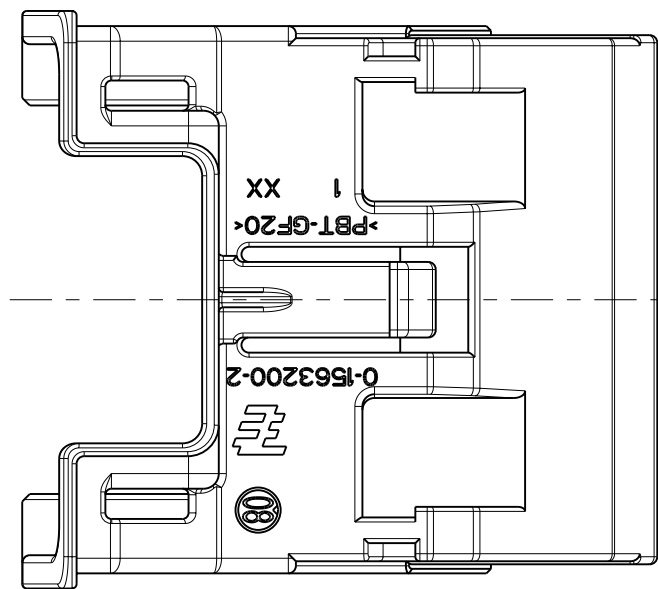
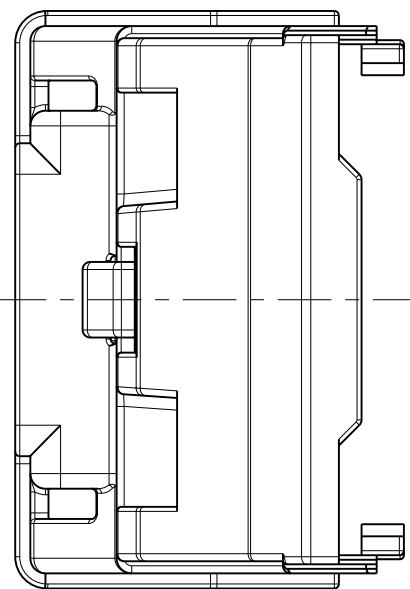
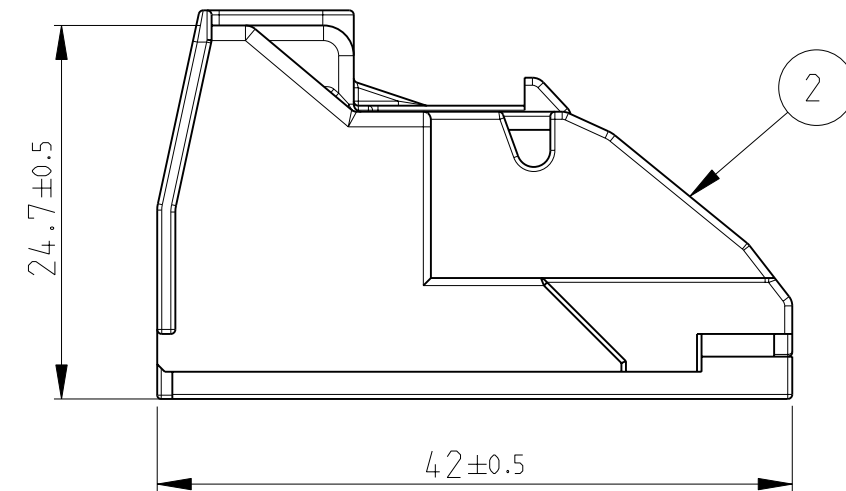


NOTES:
 Bemerkungen:
 1 PACKAGING: LOOSE PIECE IN CARDBOARD BOX
 Verpackung: Teile lose beige stellt in Karton
 2 MATED WITH:
 Passend zu:
 53 WAY PCM MIXED REC. HSG.
 1563193, 1563194
 1563898, 1563900
 1563901, 1564294

0-1563200-2



1:1



PART NO	REVISION	MATERIAL	DESCRIPTION	COLOUR	ITEM NO
0-1563200-2	A	PBT-GF20	COVER 50° FOR 53 WAY CON.	BLACK	2
0-1563200-1	A	PBT-GF20	COVER FOR 53 WAY CON.	BLACK	1

THIS DRAWING IS A CONTROLLED DOCUMENT FOR TYCO ELECTRONICS CORPORATION
 IT IS SUBJECT TO CHANGE AND THE CONTROLLING ENGINEERING ORGANIZATION
 SHOULD BE CONTACTED FOR THE LATEST REVISION.

DWN	M. Kressmann	03 JUL 2007
CHK	K. Roth	04 JUL 2007
APVD	G. Mumper	22 AUG 2008

tyco Electronics AMP GmbH
 64625 Bensheim (Germany)

NAME: COVER FOR 53 WAY MIXED CONNECTOR COVER

SIZE	A2	CAGE CODE	00779	DRAWING NO	1563200	RESTRICTED TO	-
SCALE	2:1	SHEET	1	OF	1	REV	A3

CUSTOMER DRAWING

单击下面可查看定价，库存，交付和生命周期等信息

[>>TE Connectivity\(泰科\)](#)