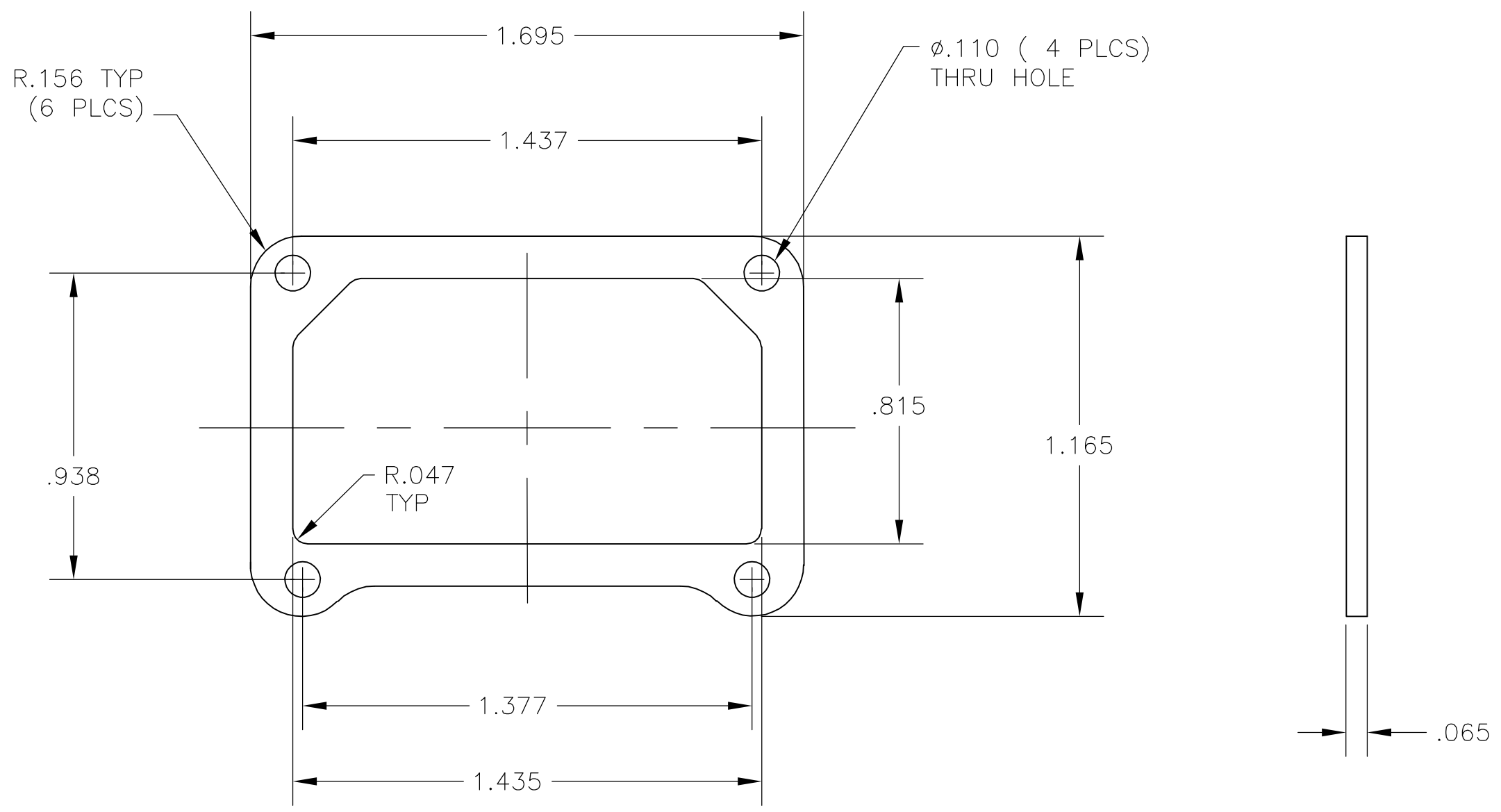


THIS DRAWING IS UNPUBLISHED. RELEASED FOR PUBLICATION
 © COPYRIGHT - BY TYCO ELECTRONICS CORPORATION. ALL RIGHTS RESERVED.

LOC	DIST	REVISIONS			
P	LTR	DESCRIPTION	DATE	DWN	APVD
DF	X5	B	REV PER EC 0H14-0216-05	02FEB06	BL CT



1 ELECTROLESS NICKEL DOES NOT CONTAIN INTENTIONAL ADDITIONS OF LEAD AND CADMIUM PER DFE STANDARD 230-700.

1	ELECTROLESS NICKEL	5-204861-3
	ELECTROLESS NICKEL	204861-5
	ELECTROLESS NICKEL	204861-3
	BLUE ANODIZED	204861-2
	PLATING	PART NUMBER

THIS DRAWING IS A CONTROLLED DOCUMENT.		DWN B. LATTUCA	02FEB2006	Tyco Electronics Corporation Harrisburg, PA 17105-3608	
DIMENSIONS: INCHES		CHK J. MARKEY	02FEB2006		
		APVD J. MARKEY	02FEB2006	NAME PLATE, RETAINER	
TOLERANCES UNLESS OTHERWISE SPECIFIED:		PRODUCT SPEC		RESTRICTED TO	
0 PLC ± - 1 PLC ± - 2 PLC ± - 3 PLC ± .005 4 PLC ± - ANGLES ± -		APPLICATION SPEC		SIZE A3	CAGE CODE 00779
MATERIAL ALUMINUM ALLOY		FINISH BLUE ANODIZED		DRAWING NO C=204861	SCALE NTS
CUSTOMER DRAWING				SHEET 1 OF 1	REV B

单击下面可查看定价，库存，交付和生命周期等信息

[>>TE Connectivity\(泰科\)](#)