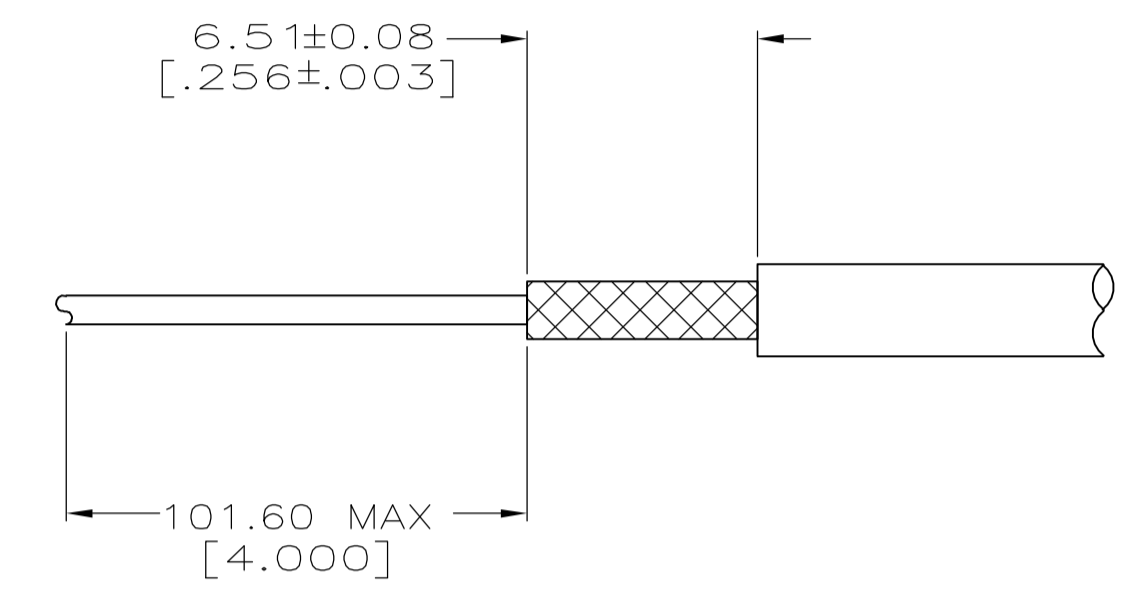
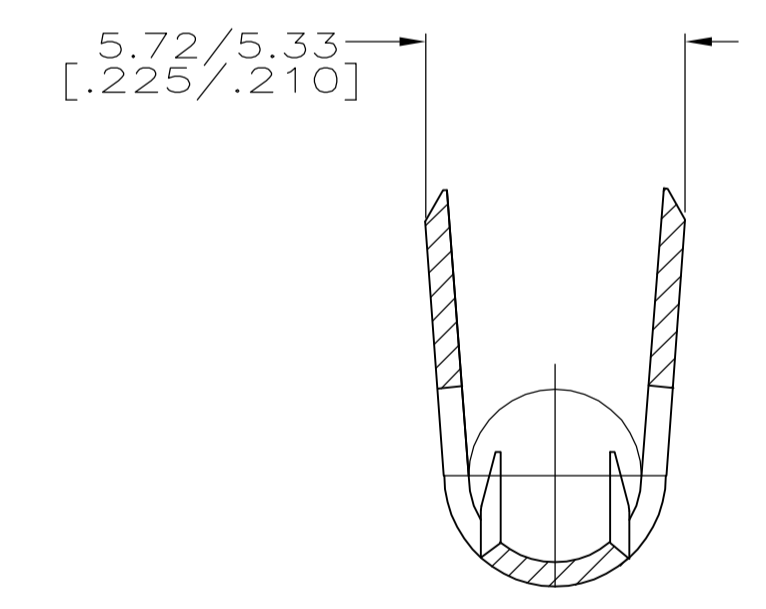


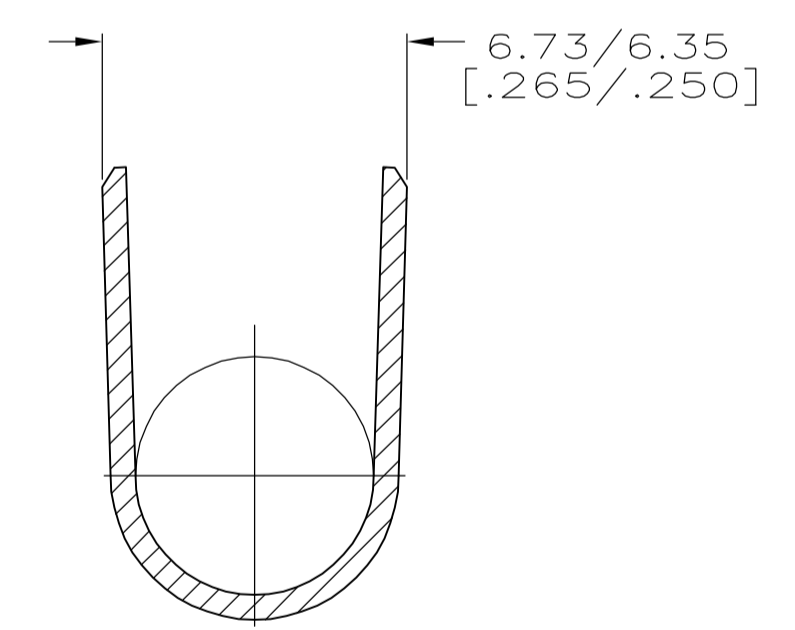
- 1 STAMPED AMP RG-58, 0.79[.031] HIGH CHARACTERS
- 2 WITH OR WITHOUT PICKS
- 3 USE HAND TOOL NO. 220190-1 AND DIESET NO. 220195-1.
- 4 TIN-LEAD PLATE PER ASTM B-545
- 5 TIN PLATE PER ASTM B-545



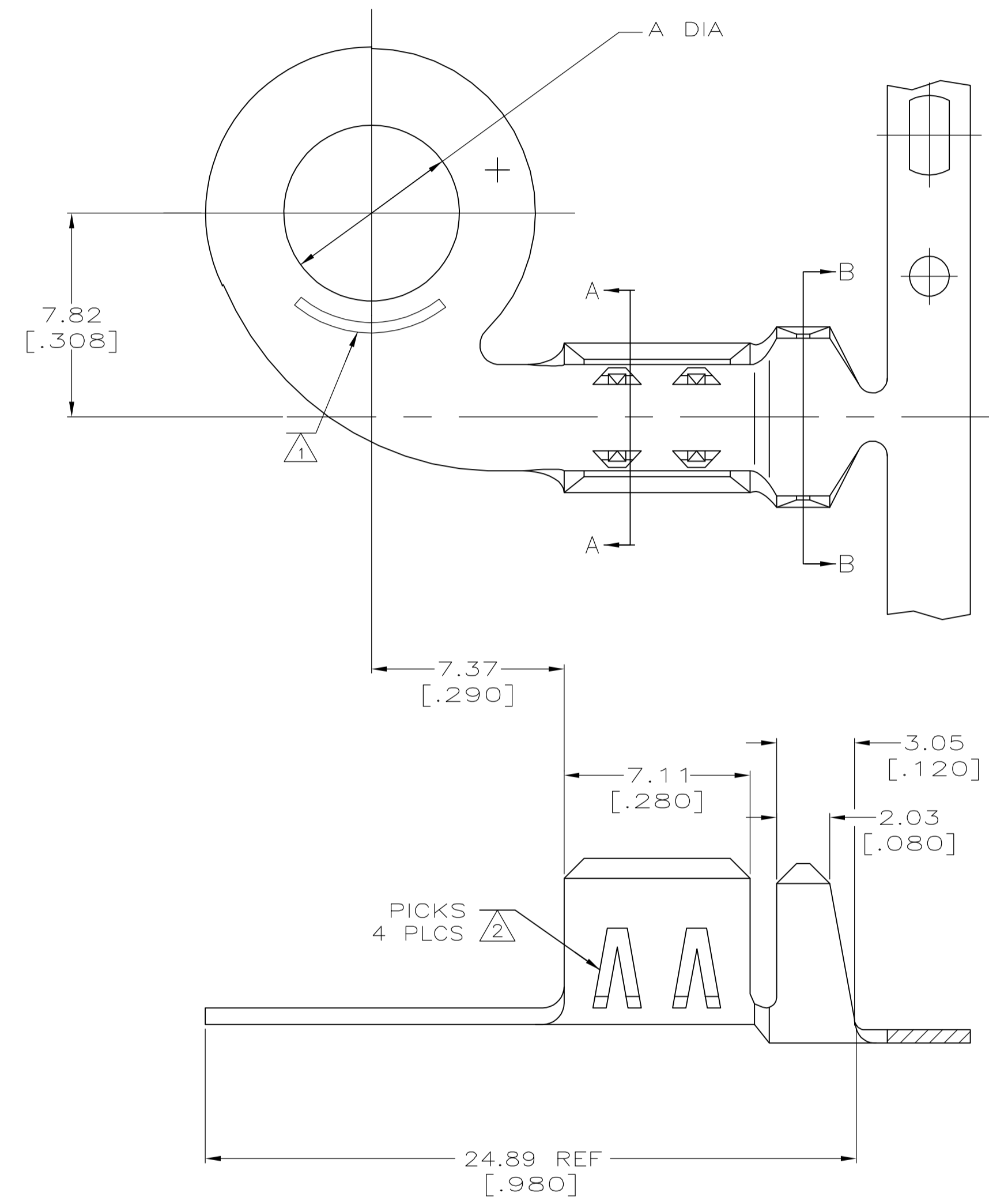
RECOMMENDED STRIP LENGTH



SECTION A-A
ROTATED 90° CW



SECTION B-B
ROTATED 90° CCW



	5	WITH PICKS	4.34[.171]	9-226619-1
	5	WITH PICKS	6.35[.250]	9-226619-0
OBSOLETE	4	WITHOUT PICKS	4.34[.171]	2-226619-1
OBSOLETE	4	WITHOUT PICKS	6.35[.250]	2-226619-0
OBSOLETE	4	WITH PICKS	4.34[.171]	226619-3
OBSOLETE	4	WITH PICKS	6.35[.250]	226619-1
	FINISH	2	A DIM	PART NUMBER

THIS DRAWING IS A CONTROLLED DOCUMENT.

DIMENSIONS: INCHES	TOLERANCES UNLESS OTHERWISE SPECIFIED:	0 PLC ± -	1 PLC ± -	2 PLC ± 0.20[.008]	3 PLC ± -	4 PLC ± -	ANGLES ± -	FINISH
MATERIAL: BRASS, 0.51[.020] THK		DIN: J.DAVIS 29/APR/93		G.MICHAEL 29/APR/93		Tyco Electronics Corporation, Harrisburg, Pa 17105-3608		
PRODUCT SPEC		NAME		COAXIAL GROUND FLAG TERMINAL			RESTRICTED TO	
APPLICATION SPEC		SIZE: A1		CAGE CODE: 00779		DRAWING NO: 226619		REV: J1
CUSTOMER DRAWING		SCALE: 1:1		SHEET: 1 OF 1		REV: J1		

单击下面可查看定价，库存，交付和生命周期等信息

[>>TE Connectivity\(泰科\)](#)