

SYN	DESCRIPTION	DATE	APPROVED
G	35448 NOTE 6 ADDED	98/05/04	RS
H	39042 ITEM 6 AND 7 ADDED	99/03/29	RS
J	14-016299 REMOVED ITEM 6 (1) 35529-024 OVER LAY/REMOVED ITEM 7 (2) 35529-001 OVER LAY/ADDED MAX TH. .280	14/10/28	MDM

FAA/PMA

3 PDI
RESISTIVE INDUCTIVE MOTOR LAMP
20 15 5 4

10A IND. MIL-R-6106 .7 P.F. LAGGING, 10,000 OPERATIONS MINIMUM
50,000 OPERATIONS, MINIMUM AT RATED
RESISTIVE LOAD
3 MILLISECONDS MAXIMUM-
CONTINUOUS

ELECTRICAL
CONTACT FORM
CONTACT RATING (AMPS/POLE
AT 115 VAC AND 28 VDC)

LOAD TRANSFER
CONTACT LIFE
CONTACT BOUNCE
DUTY CYCLE
NOM. OPERATING VOLTAGE
MAX. OPERATING VOLTAGE
OPERATING FREQUENCY
PICK-UP VOLTAGE
PICK-UP TIME
DROP-OUT VOLTAGE
DROP-OUT TIME DELAY

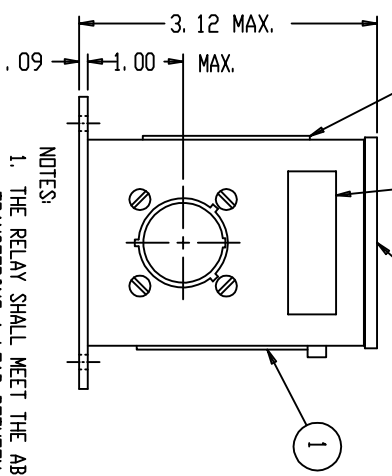
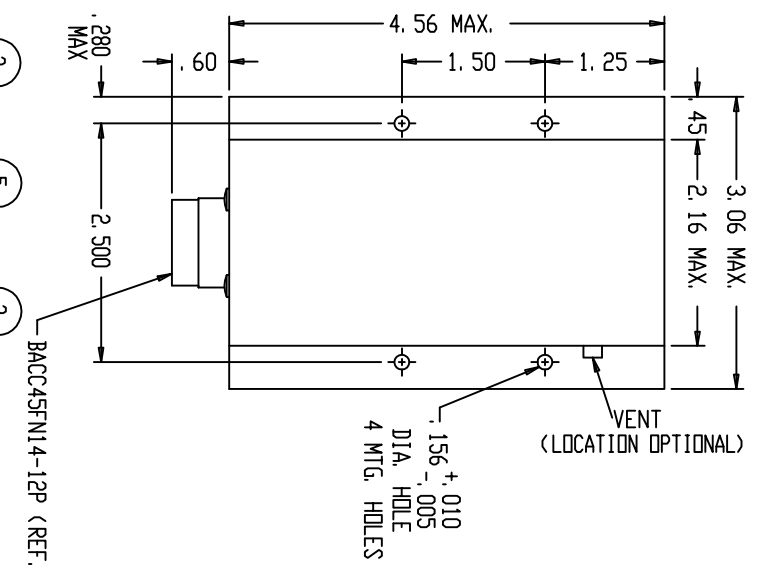
115 VAC, RMS L-N
122 VAC, RMS L-N
400 ± 20 HZ
109 ± 2 VRMS
75 MILLISECONDS MAXIMUM
104 ± 2 VRMS
WHEN THE RELAY IS IN THE ENERGIZED POSITION
AND THE VOLTAGE DROPS BELOW 104 ± 2 VRMS AND
ABOVE 88 ± 4 VRMS THE RELAY SHALL REMAIN
ENERGIZED FOR 200-400 MSEC. WHEN THE
VOLTAGE DROPS BELOW 88 ± 4 VRMS AND ABOVE
8 ± 1 VRMS THE RELAY SHALL REMAIN ENERGIZED
FOR 50-400 MSEC. BELOW 8 ± 1 VRMS THE RELAY
SHALL DEENERGIZE IN 400 MSEC. MAXIMUM.

PER MIL-STD-704A
200 MAX. MILLIAMPS AT 25° C
1000 VRMS, 60 HZ. 1 MIL/AMP MAX. LEAKAGE

1000 MEGOHMS, MINIMUM AT 500 VDC AT 20° C AND 50% RH (MAX.)

-55° C TO +85° C (OPERATING)
-55° C TO +125° C (NON-OPERATING)
.060 DIA 5 TO 80 HZ, 20 G'S 80 TO
2000 HZ,
30 G'S, 11 MILLISECOND, 1/2 SINE,
3 AXES
20 G'S IN ANY AXIS-
0 TO 50,000 FEET

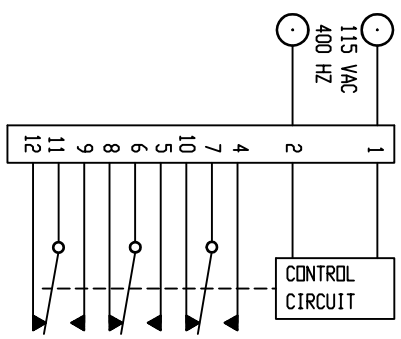
18 DZ.
GASKET SEALED (VENTED)
HERMATIC SEALED CONTACTS
ALUMINUM COVER AND MOUNTING FLANGES
BLACK LACQUER PAINT GLASS MAT
POLYESTER TOP



ACCELERATION
ALTITUDE
MECHANICAL
WEIGHT
CONSTRUCTION

NOTES:

1. THE RELAY SHALL MEET THE ABOVE REQUIREMENTS WHEN TRANSFERRING A LOAD BETWEEN UNSYNCHRONIZED AC POWER SOURCES.
2. DUE TO CONNECTOR PIN GAGE RATING (#16), THE MAXIMUM CONTINUOUS CURRENT RATING IS 20 AMPERE. PINS 4, 7, AND 10.
3. DUE TO CONNECTOR PIN GAGE RATING (#20), THE MAXIMUM CONTINUOUS CURRENT RATING IS 10 AMPERE. PINS 5, 6, 8, 9, 11, AND 12.
5. CONTACT VOLTAGE DROP 250 MW. MAX.
6. FAA/PMA PLATE (AND OVERLAY) NOT REQUIRED ON UNITS SUPPLIED TO ORIGINAL EQUIPMENT MANUFACTURERS.



REV	QTY	IDENTIFYING NO	PART OR IDENTIFYING NO	NOMENCLATURE OR DESCRIPTION	FSCH NO	DRAWING OR SPECIFICATION	MATERIAL DR NOTE
7							
6	1		58400-048	PLATE - FAA/PMA			
5	1		38977-010	RELAY ASSEMBLY - PRIMARY			
4	1		36278-001	PLATE - WIRING DIAGRAM			
3	1		16043-054	PLATE - NAME (LOCATION OPTIONAL)			
2	1						
1	1						

UNLESS OTHERWISE SPECIFIED DIMENSIONS ARE IN INCHES TOLERANCES IN

± .06 ± .010 ± 1°

DR BY MESS 99/04/12
CHK BY RS 99/04/22
ENGR EAD 99/04/22
MFG CC 99/04/22

RELEASE
CONTR. NDL.
GOVT. APPL.



RELAY-VOLTAGE SENSING

SIZE CODE IDENT DWG NO.
C 74063 E-308AH

SCALE SHEET REF. TE P/N: 1616126-4

单击下面可查看定价，库存，交付和生命周期等信息

[>>TE Connectivity\(泰科\)](#)