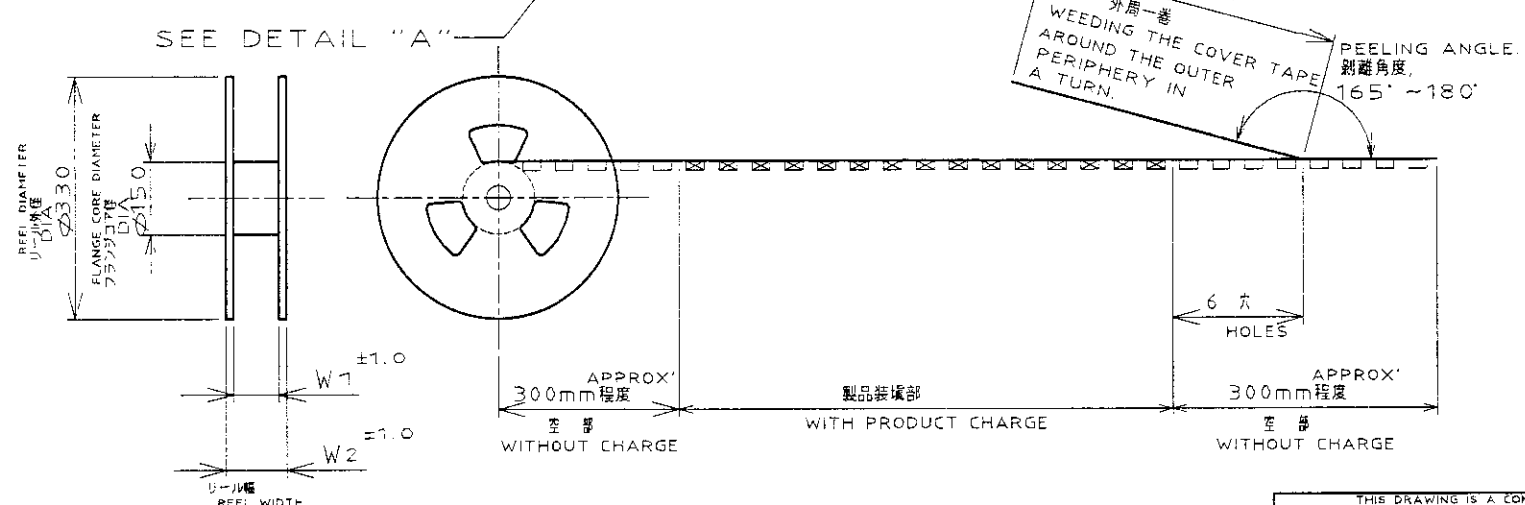
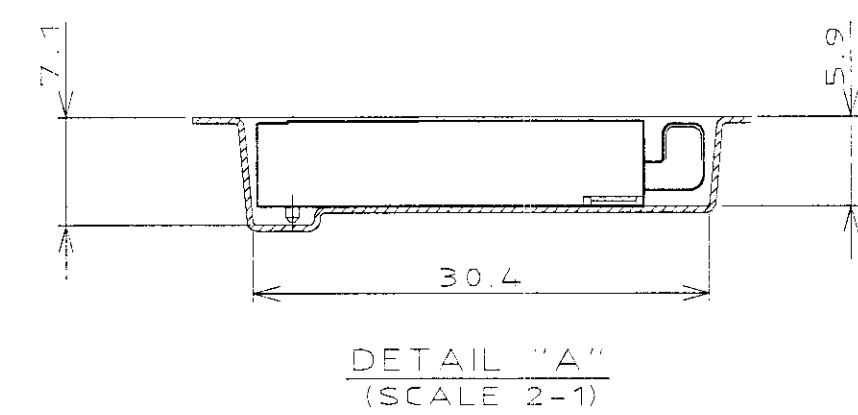
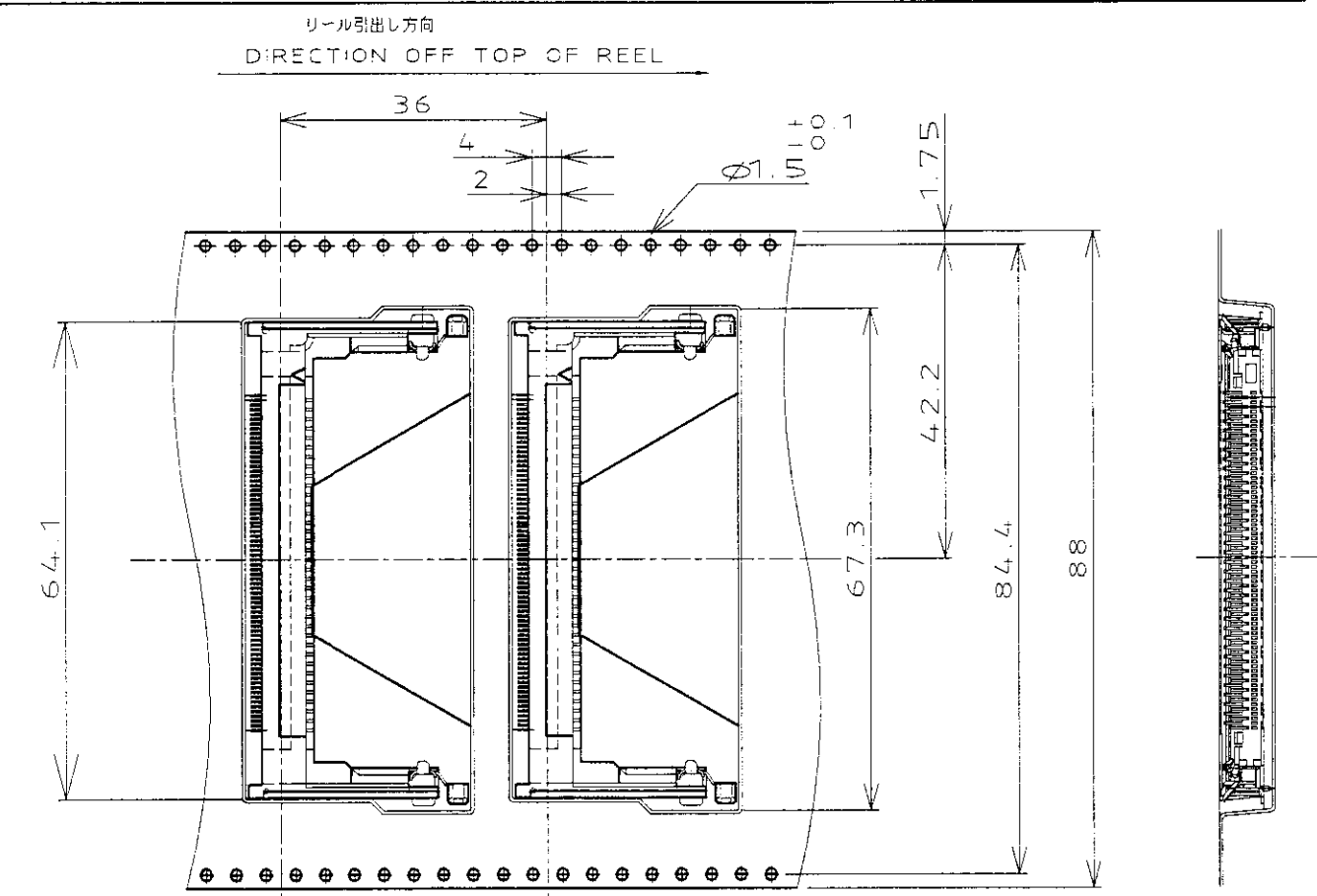


LOC		DIST		REVISIONS					
P	LTR	DESCRIPTION	ECN	DATE	DWN	APVD			
	0	RELEASED	FJ00-0218-00	10FEB'00	T.F.	I.E.			
	A	REVISED	FJ00-0912-00	16JUN'00	Y.K.	T.M.			



0.3Au, 3.3V	93.6	89.0	150	177827-1	1376266-2
0.3Au, 5V	93.6	89.0	150	177827-3	1376266-1
TYPE	W2	W1	QTY	CONN P/N	PART No.

WIRE RANGE 合金電線断面積
 INSULATION DIA 絶縁外径

THIS DRAWING IS A CONTROLLED DOCUMENT FOR AMP INCORPORATED. IT IS SUBJECT TO CHANGE AND THE CONTROLLING ENGINEERING ORGANIZATION SHOULD BE CONTACTED FOR THE LATEST REVISION.

DIMENSIONS: 単位 英 mm	TOLERANCES UNLESS OTHERWISE SPECIFIED 一般公差 102 ± 0.2 302 ± 0.25 1002 ± 0.3 ANGLE ± 3°	DWN T.FUMIKURA 9/FEB/'00 CHK S.Abe 10/FEB/'00 APVD I.Enomoto 10/FEB/'00 PRODUCT SPEC 製品規格 108-5403 APPLICATION SPEC 設計適用規格
MATERIAL	FINISH 仕上	WEIGHT

AMP Tyco Electronics AMP K.K. Kawasaki, Japan

EMBOSS ASSY
MII SOCKET 72POS.

SIZE A3	CAGE CODE 00779	DRAWING NO C-1376266	RESTRICTED TO
CUSTOMER DRAWING		SCALE 1-1	SHEET 1 OF 1

单击下面可查看定价，库存，交付和生命周期等信息

[>>TE Connectivity\(泰科\)](#)