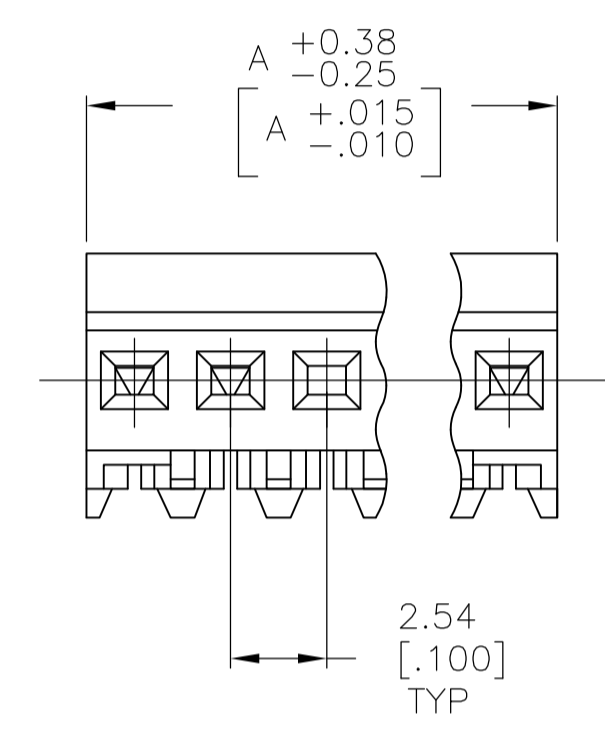
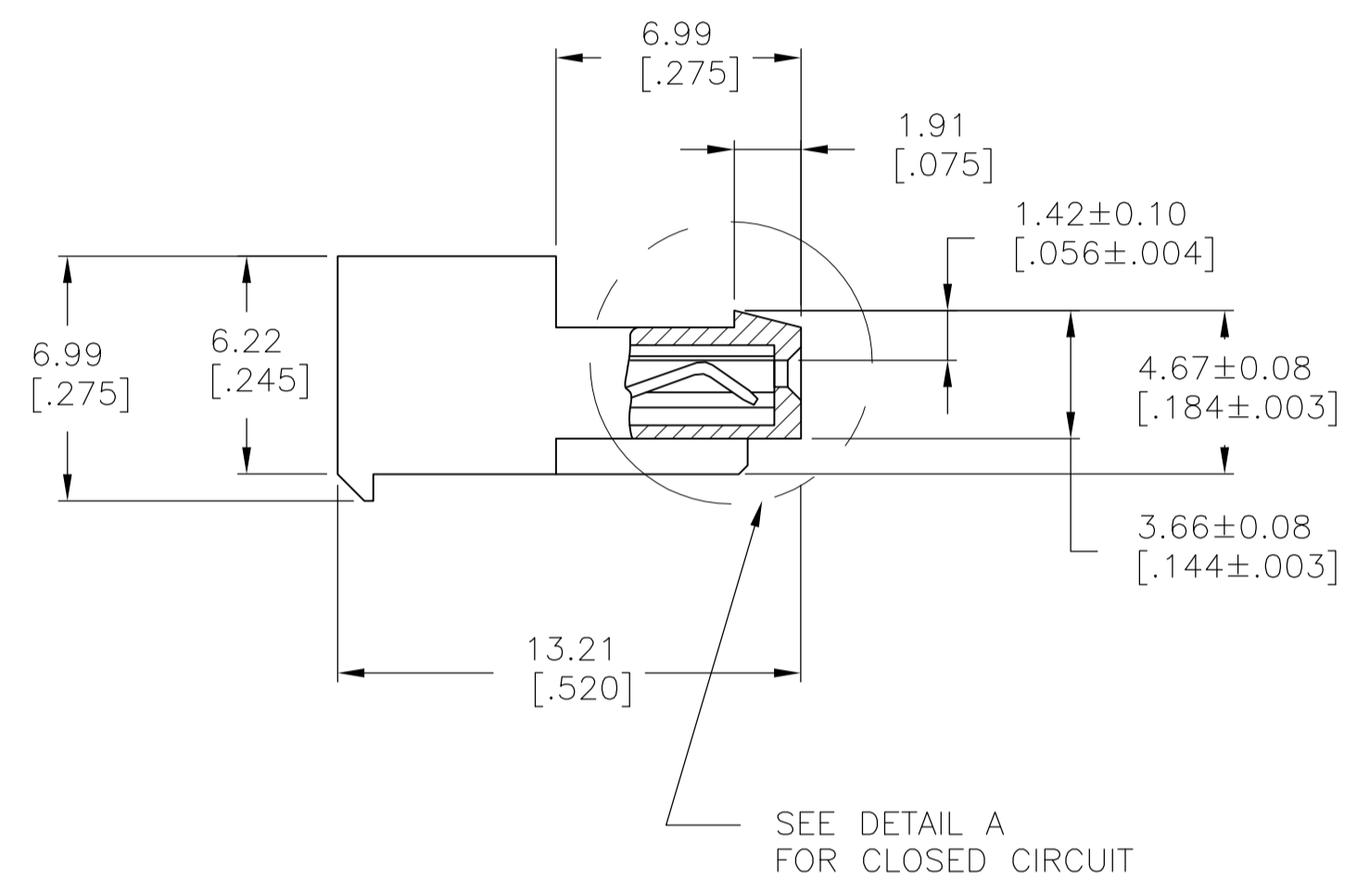
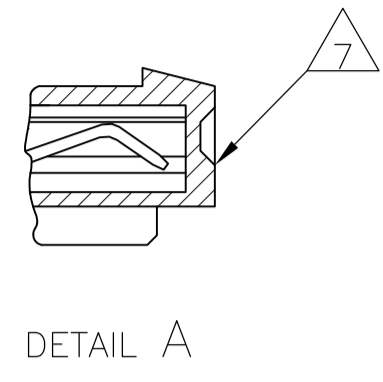
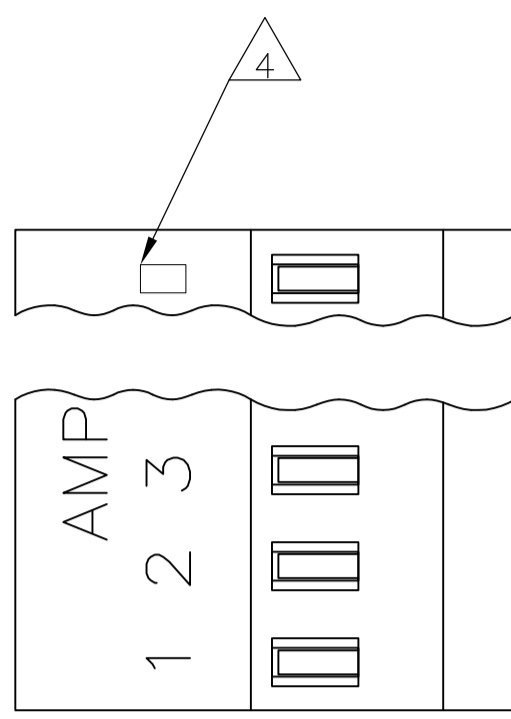


REVISIONS				
REV	DATE	DESCRIPTION	BY	APP'D
T2	29MAR2018	REVISED PER ECR-18-003423	BDA	SG



1 MATERIAL: CONNECTOR - NYLON UL94V-2 (WHITE).  
 CONTACTS - 0.30[.012] THICK COPPER ALLOY  
 MATTE WHISKER MITIGATED TIN  
 0.00203[.000080] MIN THICKNESS  
 OVER NICKEL UNDERPLATE OR BRIGHT  
 TIN-LEAD 93/7 0.00203[.000080] MIN  
 THICKNESS. SEE FINISH COLUMN FOR  
 PLATING TYPE.

2. CONTACTS ACCEPT 24 AWG WIRE WITH 1.52[.060] MAX  
 INSULATION DIAMETER.

3. CONTACTS MUST ACCEPT 0.64±0.03 [.025±.001] SQUARE  
 POST AND REMAIN LOCKED IN POSITION.

4 IDENTIFICATION NUMBER FOR LAST CIRCUIT MAY  
 NOT APPEAR ON ALL ASSEMBLIES.

5. DIMENSIONS IN BRACKETS ARE IN INCHES.

6. HOUSING FEATURES ARE: CLOSED END WITH LOCKING  
 RAMP.

7 DETAIL A SHOWS CIRCUIT NO.3 MOLDED CLOSED.

8 OBSOLETE PARTS: OBSOLETE CIS STREAMLINING PER D.RENAUD/D.SINISI

9 OBSOLETE PARTS

FINISH	DIM A	NO OF CIRCUITS	PART NO
TIN	12.70 [.500]	5	3-641818-5
TIN	10.16 [.400]	4	3-641818-4
TIN-LEAD	12.70 [.500]	5	<del>641818-5</del>
TIN-LEAD	10.16 [.400]	4	<del>641818-4</del>

8 SUPERSEDED  
 9 SUPERSEDED

THIS DRAWING IS A CONTROLLED DOCUMENT.

DIMENSIONS: mm [INCHES]	TOLERANCES UNLESS OTHERWISE SPECIFIED: 0. PLC ± - 1. PLC ± - 2. PLC ± - 3. PLC ± .13 [.005] 4. PLC ± - ANGLES ± -	DIN B. LEWIS 22 APR 91 CHK R. SWING 22 APR 91 APP'D G. MILLER 22 APR 91	NAME MTA-100 CONNECTOR ASSEMBLY, 24 AWG, NO.3 CIRCUIT CLOSED, SPECIAL
MATERIAL 1	FINISH 1	SIZE A1 CAGE CODE 00779 DRAWING NO. 641818	RESTRICTED TO CUSTOMER DRAWING

SCALE 5:1 SHEET 1 OF 1 REV T2

单击下面可查看定价，库存，交付和生命周期等信息

[>>TE Connectivity\(泰科\)](#)