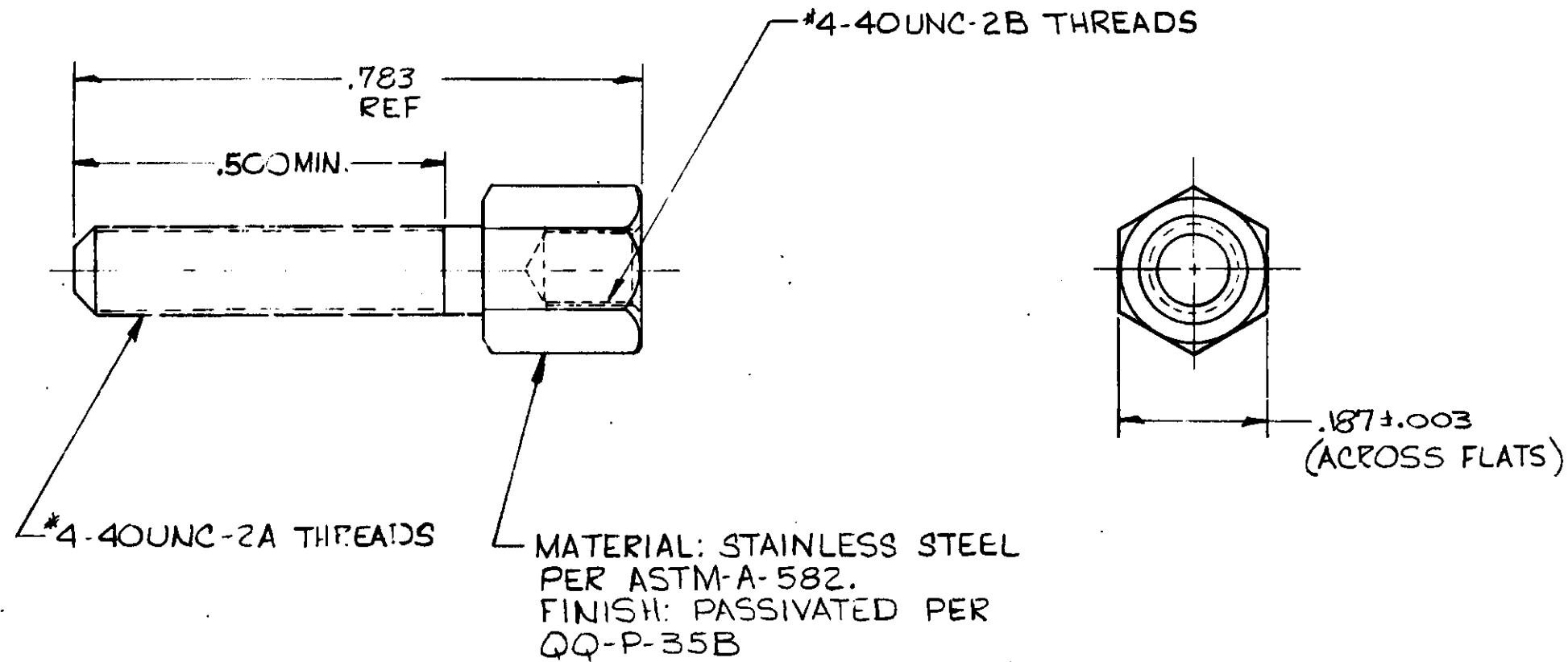


THIS DRAWING IS UNPUBLISHED. RELEASED FOR PUBLICATION, 19
 © COPYRIGHT 19 BY AMP INCORPORATED, HARRISBURG, PA. ALL INTERNATIONAL RIGHTS RESERVED. AMP PRODUCTS MAY BE COVERED BY U.S. AND FOREIGN PATENTS AND/OR PATENTS PENDING.

REVISIONS					DATE	APPROVED
P	F	ZONE	LTR	DESCRIPTION		
/	/		R	ECO-10-010402	PY 6-10	RL



UNLESS OTHERWISE SPECIFIED DIMENSIONS ARE IN INCHES. TOLERANCES ON: DECIMALS ± .001 ANGLES ± .5°		CONTRACT NO		AS SHOWN		212452-1	
MATERIAL SEE CALLOUTS		DR R. G. [Signature] 2-27-84		DESCRIPTION		PART NO	
FINISH SEE CALLOUTS		CHK [Signature] 2-28-84		AMP AMP INCORPORATED Harrisburg, Pa.			
		APPD [Signature] 2-29-84					
		DSCN APPD [Signature] 3/4/84		SIZE B	FSCM NO 00779	DRAWING NO 212452	REV R
		OTHER APPD		SCALE NTS	SHEET 1 OF 1		

单击下面可查看定价，库存，交付和生命周期等信息

[>>TE Connectivity\(泰科\)](#)