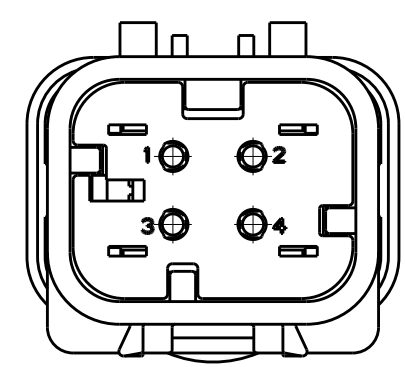
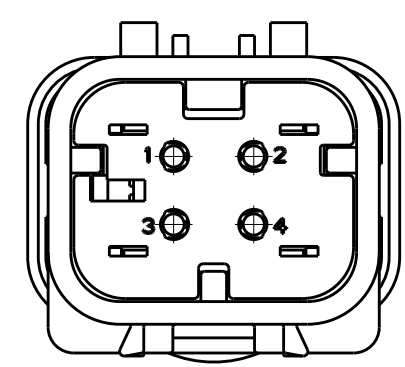


THIS DRAWING IS UNPUBLISHED  
RELEASED FOR PUBLICATION  
COPYRIGHT 20 BY - ALL RIGHTS RESERVED.

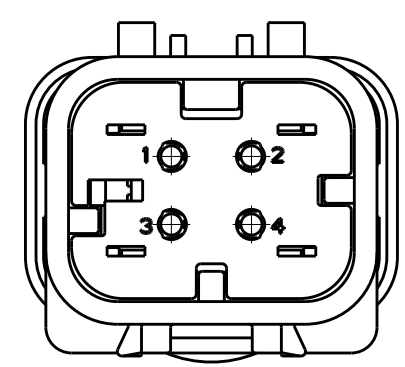
REVISIONS				
P	LTR	DESCRIPTION	DATE	APVD
	D	REVISED PER ECO-13-019168	05DEC2013	DR RB



776488-2  
SCALE 2:1

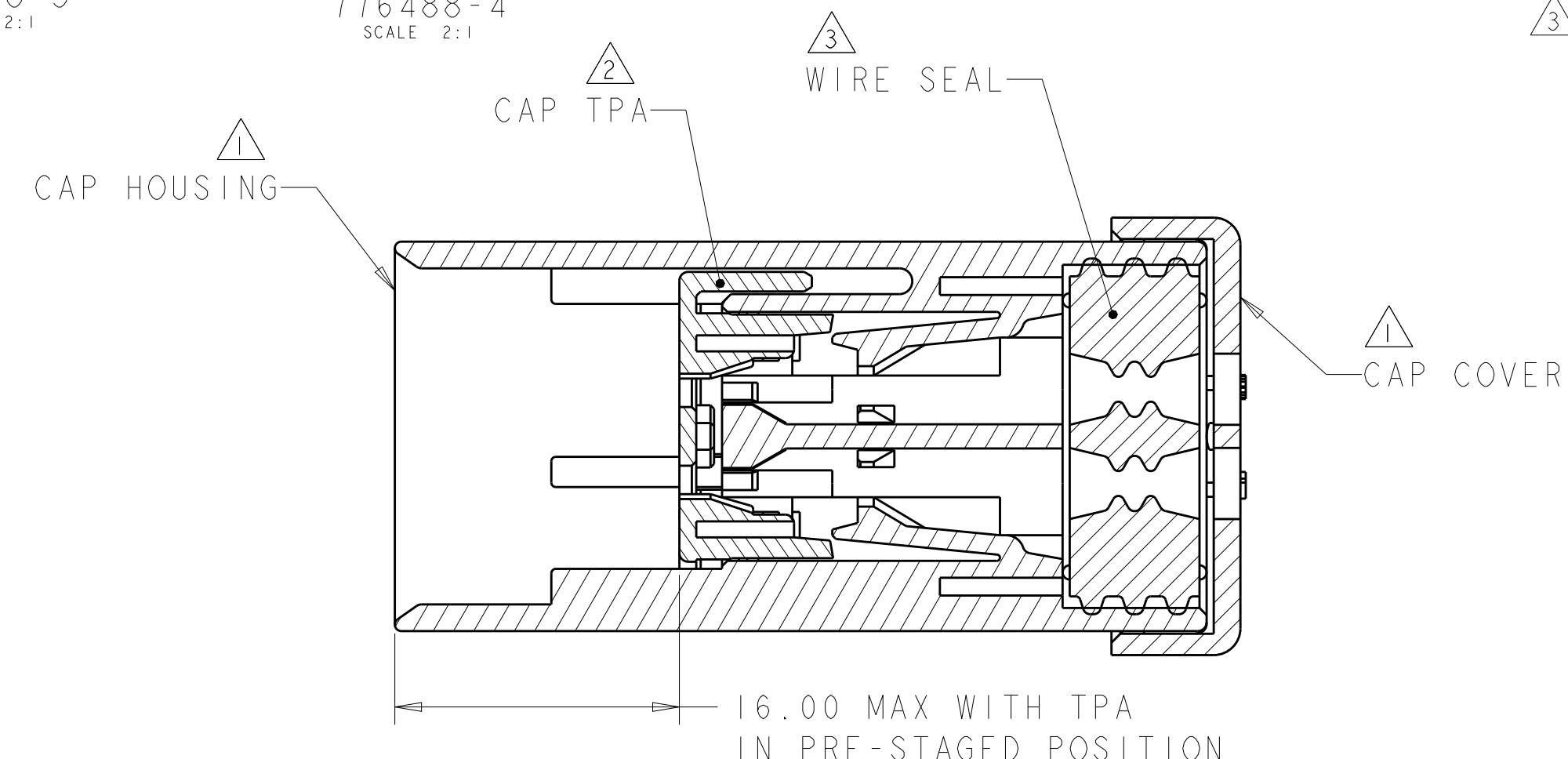


776488-3  
SCALE 2:1

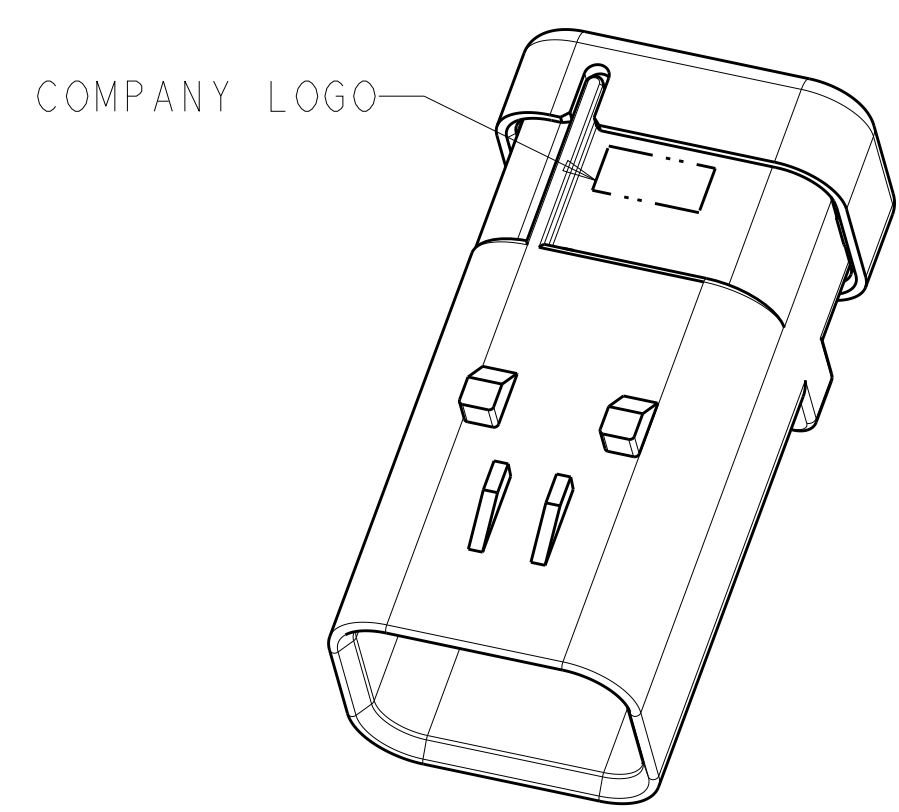


776488-4  
SCALE 2:1

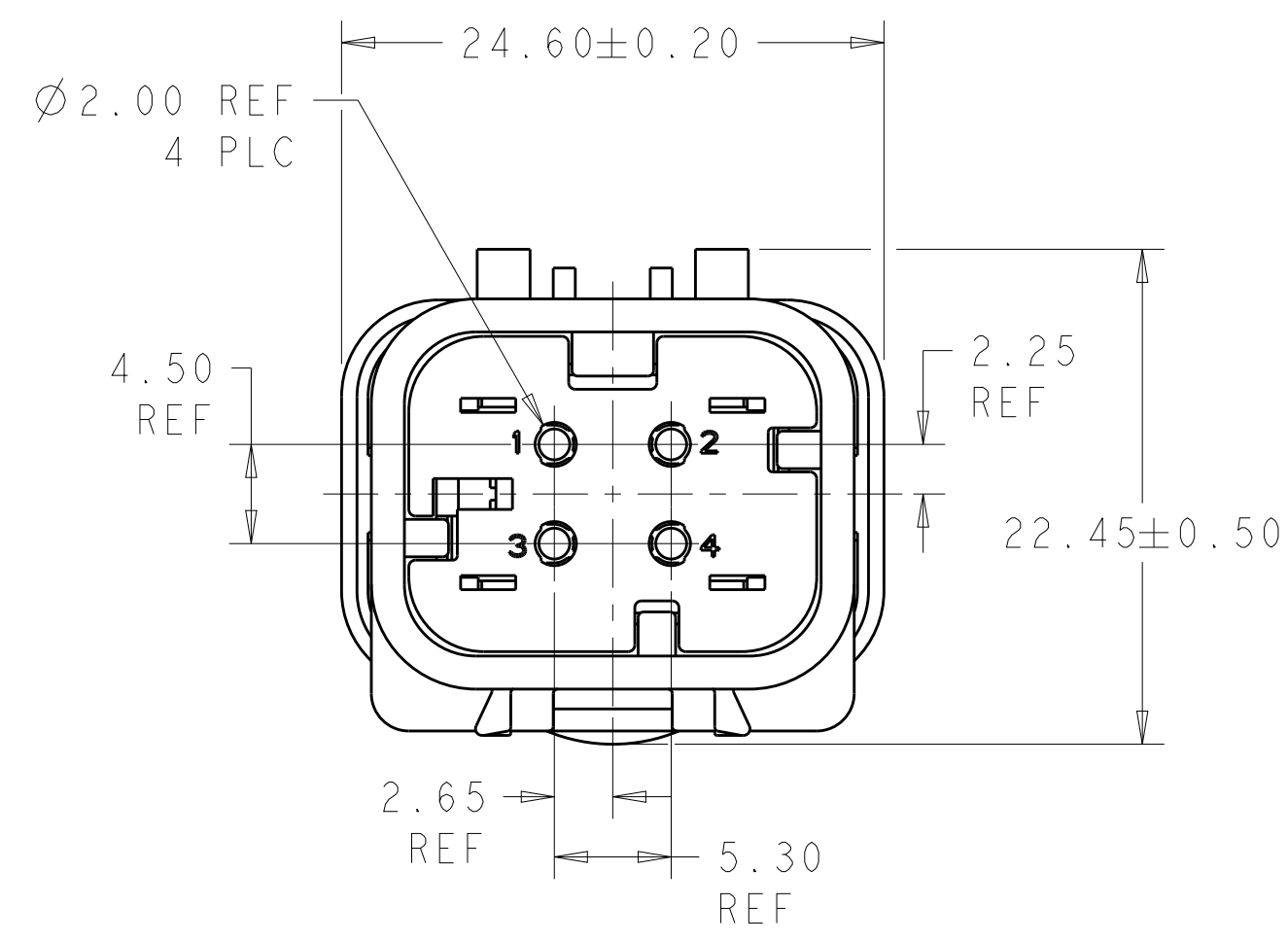
- ① MATERIAL: 15% GLASS FILLED THERMOPLASTIC  
COLOR: BLACK
- ② MATERIAL: 15% GLASS FILLED THERMOPLASTIC  
COLOR: (SEE TABLE)
- ③ MATERIAL: SILICONE  
COLOR: GREEN



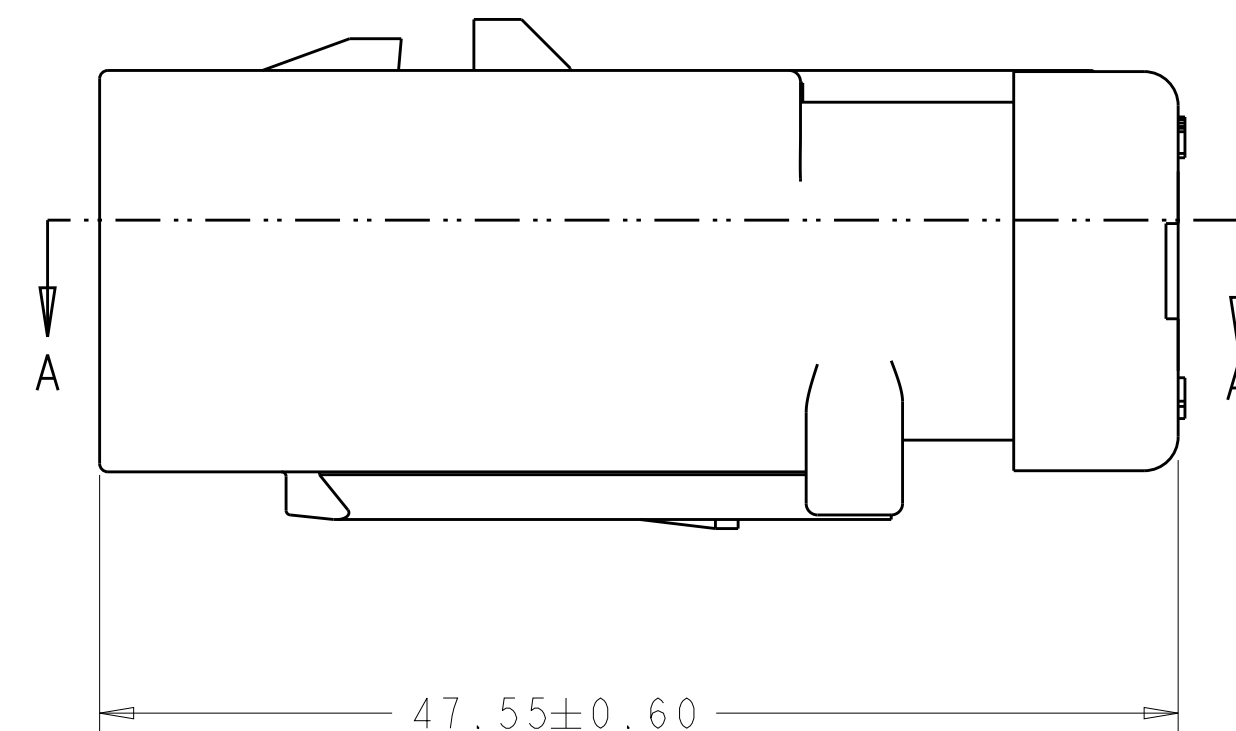
SECTION A-A



SCALE 2:1



776488-1 SHOWN



GREEN	776488-4
YELLOW	776488-3
GRAY	776488-2
RED	776488-1
TPA COLOR	PART NUMBER

THIS DRAWING IS A CONTROLLED DOCUMENT.

DIMENSIONS: mm	TOLERANCES UNLESS OTHERWISE SPECIFIED: 0 PLC ± 1 PLC ± 2 PLC ± 3 PLC ± 4 PLC ± ANGLES ± FINISH	DWN W. HOELSCHER 16DEC02	TE Connectivity CAP ASSEMBLY, 4 POSITION, DUAL ROW, AMPSEAL 16
		CHK B. SIMPSON 18DEC02	
		APVD D. KLEIN 18DEC02	NAME
		PRODUCT SPEC 108-2184	SIZE
		APPLICATION SPEC 114-13065	CAGE CODE
		WEIGHT 14	DRAWING NO A200779
		Customer Drawing	RESTRICTED TO
		SCALE 3:1	SHEET 1 OF 1
			REV D

单击下面可查看定价，库存，交付和生命周期等信息

[>>TE Connectivity\(泰科\)](#)