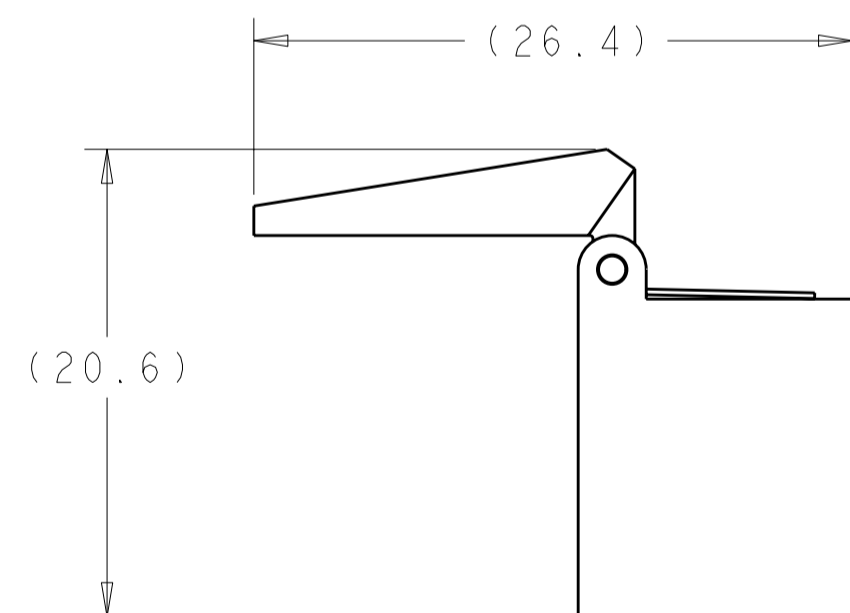
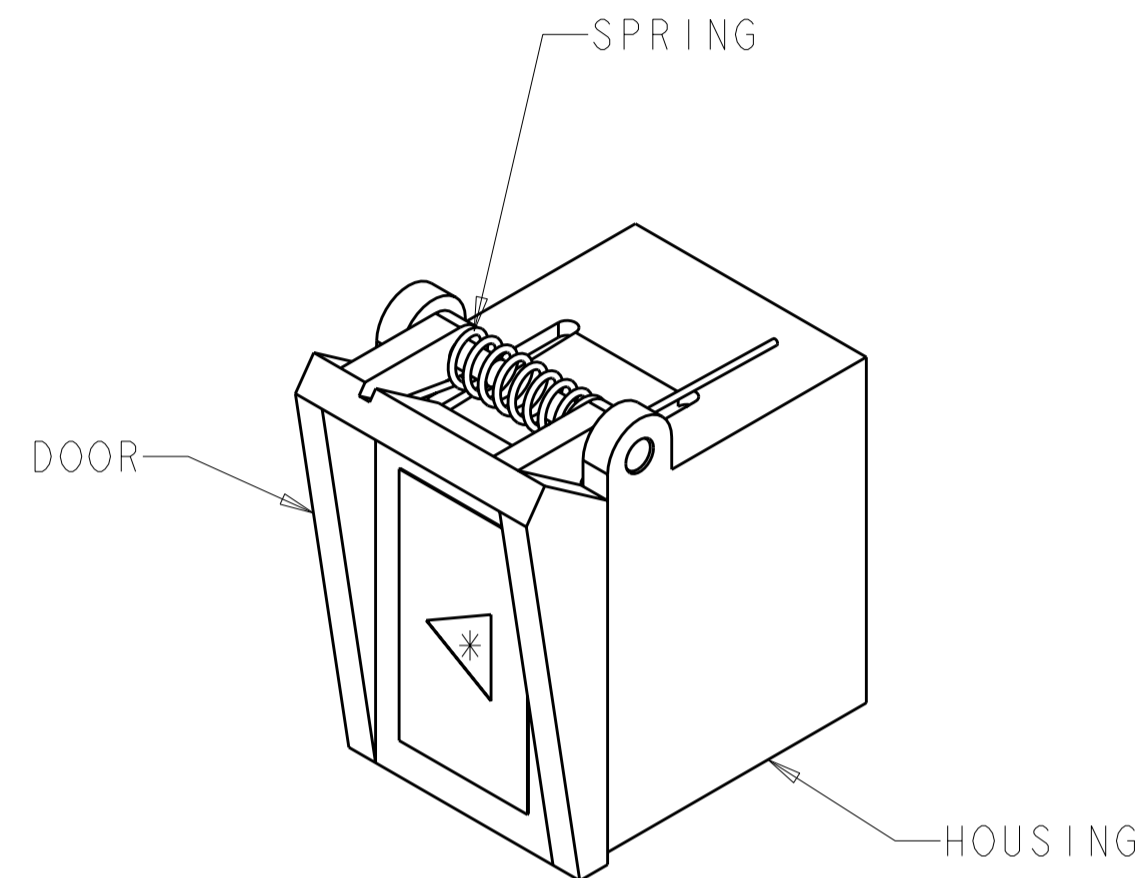
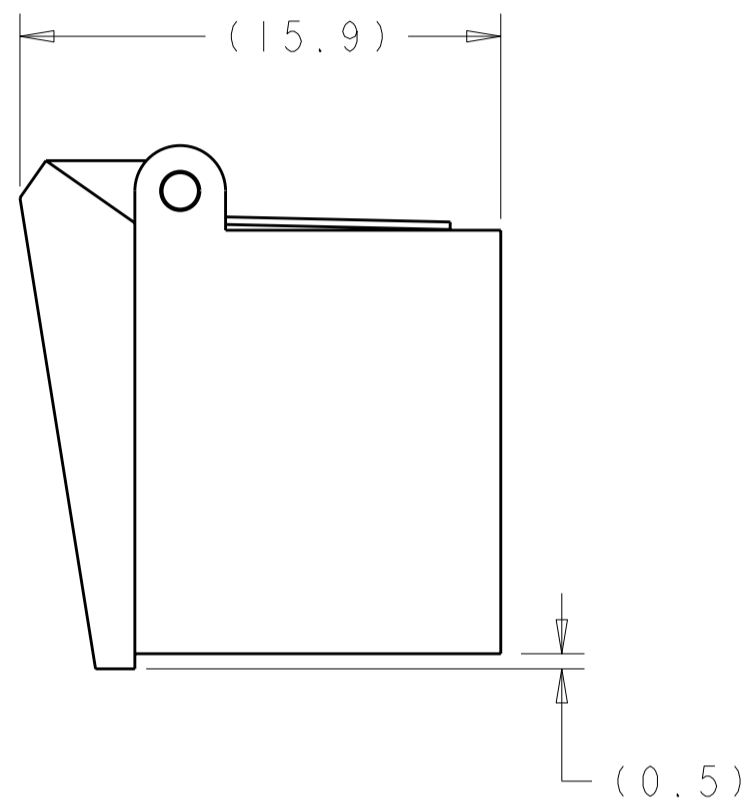
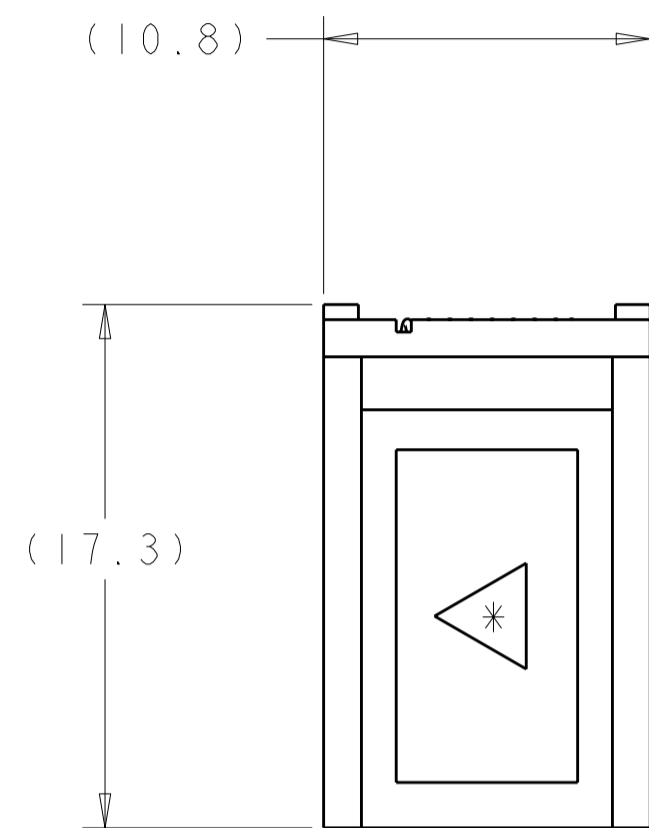


THIS DRAWING IS UNPUBLISHED. RELEASED FOR PUBLICATION 20
 © COPYRIGHT 20 BY TYCO ELECTRONICS CORPORATION. ALL RIGHTS RESERVED.

LOC	DIST	REVISIONS					
CE	00	P	LTR	DESCRIPTION	DATE	DWN	APVD
		A		EC 0A00-0353-03	23JUL2003	EJH	SB
		B		REVISE PER ECR-08-000308	11JAN2008	BB	SM
		C		REVISE PER ECR-08-16409	02JUL2008	BB	SM



DOOR OPEN VIEW

GREEN	1693539-3
BEIGE	1693539-2
BLUE	1693539-1
COLOR	PART NUMBER

⚠ MATERIAL:
 HOUSING AND DOOR: PBT, UL94 V-0 RATED AT QUALIFYING THICKNESS
 SPRING: STAINLESS STEEL

DIMENSIONS:		TOLERANCES UNLESS OTHERWISE SPECIFIED:		DWN	08MAY2003	Tyco Electronics	
mm		0 PLC	±.15	MDL	08MAY2003	Harrisburg, PA 17105-3608	
		1 PLC	±0.15	CHK	MDL	NAME	
		2 PLC	±0.08	APVD	MDL	COVER, RETRACTABLE, SC ADAPTER, SIMPLEX	
		3 PLC	±0.050	SB	08MAY2003	SIZE	CAGE CODE
		4 PLC	±	PRODUCT SPEC	-	A2	00779
		ANGLES	±1/2	APPLICATION SPEC	-	DRAWING NO	1693539
		FINISH	-	WEIGHT	-	RESTRICTED TO	-
				CUSTOMER DRAWING		SCALE	3:1
						SHEET	1
						OF	1
						REV	C

单击下面可查看定价，库存，交付和生命周期等信息

[>>TE Connectivity\(泰科\)](#)