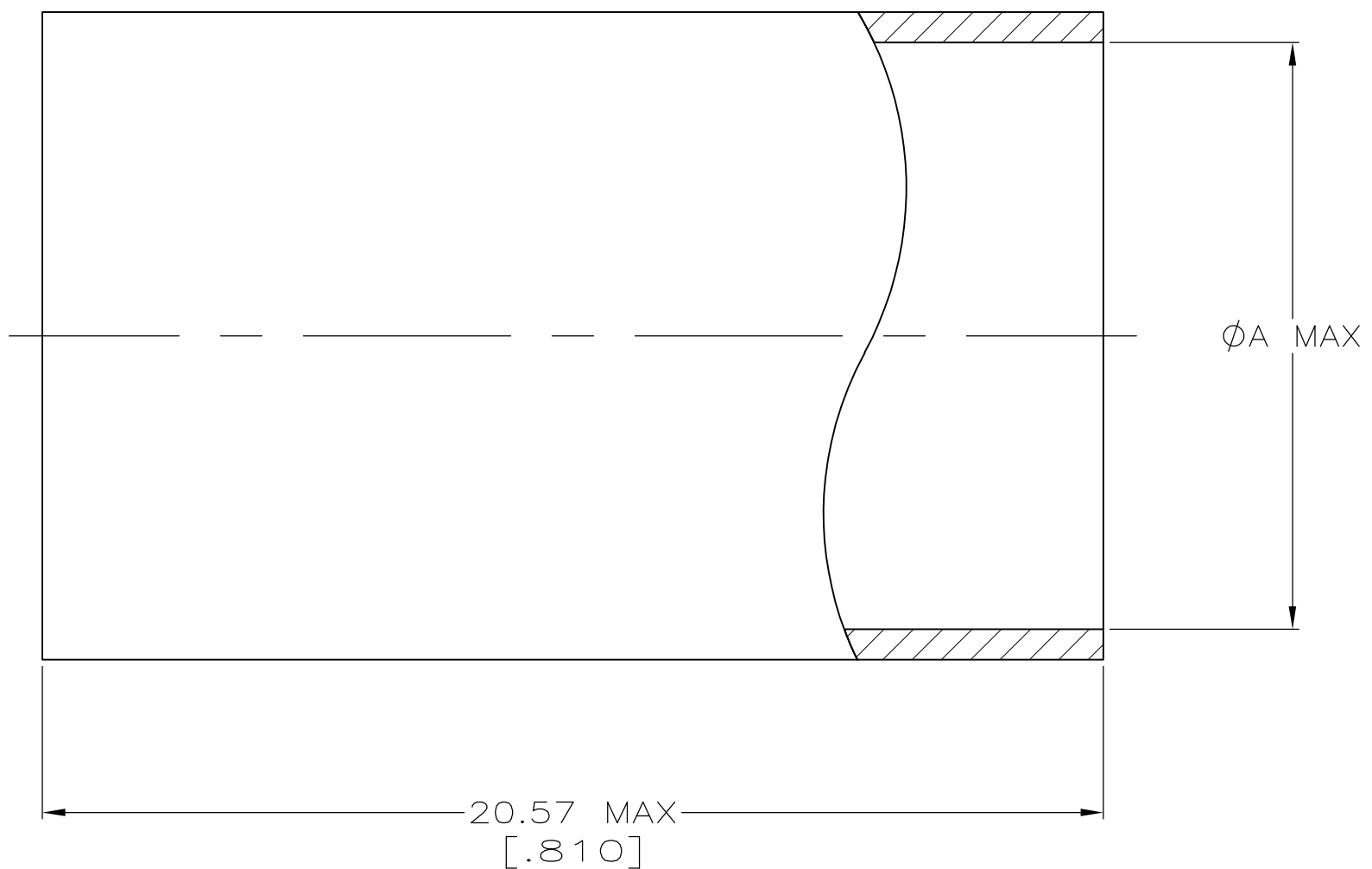


THIS DRAWING IS UNPUBLISHED. RELEASED FOR PUBLICATION
 © COPYRIGHT - BY TYCO ELECTRONICS CORPORATION. ALL RIGHTS RESERVED.

LOC	DIST	REVISIONS			
P	LTR	DESCRIPTION	DATE	DWN	APVD
	AC	REVISED PER ECO-10-008441	17JUN10	HMR	KW



- 1. COPPER ALLOY
- 2. NICKEL PLATE PER QQ-N-290, 2.54µm (.0000100) MIN THICKNESS.
- 3. SILVER PLATE PER QQ-S-365, 5.08µm (.0000200) MIN THICKNESS.
- 4. TIN-LEAD PLATE PER ASTM-B-545, 2.54µm (.000100) MIN THICKNESS, WITH SUPPLEMENTAL ANTI FRETTING LUBRICANT.
- 5. MATTE TIN PLATE PER ASTM-B-545, 2.54µm (.000100) MIN THICKNESS, WITH SUPPLEMENTAL ANTI FRETTING LUBRICANT.

	5	8.51 [.334]	9-51713-3
	5	8.99 [.354]	9-51713-1
	5	11.28 [.444]	9-51713-0
	4	11.28 [.444]	1-51713-3
	4	8.51 [.334]	1-51713-2
	4	8.99 [.354]	1-51713-1
OBSOLETE	2	8.89 [.350]	1-51713-0
	4	11.28 [.444]	51713-9
	4	8.89 [.350]	51713-8
OBSOLETE	4	8.51 [.334]	51713-6
	3	8.99 [.354]	51713-4
	3	11.28 [.444]	51713-2
	FINISH	A	PART NUMBER

THIS DRAWING IS A CONTROLLED DOCUMENT.		DWN MICHAEL E. COWHER 10NOV95	Tyco Electronics Corporation Harrisburg, Pa 17105-3608													
DIMENSIONS: mm [INCHES]		CHK FRANK MORANA 10NOV95	NAME													
TOLERANCES UNLESS OTHERWISE SPECIFIED:		APVD FRANK MORANA 10NOV95	FERRULE													
<table border="0"> <tr><td>0 PLC</td><td>± -</td></tr> <tr><td>1 PLC</td><td>± -</td></tr> <tr><td>2 PLC</td><td>± -</td></tr> <tr><td>3 PLC</td><td>± -</td></tr> <tr><td>4 PLC</td><td>± -</td></tr> <tr><td>ANGLES</td><td>± -</td></tr> </table>		0 PLC	± -	1 PLC	± -	2 PLC	± -	3 PLC	± -	4 PLC	± -	ANGLES	± -	PRODUCT SPEC	SIZE	
0 PLC	± -															
1 PLC	± -															
2 PLC	± -															
3 PLC	± -															
4 PLC	± -															
ANGLES	± -															
MATERIAL SEE NOTES		APPLICATION SPEC	CAGE CODE	DRAWING NO												
FINISH SEE TABLE		WEIGHT	A3 00779	51713												
		CUSTOMER DRAWING	RESTRICTED TO													
		SCALE	SHEET	REV												
		8:1	1 OF 1	AC												

单击下面可查看定价，库存，交付和生命周期等信息

[>>TE Connectivity\(泰科\)](#)