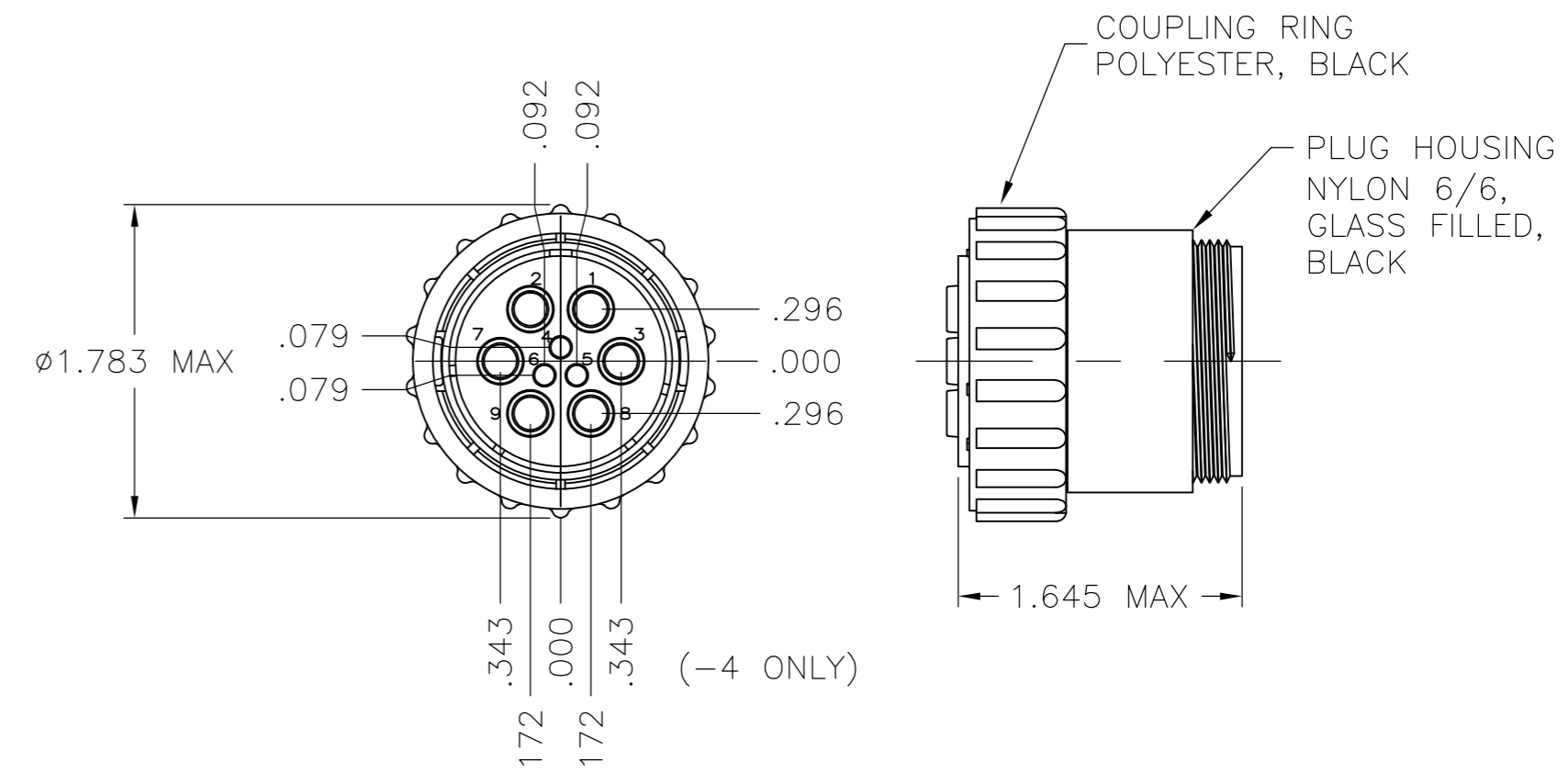
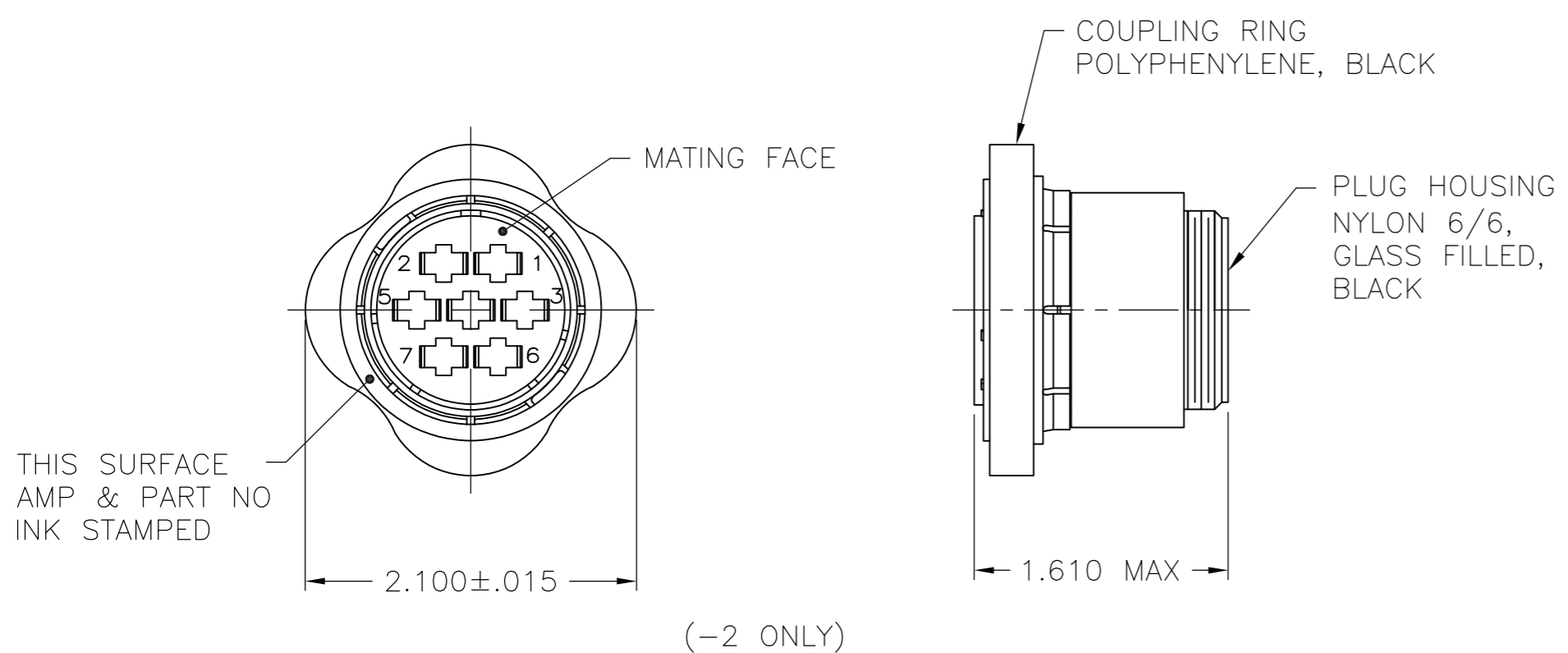
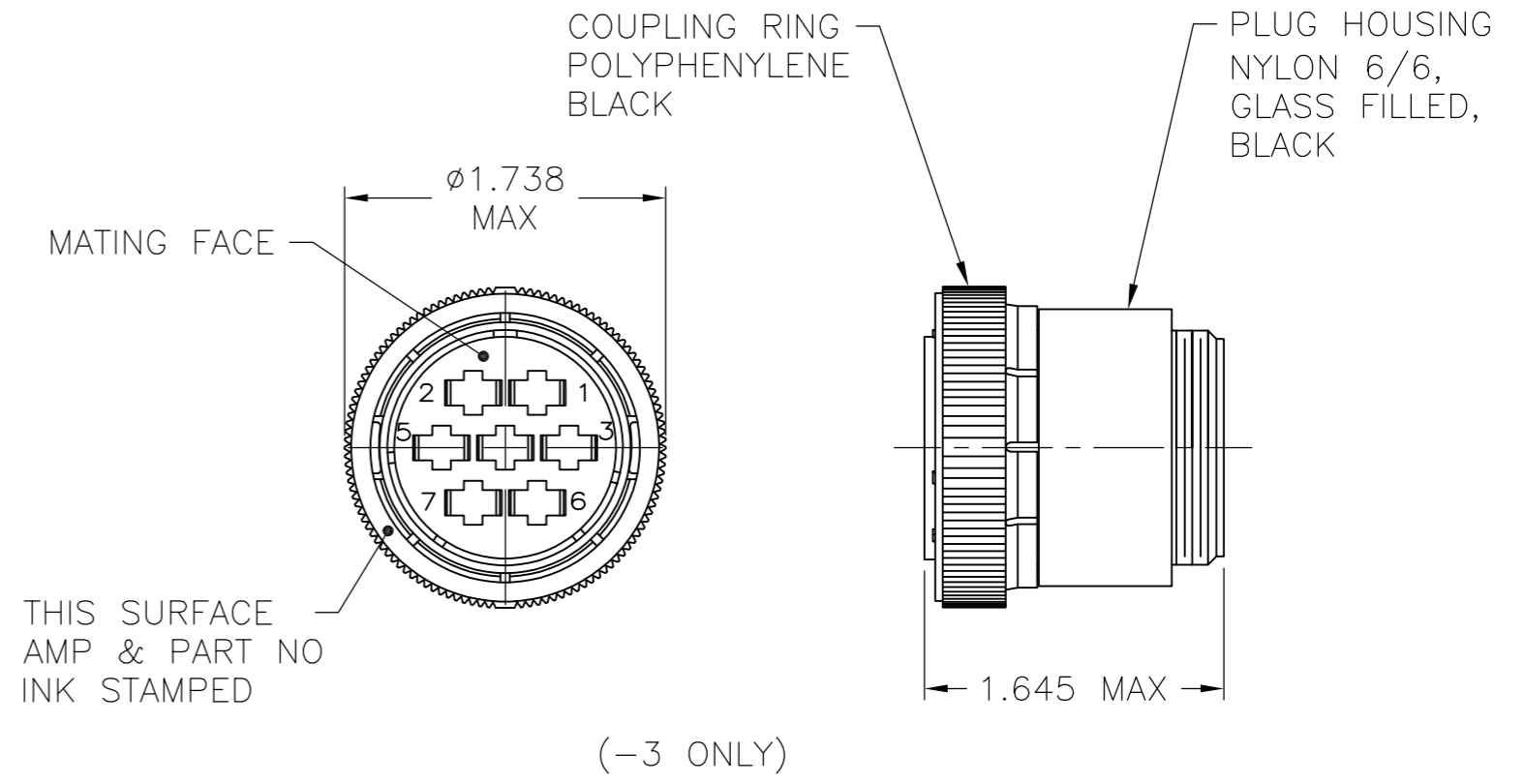
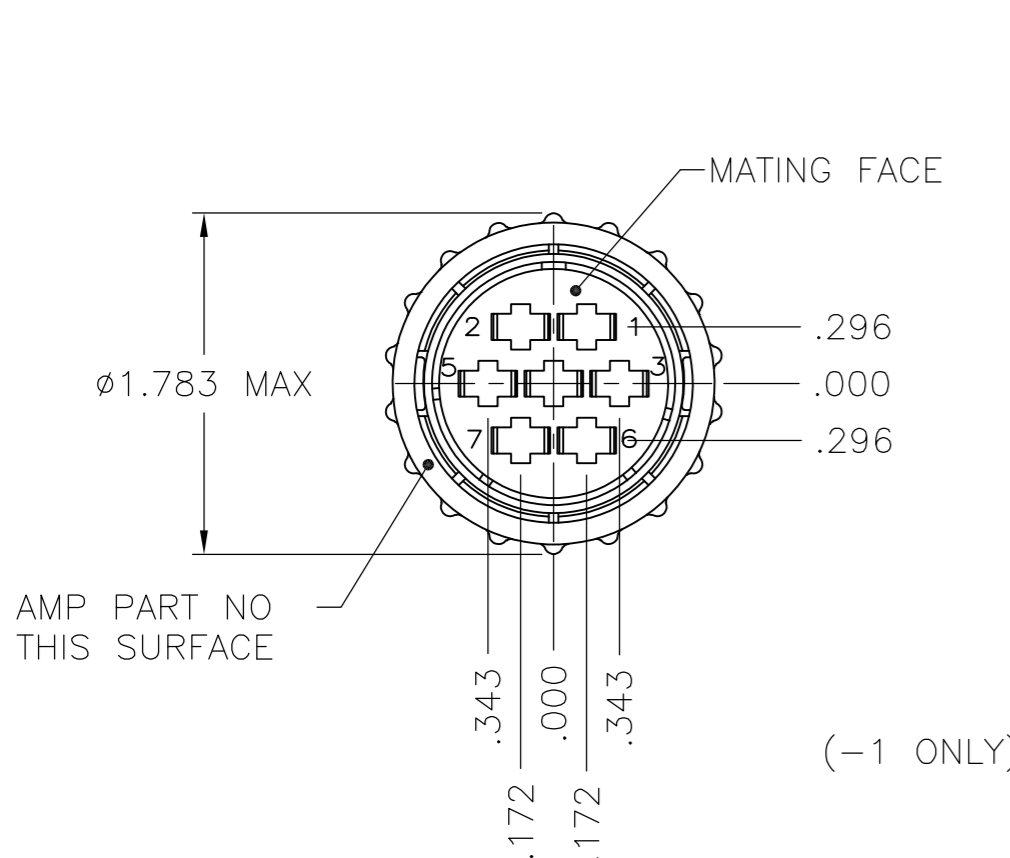


THIS DRAWING IS UNPUBLISHED. RELEASED FOR PUBLICATION
 © COPYRIGHT - By - ALL RIGHTS RESERVED.

LOC		DIST		REVISIONS			
P	LTR	DESCRIPTION	DATE	DWN	APVD		
	J2	REVISED PER ECO-15-016153	10FEB2016	NK	MZ		



- 1 CONTACT CAVITIES IDENTIFIED BY CHARACTERS ON FRONT AND REAR FACE OF CONNECTOR.
- △ -1, -2 AND -3 CONNECTORS WILL ACCEPT SEVEN (7) TYPE XII SOCKET CONTACTS.
- △ -4 CONNECTOR WILL ACCEPT SIX (6) POWER BAND SOCKET CONTACTS AND THREE (3) TYPE III+ SIGNAL SOCKET CONTACTS.

△3	OBSOLETE	206136-4
△2		206136-3
△2	OBSOLETE	206136-2
△2		206136-1
		PART NUMBER

THIS DRAWING IS A CONTROLLED DOCUMENT.		DWN	S.RIDGLEY BG	7/30/90	TE Connectivity
		CHK	R.STONE	04/26/91	
DIMENSIONS: INCHES		TOLERANCES UNLESS OTHERWISE SPECIFIED:		NAME	
0 PLC ± - 1 PLC ± - 2 PLC ± .02 3 PLC ± .010 4 PLC ± - ANGLES ± - FINISH -		PRODUCT SPEC 108-10024 APPLICATION SPEC -		PLUG ASSEMBLY, SHELL SIZE 23, STANDARD SEX, CPC	
MATERIAL SEE CALLOUT		WEIGHT	-	SIZE	A2
		CUSTOMER DRAWING	SCALE	CAGE CODE	00779
			RESTRICTED TO	DRAWING NO	C=206136
			SCALE	SHEET	1 of 1
			REV	J2	

单击下面可查看定价，库存，交付和生命周期等信息

[>>TE Connectivity\(泰科\)](#)