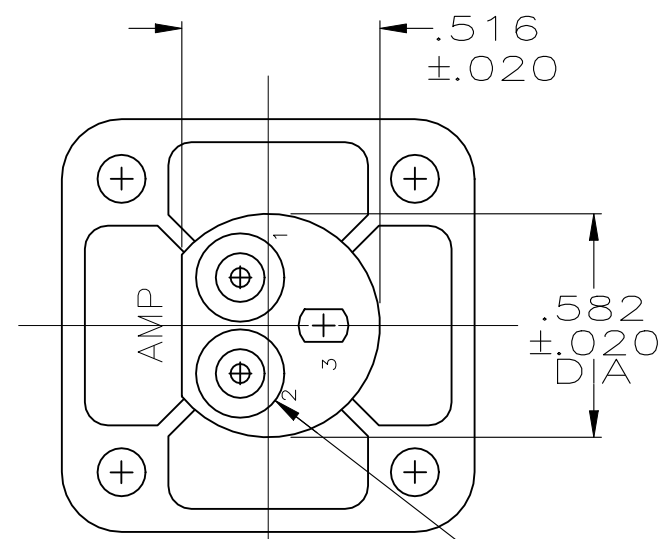
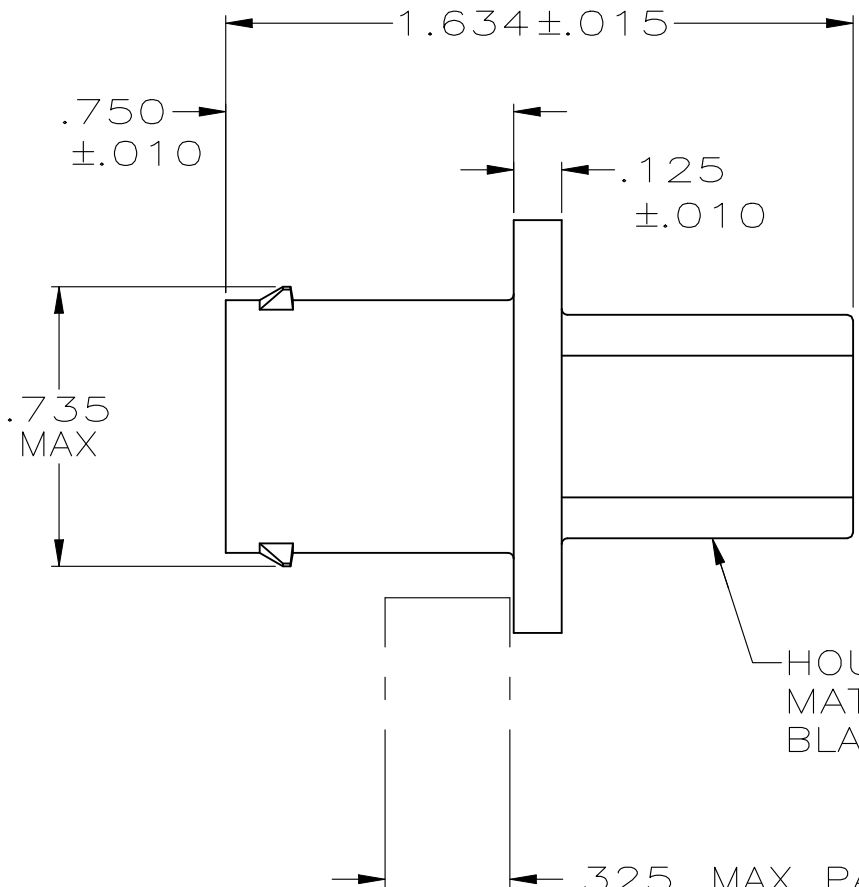
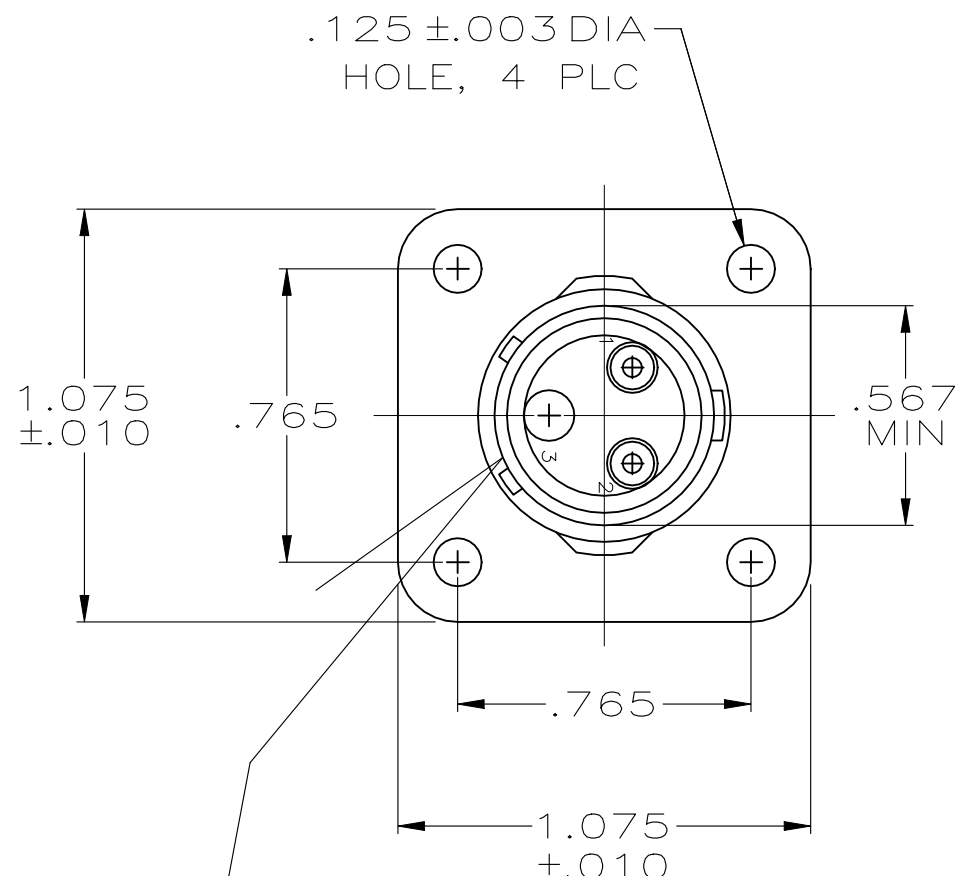


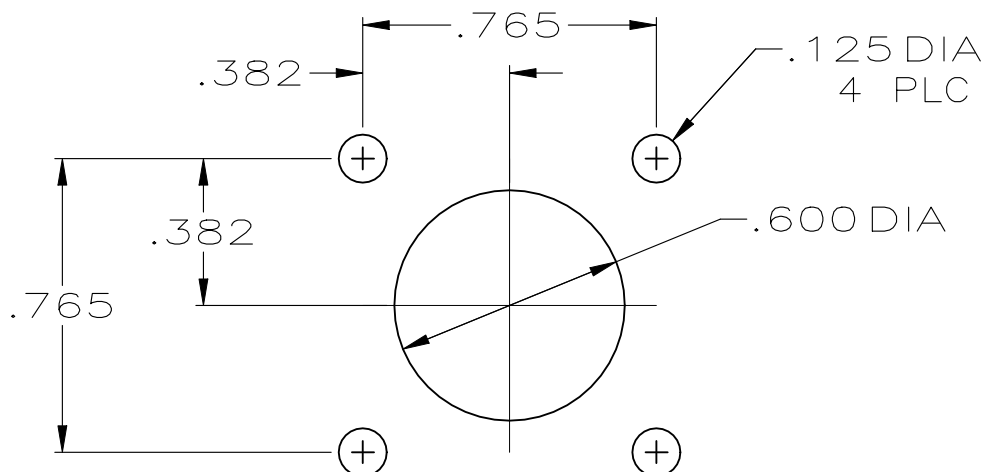
REVISIONS					
P	LTR	DESCRIPTION	DATE	DWN	APVD
	G	PER PCN E-20-018081	10MAR2021	SCK	



HOUSING MATERIAL: THERMOPLASTIC BLACK

DISCRETE WIRE SEALS (2) MATERIAL: ELASTOMER BLACK

PERIPHERAL SEAL MATERIAL: ELASTOMER BLACK



RECOMMENDED PANEL CUTOUT

1. WIRE INSULATION SEALING RANGE .070-.130 DIA.
2. THIN MEMBRANE PERMISSIBLE ON SMALL DIAMETER OF WIRE SEALS.
3. ROTATION OF CAVITY CIRCUIT KEY FROM PART TO PART IS PERMISSIBLE.

207853-1
PART NUMBER

THIS DRAWING IS A CONTROLLED DOCUMENT.		DWN	8-21-90		STE TE Connectivity	
		J GALLUCCI	BG			
DIMENSIONS: INCHES		CHK			NAME	
TOLERANCES UNLESS OTHERWISE SPECIFIED:		APVD			ECONOSEAL, SQUARE FLANGE RECEPTACLE, SHELL SIZE 10, 2 POSITION, PIN CONTACTS	
0 PLC ± -		PRODUCT SPEC			SIZE	
1 PLC ± -		APPLICATION SPEC			CAGE CODE	
2 PLC ± -					DRAWING NO	
3 PLC ± .005					RESTRICTED TO	
4 PLC ± -					-	
ANGLES ± -		WEIGHT	0.000000		A300779	
FINISH		CUSTOMER DRAWING		C-207853		
SEE CALLOUT		SCALE	2:1		SHEET 1 OF 1	
		REV		G		

单击下面可查看定价，库存，交付和生命周期等信息

[>>TE Connectivity\(泰科\)](#)