

THIS DRAWING IS UNPUBLISHED.

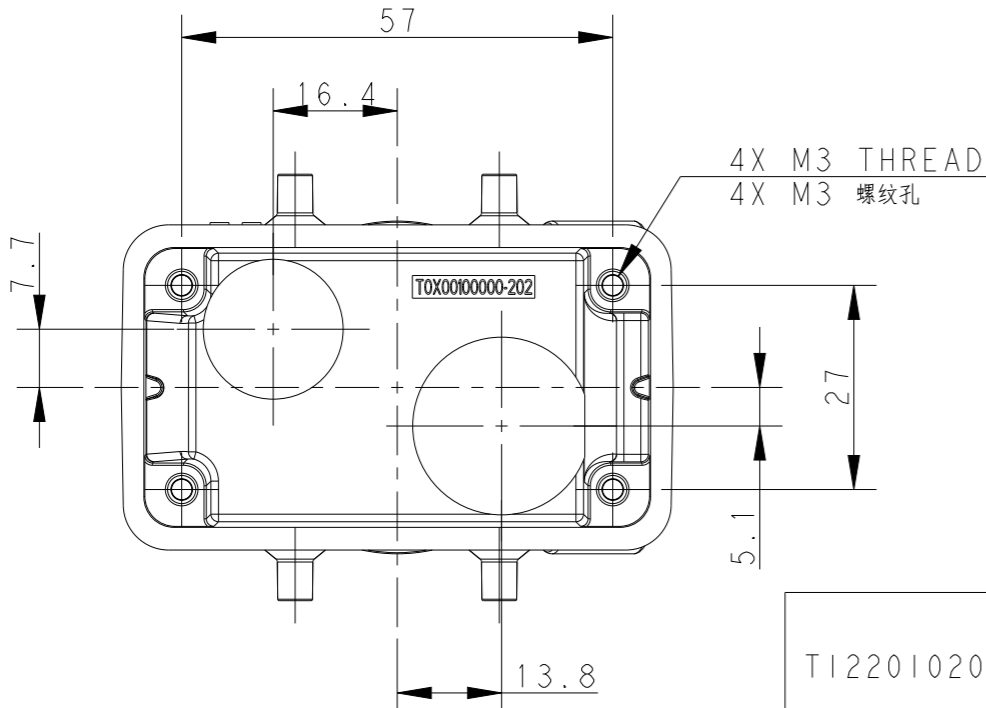
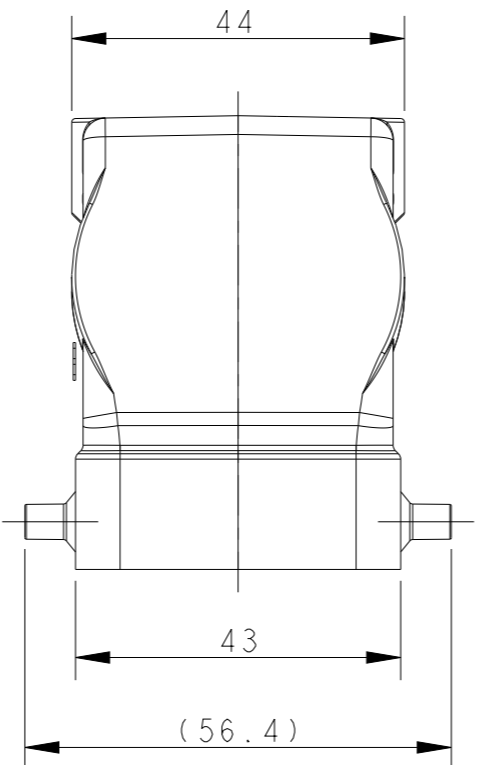
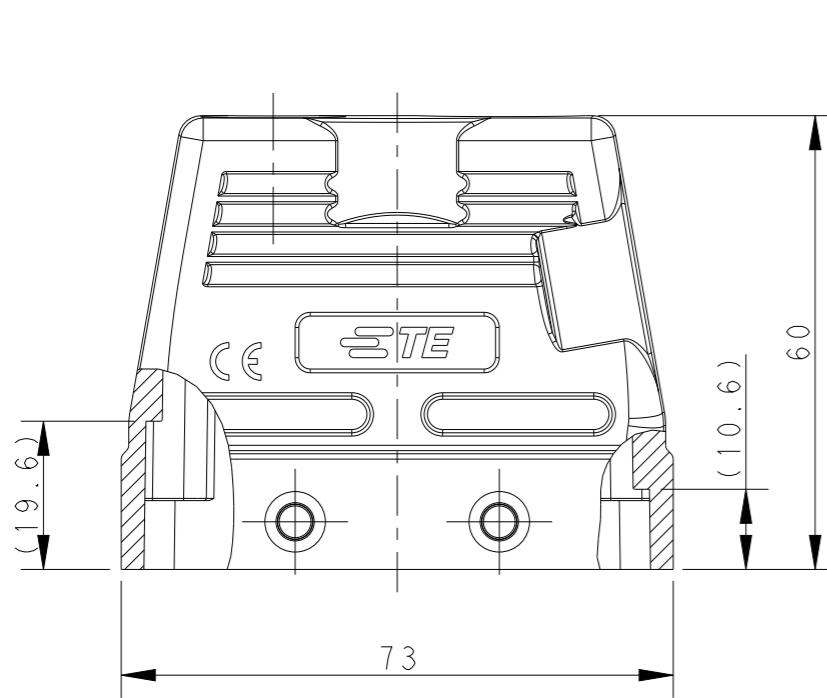
RELEASED FOR PUBLICATION

20

REVISIONS

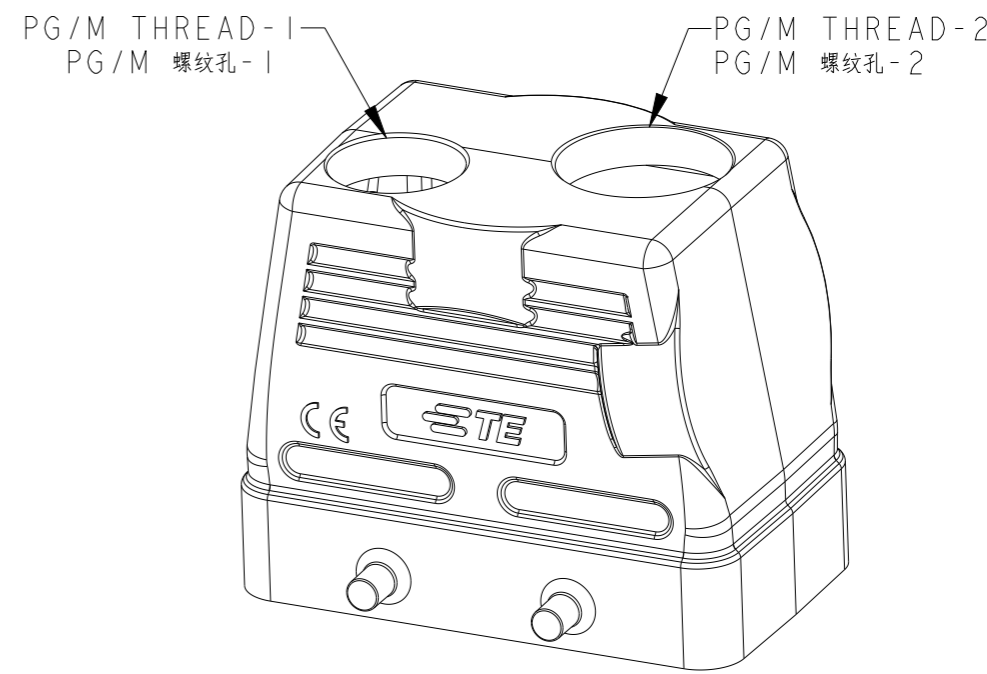
© COPYRIGHT 20 BY - ALL RIGHTS RESERVED.

P	LTR	DESCRIPTION	DATE	DWN	APVD
	A	INITIAL RELEASE	26FEB2020	DW	CW
	B	ECR-20-014388	26FEB2021	WQR	CW
	B1	ECR-21-103925	11JUN2021	WQR	CW




NOTES:
 1. TECHNICAL CHARACTERISTICS:
 HOOD MATERIAL: DIE CAST ALUMINIUM ALLOY
 SURFACE: POWDER COATED, GREY
 DEGREE OF PROTECTION: IP65 (MATED)

注释:
 1. 技术参数:
 上壳材料: 铝合金
 表面处理: 灰色粉末喷涂
 防护等级: IP65(配合)



T1220102025-000	H10B-TG-M20/M25 SHORT RIB	H10B HOOD, TOP ENTRY M20/M25, 4 EAR, LOW CONSTRUCTION, SHORT RIB, POWDER COATED, GREY H10B上壳, 顶出M20/M25, 4耳, 低结构, 短筋条, 灰色粉末喷涂	M20	M25
PART NUMBER 零件料号	PART DESCRIPTION 零件描述		PG/M THREAD-1 PG/M 螺纹孔-1	PG/M THREAD-2 PG/M 螺纹孔-2

THIS DRAWING IS A CONTROLLED DOCUMENT.		DWN 26FEB2020 DAVID WANG	 TE Connectivity	
DIMENSIONS: mm		CHK 26FEB2020 GINO YAO		
TOLERANCES UNLESS OTHERWISE SPECIFIED:		APVD 26FEB2020 CHRIS WANG	NAME H10B-TG-M20/M25, SHORT RIB	
0 PLC ±- 1 PLC ±- 2 PLC ±- 3 PLC ±- 4 PLC ±- ANGLES ±-		PRODUCT SPEC 108-137013	SIZE A3	
MATERIAL		APPLICATION SPEC 114-137013	CAGE CODE 00779	DRAWING NO T1220102025000
FINISH		WEIGHT	RESTRICTED TO	
-		CUSTOMER DRAWING	SCALE 1:1	SHEET 1 OF 1
-			REV B1	

单击下面可查看定价，库存，交付和生命周期等信息

[>>TE Connectivity\(泰科\)](#)