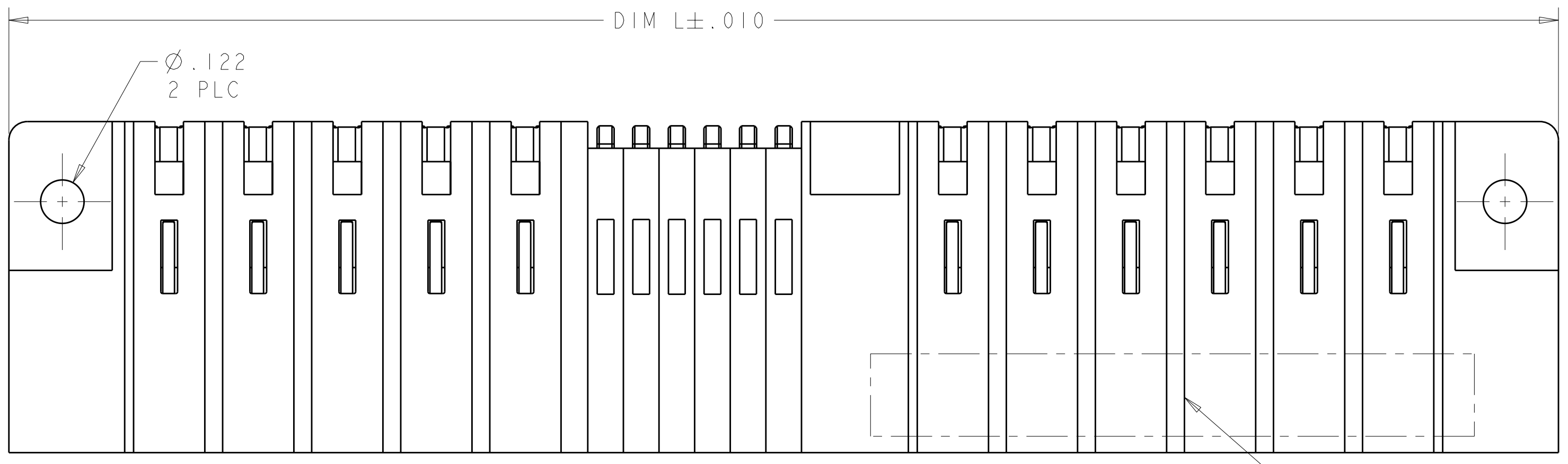
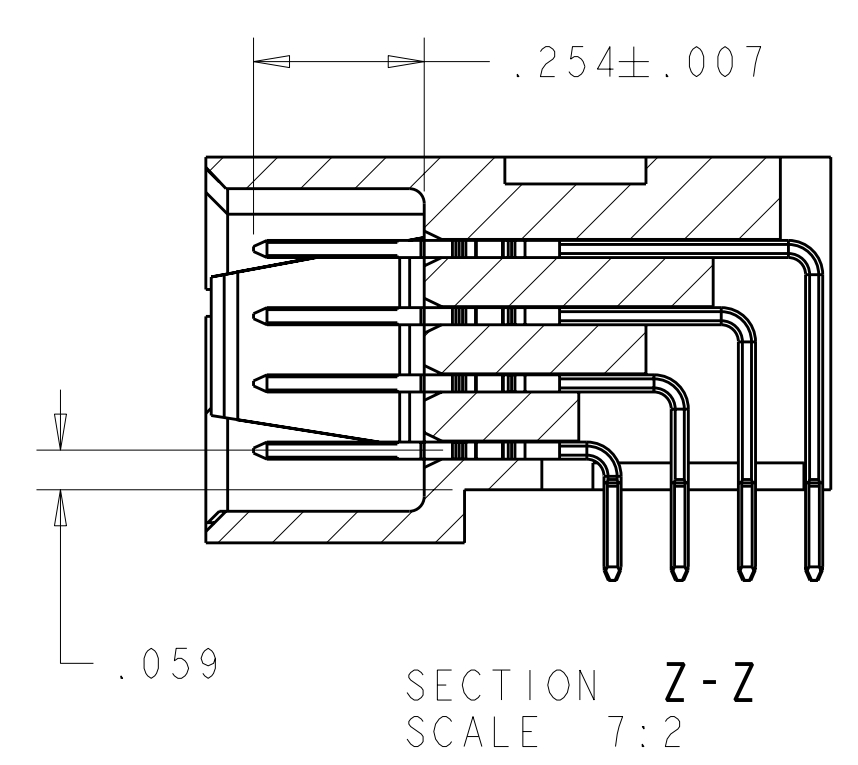
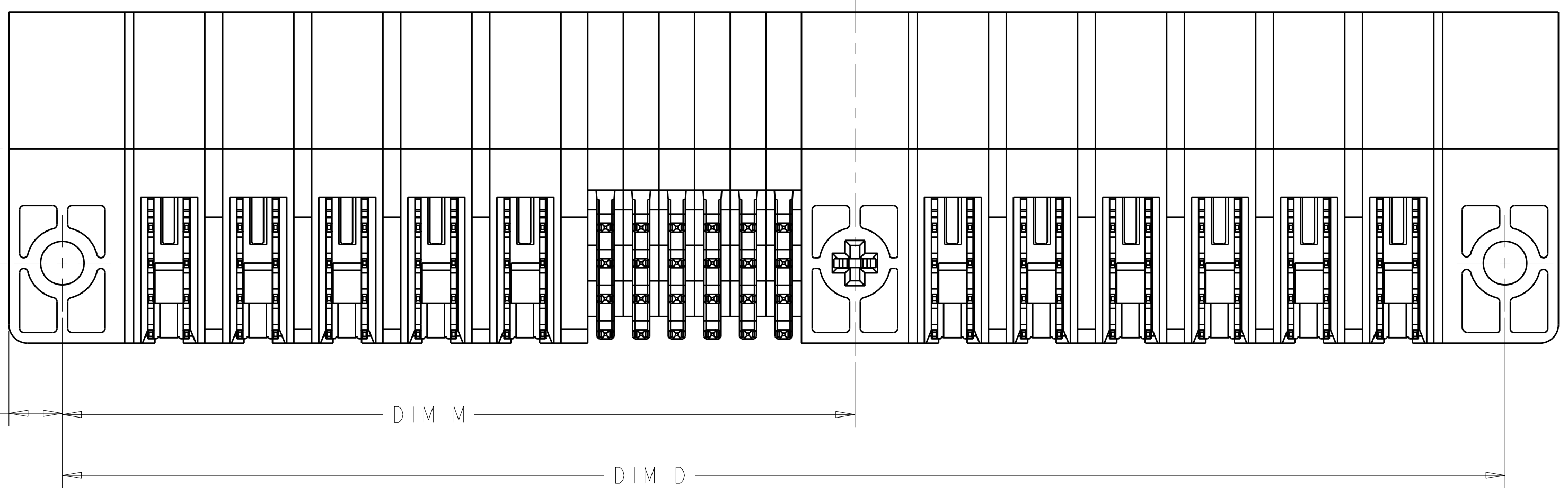
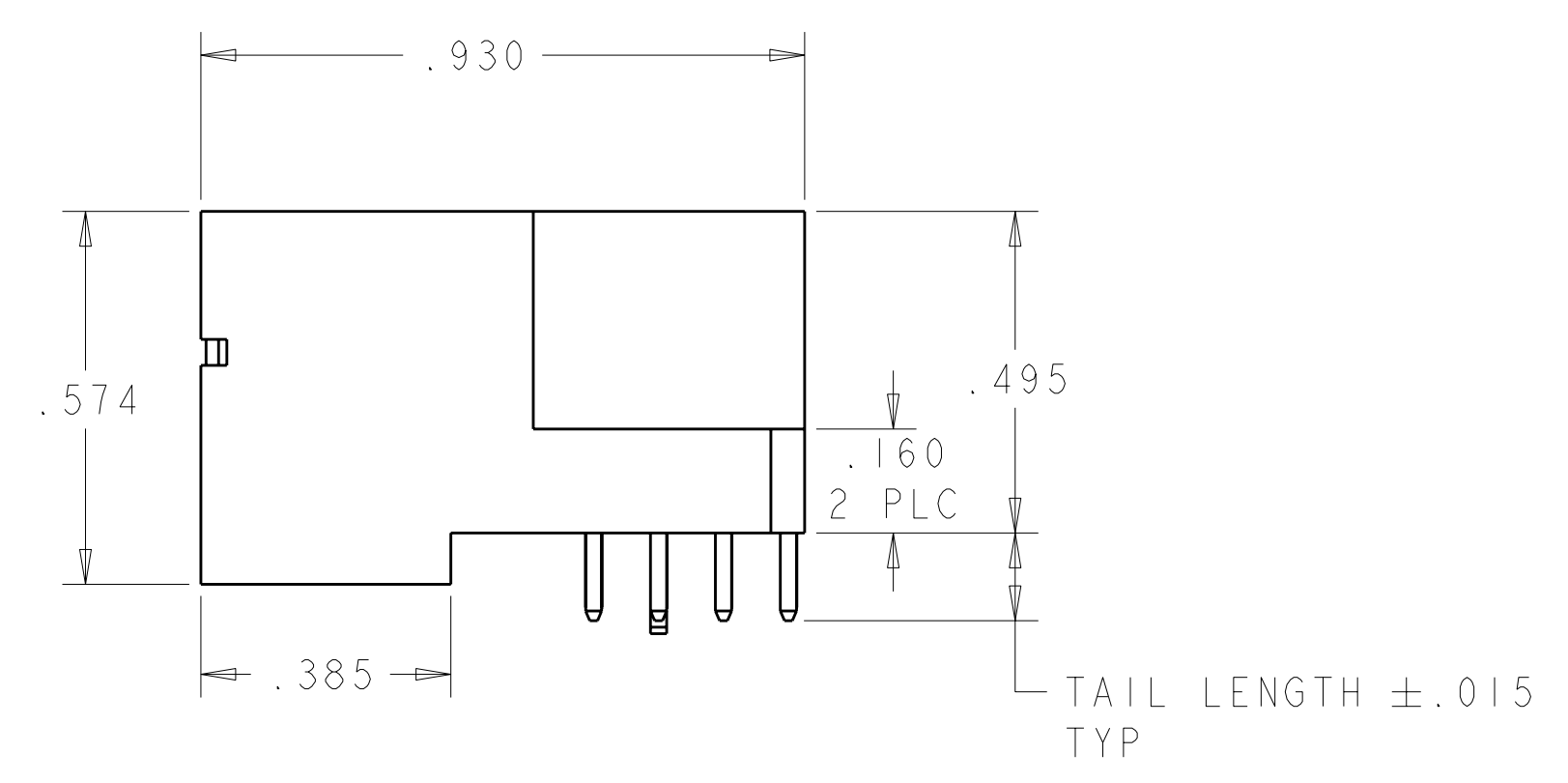
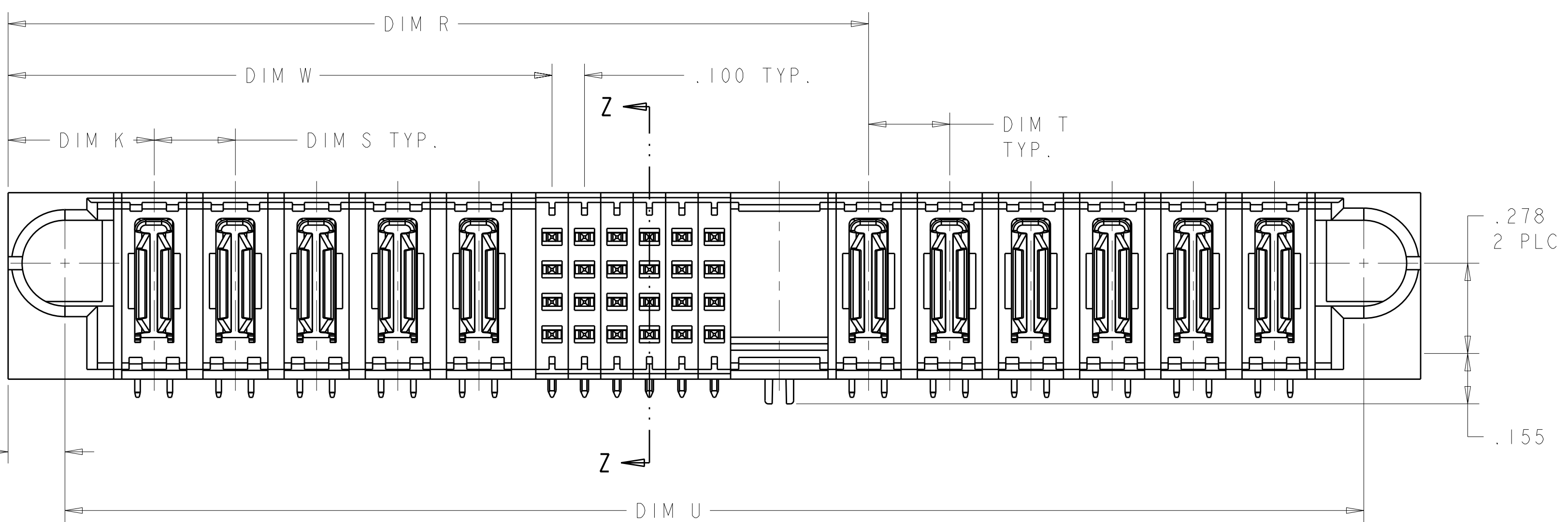


REVISONS		DATE	DWN	APVD
ES	00	19JAN2009	IL	SY
A	REV PER ECR-09-000659			



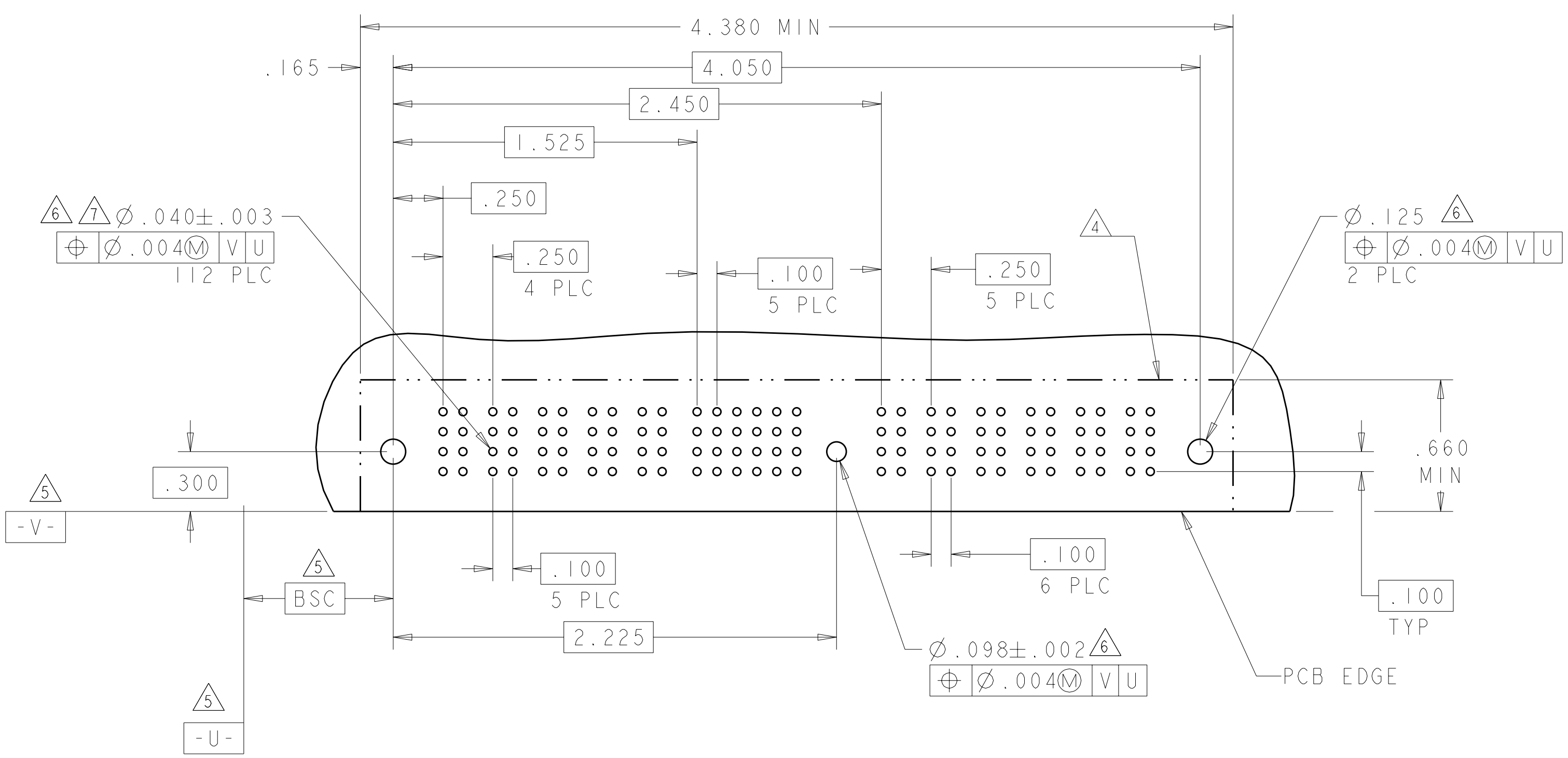
- △ "AMP", PART NUMBER, AND DATE CODE TO BE MARKED IN AREA SHOWN
- △ MATERIAL: HOUSING - GLASS FILLED HIGH TEMP THERMO PLASTIC, UL94 V-0  
SIGNAL CONTACT - COPPER ALLOY  
POWER CONTACT - HIGH CONDUCTIVITY COPPER ALLOY
- △ CONTACT PLATING:  
SIGNAL CONTACTS - .000050 MIN Ni UNDER ALL.  
.000030 MIN. Au ON CONTACT AREA.  
.000100 MIN Sn AT PCB INTERFACE.  
POWER CONTACTS - .000050 MIN Ni UNDER ALL.  
.000030 MIN. Au AT CONTACT AREA.  
.000100 MIN Sn AT PCB INTERFACE.
- △ MECHANICAL CONNECTOR KEEP OUT ZONE.
- △ DATUM AND BASIC DIMENSIONS ESTABLISHED BY CUSTOMER.
- △ PCB - ALL HOLE DIAMETERS ARE FINISHED HOLE SIZES
- △ PCB - .0453 ±.0010 DRILLED HOLES PLATED WITH .0003 MIN Sn OVER .001-.003 CU PLATING TO ACHIEVE .040±.003 DIAMETER HOLE
- △ VARIABLE DIMS SHOWN ON VIEW (SHEET 2)



4.000	.250	.250	2.650	1.675	4.050	2.225	4.350	.450	5P + 24S + 1M + 6P	6600131-1
DIM U	DIM S	DIM T	DIM R	DIM W	DIM D	DIM M	DIM L	DIM K	DESCRIPTION	PART NUMBER

<small>THIS DRAWING IS UNPUBLISHED. RELEASED FOR PUBLICATION. COPYRIGHT 20 BY TYCO ELECTRONICS CORPORATION. ALL RIGHTS RESERVED.</small> <small>TYCO ELECTRONICS CORPORATION</small>		DWN: D. ZHU CHK: S. ZHAO APVD: S. YAO	240CT2007 240CT2007 NAME: S. YAO PRODUCT SPEC: 108-1973 APPLICATION SPEC: 114-13038 WEIGHT: - SCALE: 1:1	Tyco Electronics Corporation Shanghai, P.R. China, 200233
DIMENSIONS: INCHES 9 PLC ±. 1 PLC ±.01 5 PLC ±.005 4 PLC ±.0020 ANGLES ±.005 FINISH: △ 2	TOLERANCES UNLESS OTHERWISE SPECIFIED: 9 PLC ±. 1 PLC ±.01 5 PLC ±.005 4 PLC ±.0020 ANGLES ±.005 FINISH: △ 3	NAME: S. YAO PRODUCT SPEC: 108-1973 APPLICATION SPEC: 114-13038 WEIGHT: - SCALE: 1:1	SIZE: A CAGE CODE: 00779 DRAWING NO: C-6600131 SHEET 1 OF 2 REV A	Tyco Electronics Corporation Shanghai, P.R. China, 200233

PART NUMBER	ROWS	POWER					SIGNAL						CM	POWER						
		P1	P2	P3	P4	P5	1	2	3	4	5	6		P6	P7	P8	P9	P10	P11	
6600131-1	D C B A	PS	PS	PS	PS	PS	J	J	J	J	J	J	PS	PS	PS	PS	PS	PS		
							K	K	K	K	K	K								
							N	N	N	N	N	N								
							S	S	S	S	S	H								
5P + 24S + 1M + 6P																				



CODE	MATING SEQUENCE	TAIL LENGTH	ROW
E	MLBF	.135	D
F	MLBF	.135	C
G	MLBF	.135	B
H	MLBF	.135	A
J	STD	.135	D
K	STD	.135	C
N	STD	.135	B
S	STD	.135	A

CODE	TAIL LENGTH
PS	.135

DIMENSIONS: INCHES TOLERANCES UNLESS OTHERWISE SPECIFIED: 9 PLC ±. 1 PLC ±.01 5 PLC ±.005 4 PLC ±.0020 ANGLES ±.0° FINISH		DWN D. ZHU 24OCT2007 CHK S. ZHAO 24OCT2007 APVD S. YAO PRODUCT SPEC 108-1973 APPLICATION SPEC 114-13038 WEIGHT CUSTOMER DRAWING	Tyco Electronics Corporation Shanghai, P.R.China, 200233 NAME RIGHT ANGLE SOLDER HEADER ASSEMBLY MULTI-BEAM XL SIZE CAGE CODE DRAWING NO. RESTRICTED TO A11 00779 C-6600131 SCALE 1:1 SHEET 2 OF 2 REV A
--	--	---	---

单击下面可查看定价，库存，交付和生命周期等信息

[>>TE Connectivity\(泰科\)](#)