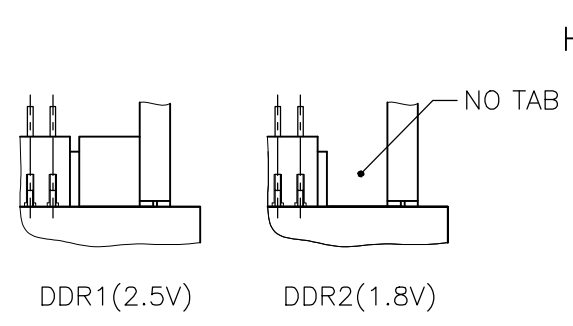
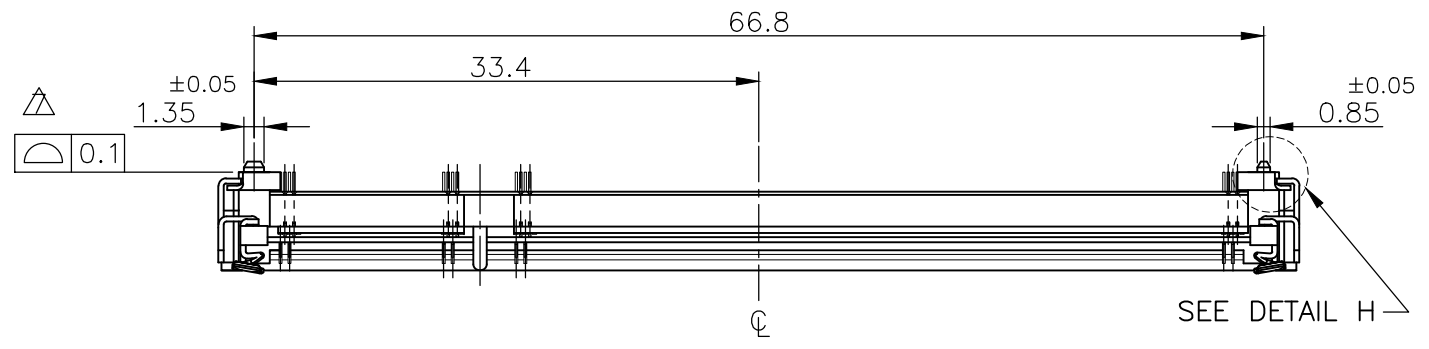


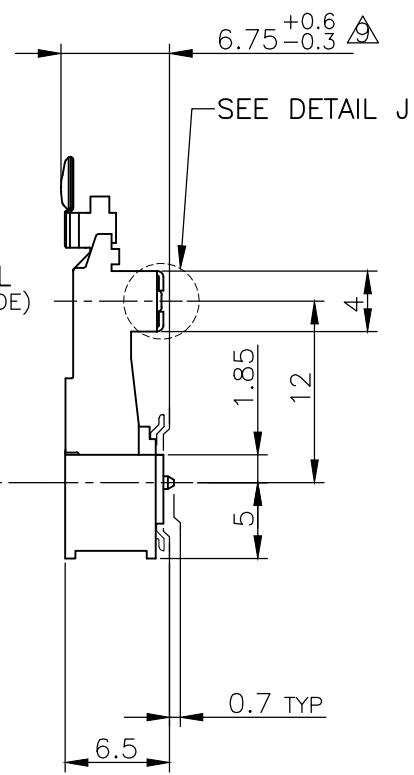
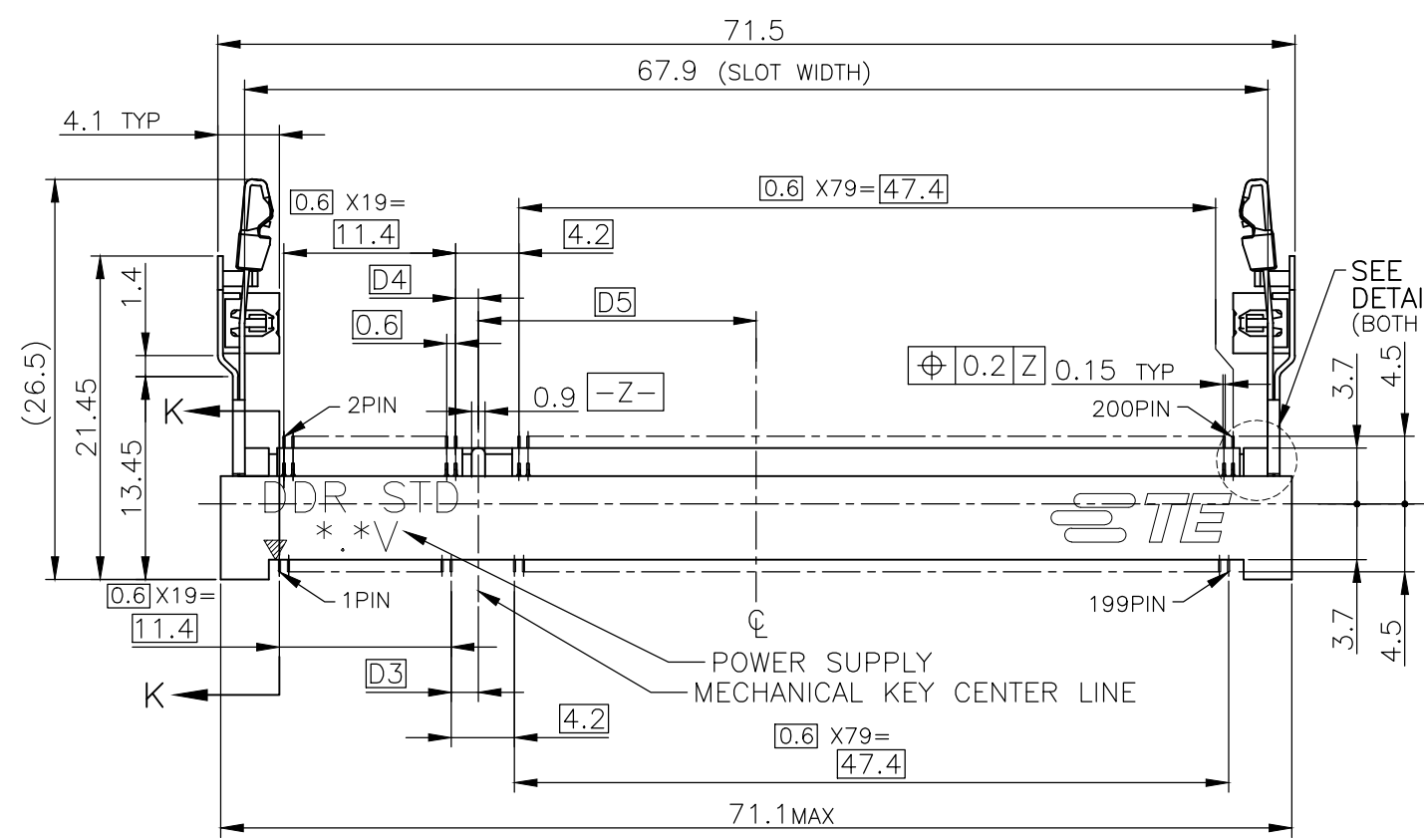
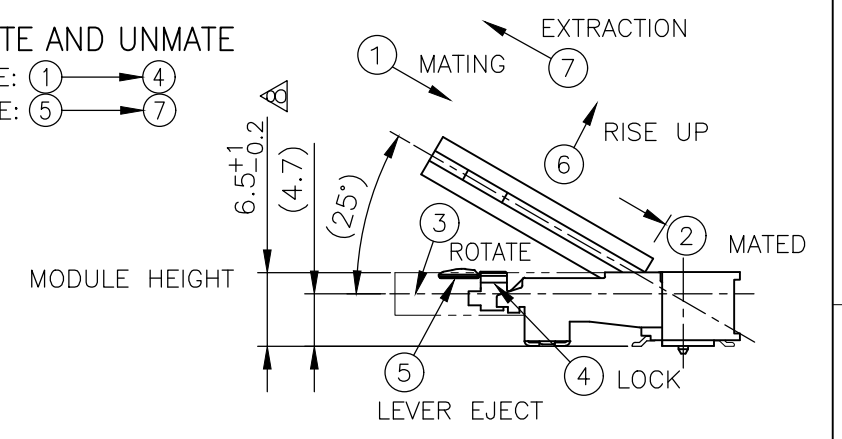
REVISIONS					
P	LTR	DESCRIPTION	DATE	DWN	APVD
E		ECR-20-007088	19MAY20	D.Z	S.L



DETAIL L (SCALE 5:1)

HOW TO MATE AND UNMATE

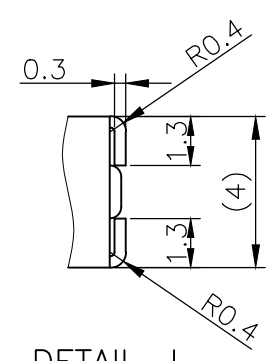
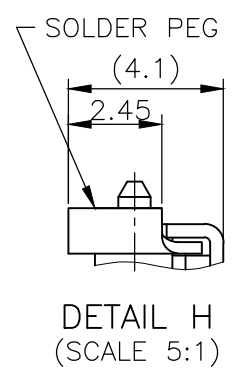
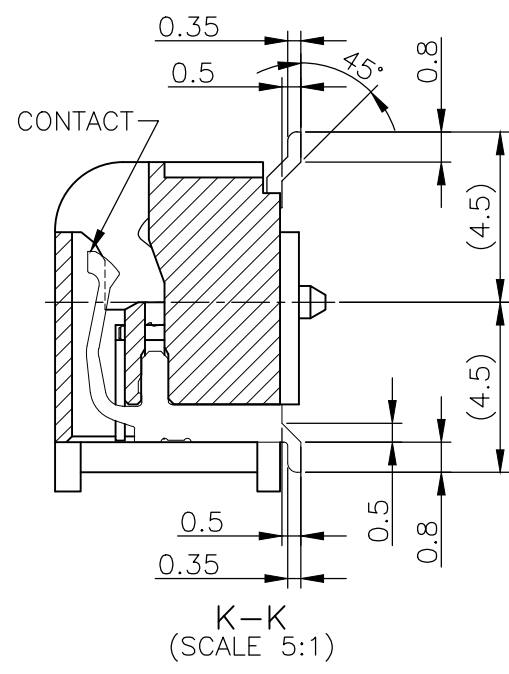
- MATE: ① → ④
- UNMATE: ⑤ → ⑦



SEE DETAIL J

(APPLIED TO SHEET 1-2)

- MATERIAL ; HOUSING: HIGH TEMPERATURE THERMO PLASTIC UL94V-0
CONTACT: COPPER ARROY
LOCK LEVER: STAINLESS STEEL
SOLDER PEG: COPPER ARROY
 - FINISH ; CONTACT AREA: GOLD FLASH ON 0.0013MIN ALL OVER NICKEL.
SOLDERING AREA: GOLD FLASH PLT.
SOLDER PEG: TIN PLATING.
- MECHANICAL KEY POSITION OF CONNECTOR SEE TABLE.
 - TOLERANCES NON-CUMULATIVE.
 - NOT TO SCALE.
 - INSIDE MUST BE RESIST COAT EXCEPT SOLDER PATTERN.
 - COPLANARITY : 0.1 MAX.
 - THE FLOATING VALUE BY SOLDERING IS NOT INCLUDED.
 - NOT MATING CONDITION.
- 10 IF THE MODULE DOESN'T INSERT AND LOCK IN THE LATCH SMOOTHLY, OPEN WIDE BOTH LATCHES BY MANUAL. AND THE MODULE MUST BE INSERTED AND LOCKED IN THE LATCH.

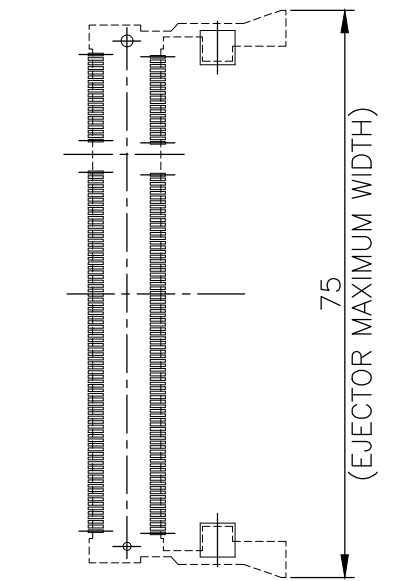


GENERAL TOLERANCE
 10 ≥ : ±0.2
 30 ≥ > 10: ±0.25
 100 ≥ > 30: ±0.3
 ANGLES: ±3°

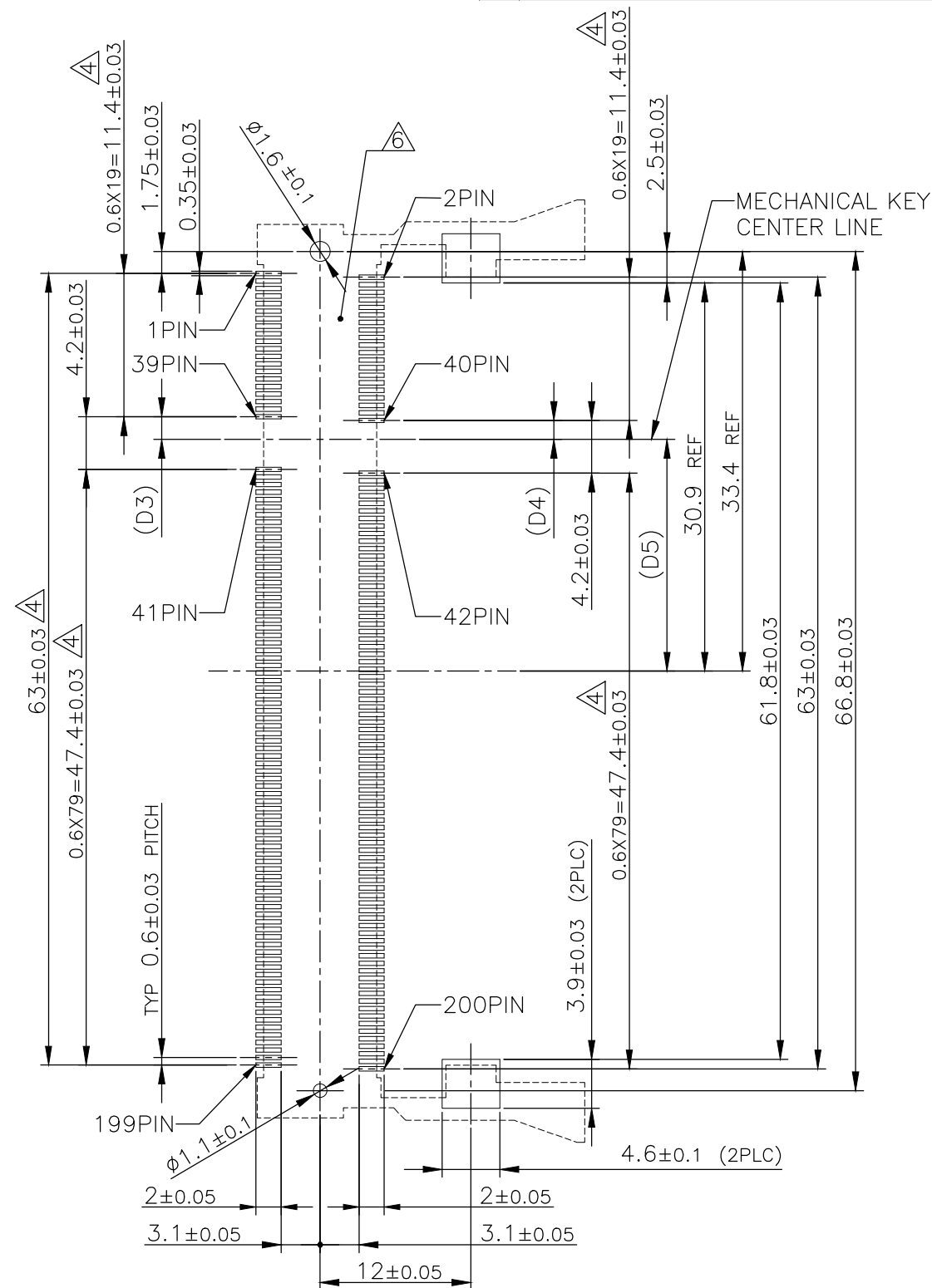
AVAILABLE	— # —	1.8V (DDR2)	17.55	2.4	2.7	200	1717468-4
AVAILABLE	— # —	2.5V (DDR1)	18.45	1.5	1.8	200	1717468-3
TOOLING STATUS	REMARKE	POWE SUPPLY (TYPE)	D5	D4	D3	POS	PART NO.
THIS DRAWING IS A CONTROLLED DOCUMENT.		DWN	T.FUMIKURA 22AUG03				
		CHK	T.KUSUHARA 22AUG03				
		APVD	H.MURAMATSU 22AUG03				
DIMENSIONS: MM		PRODUCT SPEC		NAME			
TOLERANCES UNLESS OTHERWISE SPECIFIED:		108-5701		DDR1 & DDR2 SODIMM SOCKET			
0 PLC ±		APPLICATION SPEC		0.6mm PITCH 200POS			
1 PLC ±		WEIGHT		6.5 HEIGHT STANDARD TYPE			
2 PLC ±		5.2g		SIZE		RESTRICTED TO	
3 PLC ±		CUSTOMER DRAWING		A3 00779		C-1717468	
4 PLC ±		SCALE		DRAWING NO		REV	
ANGLES ±		2:1		G-1717468		E	
FINISH		SHEET		1 OF 4			

P	LTR	DESCRIPTION	DATE	DWN	APVD
-	-	SEE SHEET 1	-	-	-

REFERENCE P.C.BOARD PATTERN LAYOUT (CONNECTOR MOUNTING SIDE)



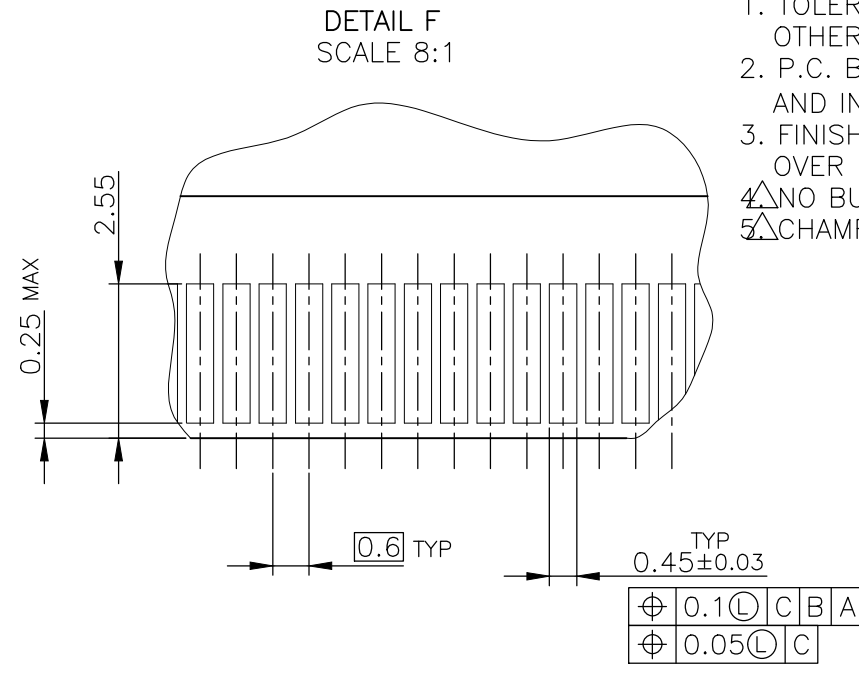
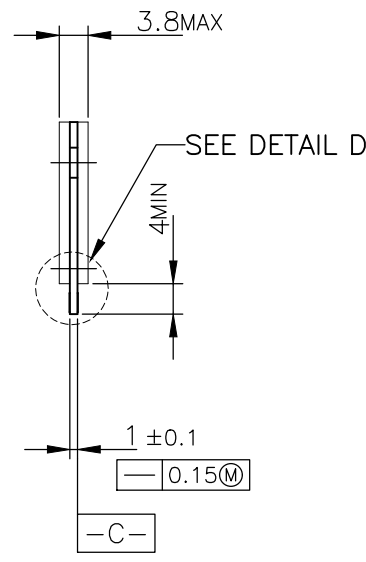
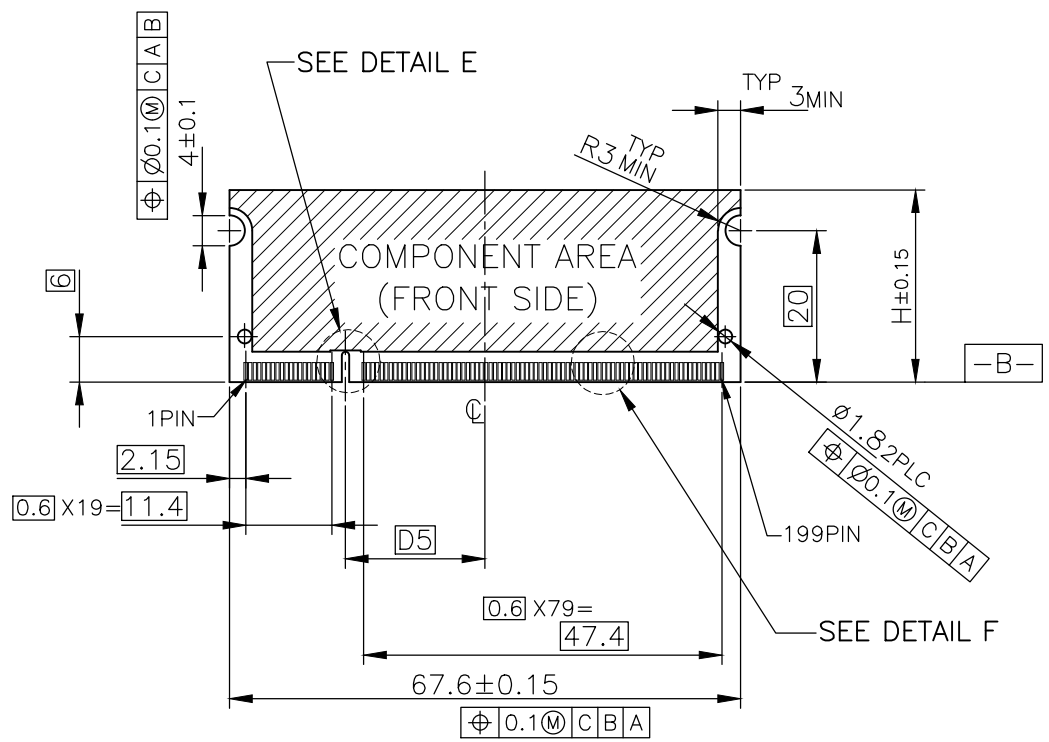
REAL SIZE (SCALE 1:1)



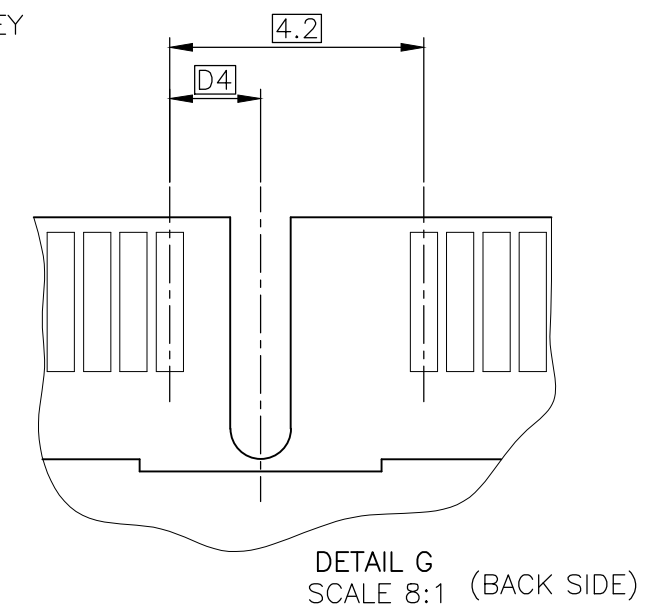
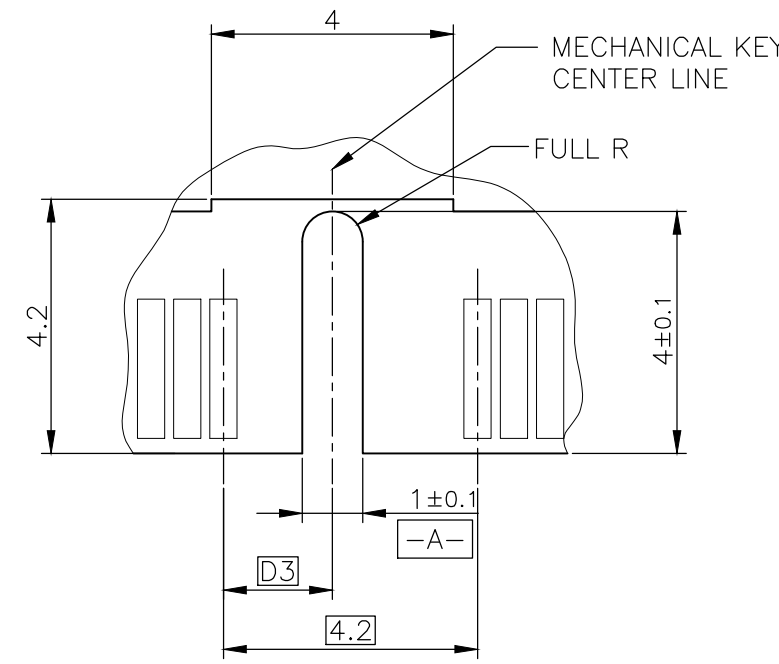
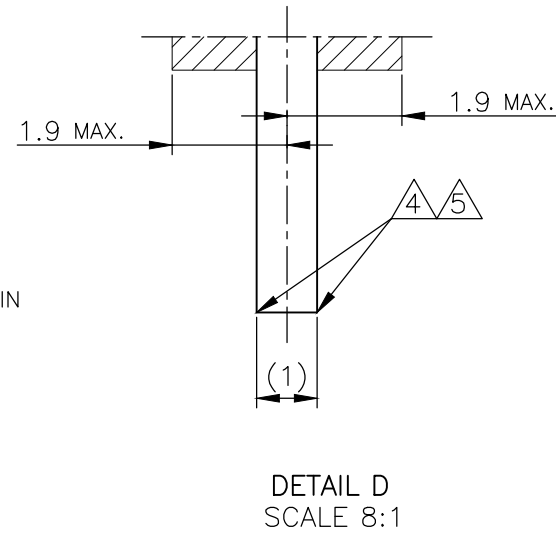
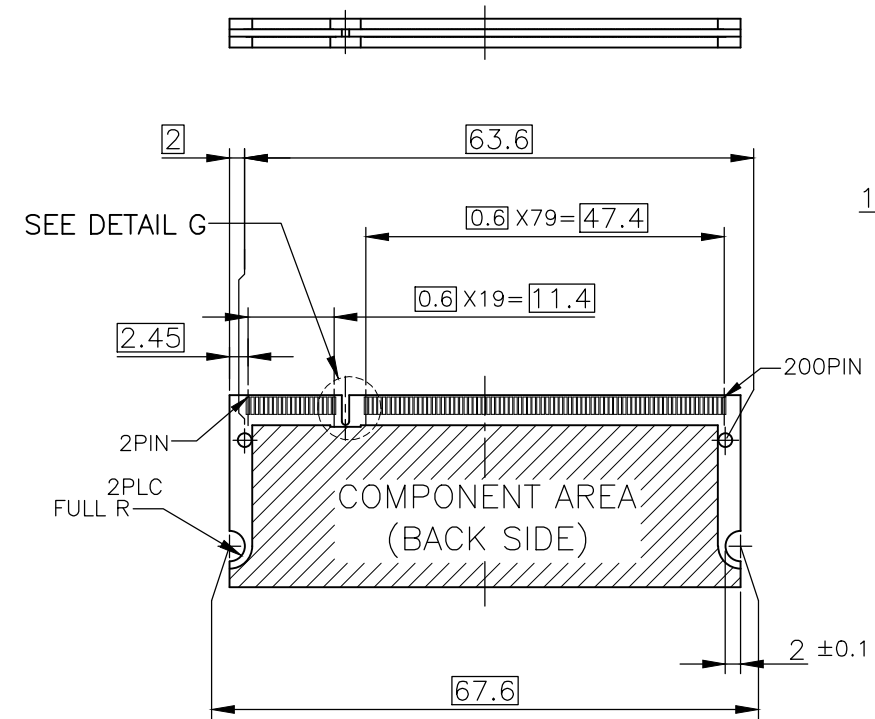
1.8V	17.55	2.4	2.7
2.5V	18.45	1.5	1.8
POWER SUPPLY	D5	D4	D3

THIS DRAWING IS A CONTROLLED DOCUMENT.		DWN	STE TE Connectivity Ltd.	
DIMENSIONS: MM		CHK		
TOLERANCES UNLESS OTHERWISE SPECIFIED:		APVD	NAME	
0 PLC ±		PRODUCT SPEC	DDR1 & DDR2 SODIMM SOCKET	
1 PLC ±		APPLICATION SPEC	0.6mm PITCH 200POS	
2 PLC ±		WEIGHT	6.5 HEIGHT STANDARD TYPE	
3 PLC ±		CUSTOMER DRAWING	SIZE	RESTRICTED TO
4 PLC ±			A3	
ANGLES ±		CAGE CODE	DRAWING NO	
FINISH		G-1717468		
		SCALE	SHEET	REV
		2:1	2 OF 4	E

P	LTR	DESCRIPTION	DATE	DWN	APVD
-	-	SEE SHEET 1	-	-	-



- (APPLIED TO SHEET 3)
1. TOLERANCES ON ALL DIMENSIONS ± 0.15 UNLESS OTHERWISE SPECIFIED.
 2. P.C. BOARD THICKNESS APPLIES ACROSS TABS AND INCLUDES PLATING AND/OR METALIZATION.
 3. FINISH OF PAD : GOLD PLATING 0.00076 MIN. OVER Ni PLATING 0.002MIN.
 4. NO BURR
 5. CHAMFER 0.25 MAX x 45° IF EXIST.

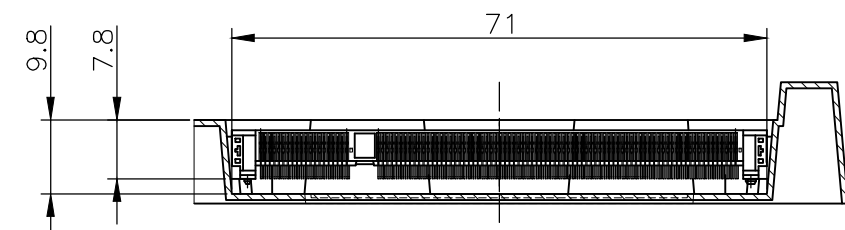
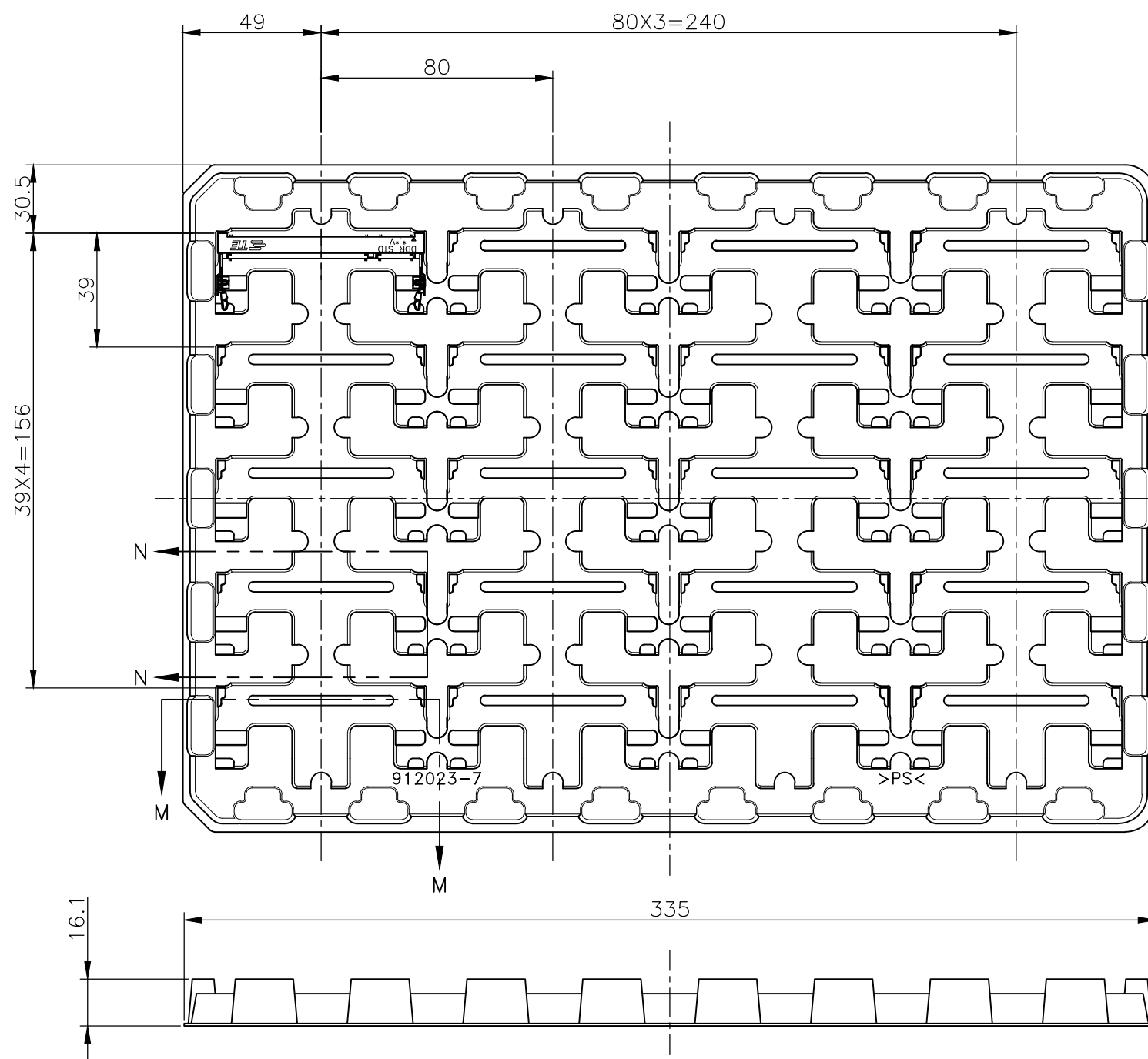


31.75	1.8V	17.55	2.4	2.7
25.4	2.5V	18.45	1.5	1.8
H	POWER SUPPLY	D5	D4	D3

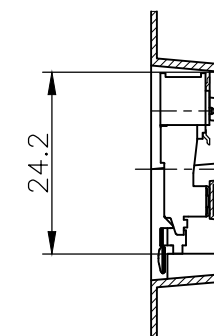
推奨基板仕様
RECOMMENDED MATING P.C.B CONFIGURATION

THIS DRAWING IS A CONTROLLED DOCUMENT.		DWN		TE Connectivity Ltd.	
DIMENSIONS: MM		CHK			
TOLERANCES UNLESS OTHERWISE SPECIFIED:		APVD			
0 PLC ± 1 PLC ± 2 PLC ± 3 PLC ± 4 PLC ± ANGLES ± FINISH ±		NAME			
MATERIAL		PRODUCT SPEC		DDR1 & DDR2 SODIMM SOCKET 0.6mm PITCH 200POS 6.5 HEIGHT STANDARD TYPE	
		APPLICATION SPEC		SIZE	
		WEIGHT		CAGE CODE	
		CUSTOMER DRAWING		DRAWING NO	
		SCALE 2:1		RESTRICTED TO	
		SHEET 3 OF 4		A3 00779 C-1717468	
		REV E			

P	LTR	DESCRIPTION	DATE	DWN	APVD
-	-	SEE SHEET 1	-	-	-



M-M
SCALE 1:1
(180DEG. ROTATE)



N-N
SCALE 1:1

1. THE DIRECTION OF EACH CONNECTOR ON A TRAY IS REFERRED TO THIS DRAWING.
2. GENERAL TOLERANCE: ±0.5

20EA/TRAY	1717468-4
20EA/TRAY	1717468-3
QTY	P/N

THIS DRAWING IS A CONTROLLED DOCUMENT.		DWN		TE Connectivity Ltd.	
DIMENSIONS: MM		CHK			
TOLERANCES UNLESS OTHERWISE SPECIFIED: 0 PLC ± 1 PLC ± 2 PLC ± 3 PLC ± 4 PLC ± ANGLES ±		APVD			
MATERIAL		PRODUCT SPEC			
FINISH		APPLICATION SPEC		NAME	
		WEIGHT		DDR1 & DDR2 SODIMM SOCKET	
		CUSTOMER DRAWING		0.6mm PITCH 200POS	
		SCALE 1:2		6.5 HEIGHT STANDARD TYPE	
		SHEET 4 OF 4		SIZE A3	
		REV E		CAGE CODE 00779	
				DRAWING NO. 1717468	
				RESTRICTED TO	

单击下面可查看定价，库存，交付和生命周期等信息

[>>TE Connectivity\(泰科\)](#)