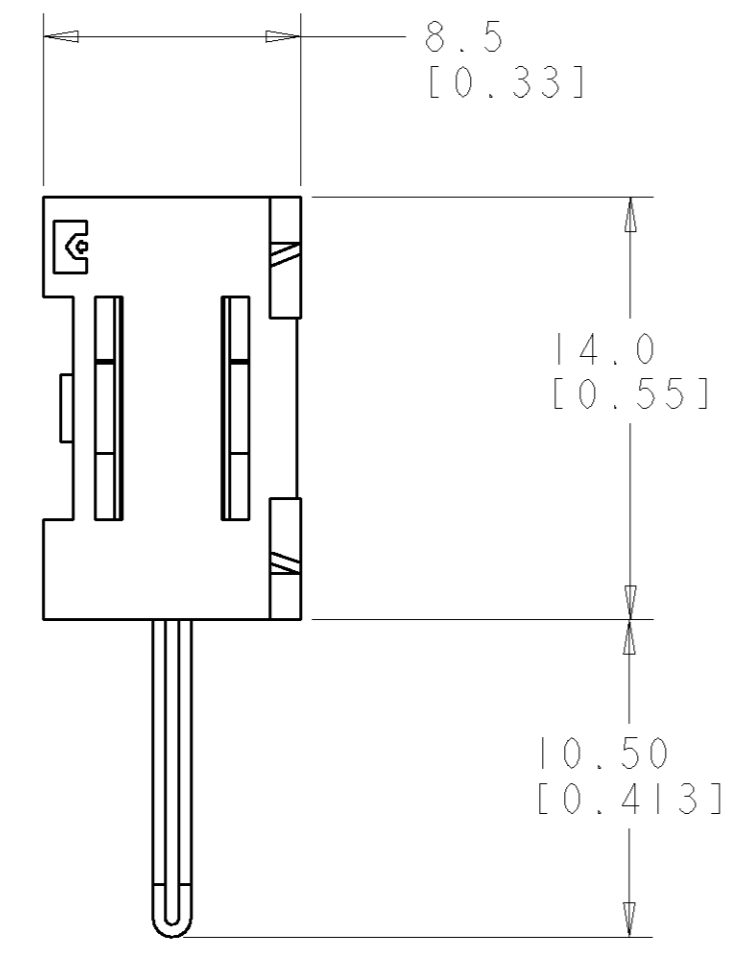
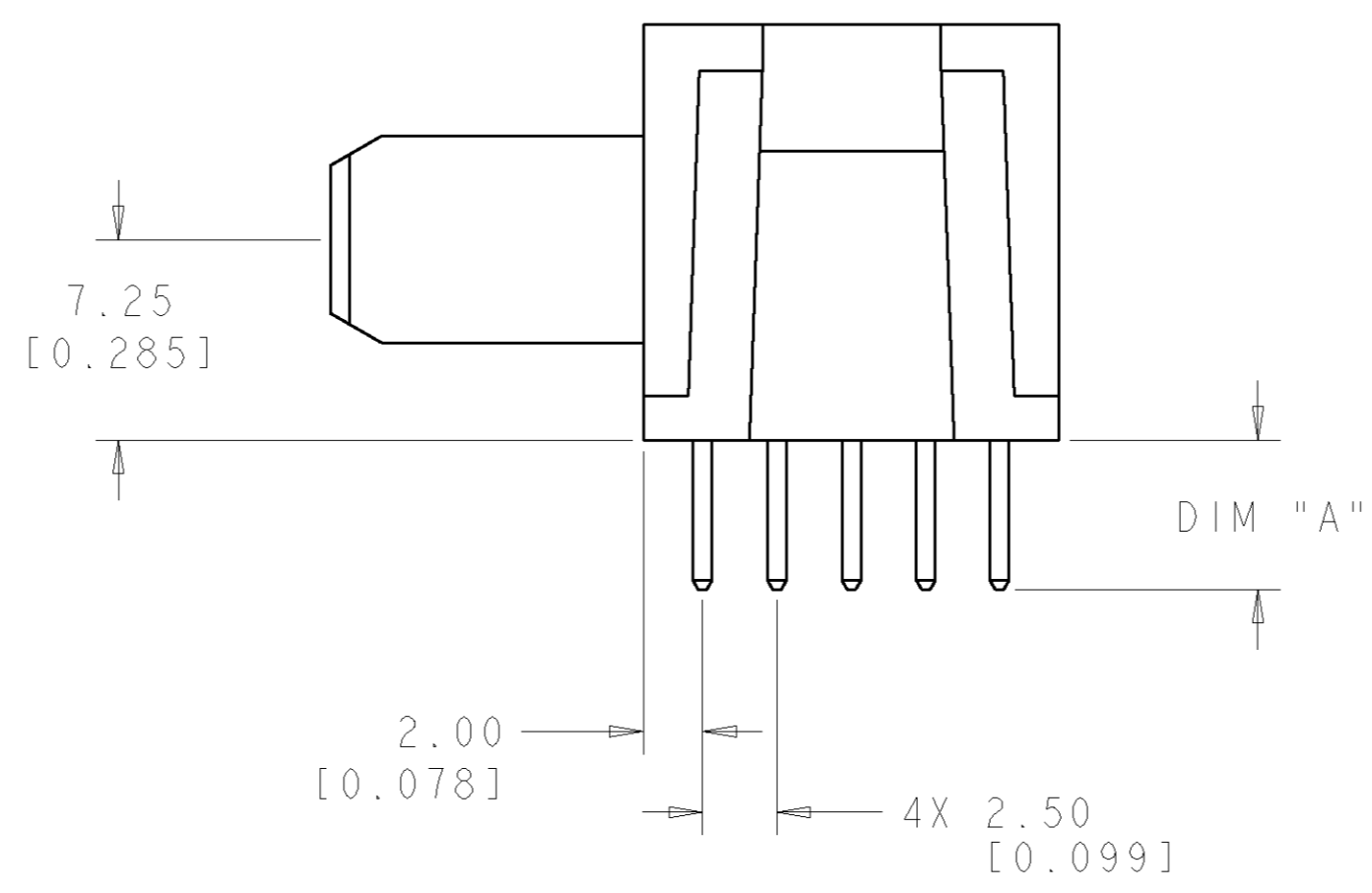
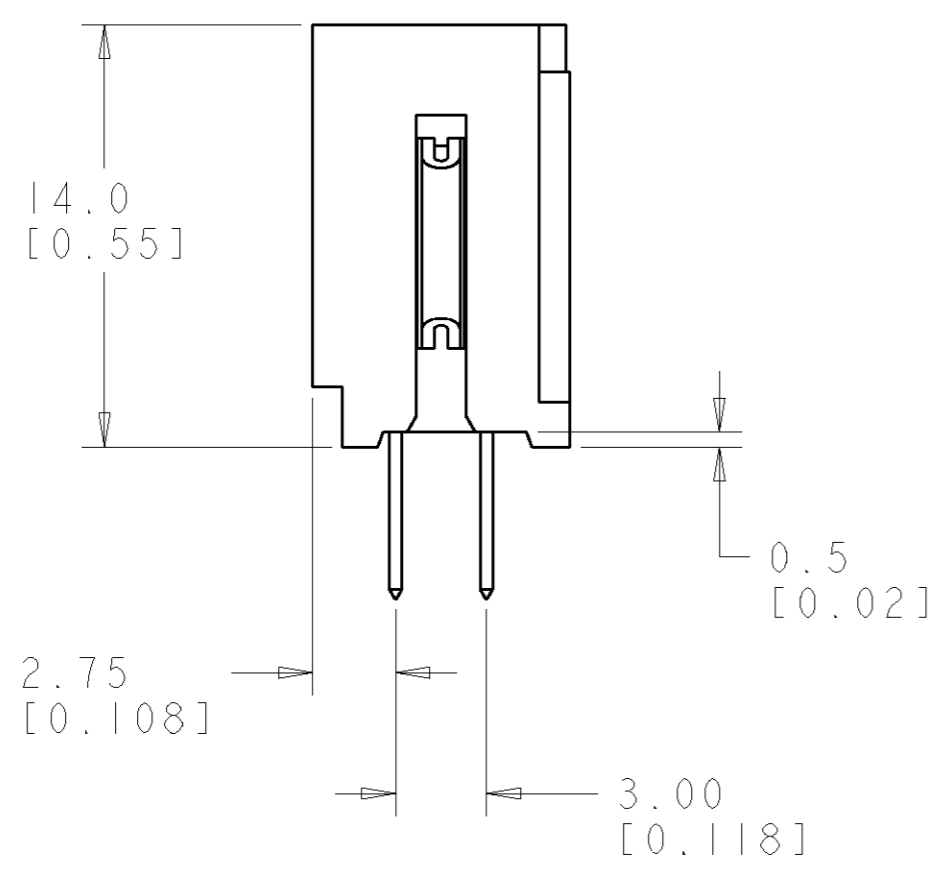


THIS DRAWING IS UNPUBLISHED. RELEASED FOR PUBLICATION 20
 © COPYRIGHT 20 BY TYCO ELECTRONICS CORPORATION. ALL RIGHTS RESERVED.

LOC	DIST	REVISIONS					
GP	00	P	LTR	DESCRIPTION	DATE	DWN	APVD
			A	RELEASED	09JAN2007	RG	PD



- PART NUMBER CHANGES AND OR DESIGN CHANGES AFFECTING ITEM INTERCHANGEABILITY REQUIRE PRIOR TYCO APPROVAL AND AUTHORIZATION BY REVISION TO THIS DRAWING.
- MATERIAL:
 INSULATORS - THERMOPLASTIC, GLASS REINFORCED, COLOR: BLACK
 UL94V-0 FLAMMABILITY RATED.
 POWER CONTACTS - COPPER ALLOY.
- FINISH:
 CONTACTS - GOLD PLATE 0.76 MICROMETERS MIN. THK., OVER NICKEL
 1.27 MICROMETERS MIN. THK
 SOLDER TAILS, TIN 3.05 MICROMETERS MIN. THK. OVER NICKEL
 1.27 MICROMETERS MIN. THK
- ITEMS PROVIDED TO THIS SPECIFICATION TO BE PERMANENTLY IDENTIFIED ON THE CONTAINER PER THE FOLLOWING IDENTIFIER LABEL



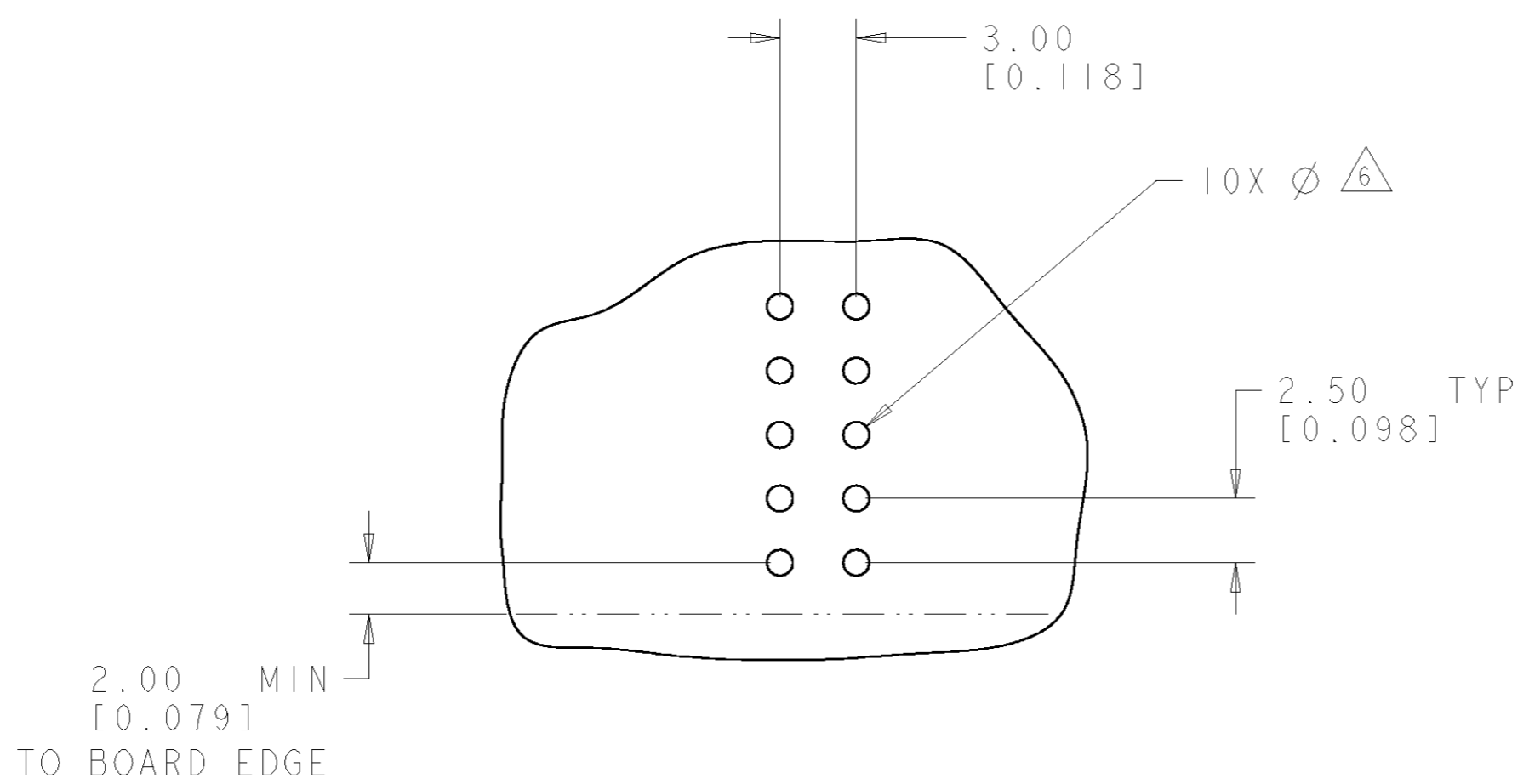
3.56-2.54 [.140-.100]	1926312-2
5.08-4.06 [.200-.160]	1926312-1
DIM "A"	PART NUMBER

THIS DRAWING IS A CONTROLLED DOCUMENT FOR TYCO ELECTRONICS CORPORATION IT IS SUBJECT TO CHANGE AND THE CONTROLLING ENGINEERING ORGANIZATION SHOULD BE CONTACTED FOR THE LATEST REVISION.		DWN R. GRZYBOWSKI 09JAN2007 CHK P. DAMATO 09JAN2007 APVD S. FLICKINGER 09JAN2007	tyco Tyco Electronics Electronics Harrisburg, PA 17105-3608
DIMENSIONS: mm 	TOLERANCES UNLESS OTHERWISE SPECIFIED: 0 PLC ±.3 1 PLC ±.15 2 PLC ±.15 3 PLC ±.15 4 PLC ±.15 ANGLES ±.5 FINISH	PRODUCT SPEC - APPLICATION SPEC - WEIGHT - CUSTOMER DRAWING	NAME PIN CONNECTOR, RIGHT ANGLE SOLDER, FP151 FLATPAQ SIZE A2 CAGE CODE 00779 DRAWING NO. G-1926312 RESTRICTED TO -
MATERIAL -		SCALE 4:1 SHEET 1 OF 3 REV A	

ELCON FLATPAQ

THIS DRAWING IS UNPUBLISHED. RELEASED FOR PUBLICATION 20
 © COPYRIGHT 20 BY TYCO ELECTRONICS CORPORATION. ALL RIGHTS RESERVED.

LOC	DIST	REVISIONS					
		P	LTR	DESCRIPTION	DATE	DWN	APVD
GP	00	-		SEE SHEET 1	-	-	-



PRINTED CIRCUIT BOARD LAYOUT
 COMPONENT SIDE

CONNECTOR	CATALOG MODULE #	QTY	SIZE NO.	CONTACT QTY	MATING PIN	MAX. CURRENT (PER CONTACT)	CONTACT SPACING	VOLTAGE RATING
PIN	FPI51	1	8	1	1.25 X 7.00 [.049 X .276]	35 amps	7.50 [.2953]	250

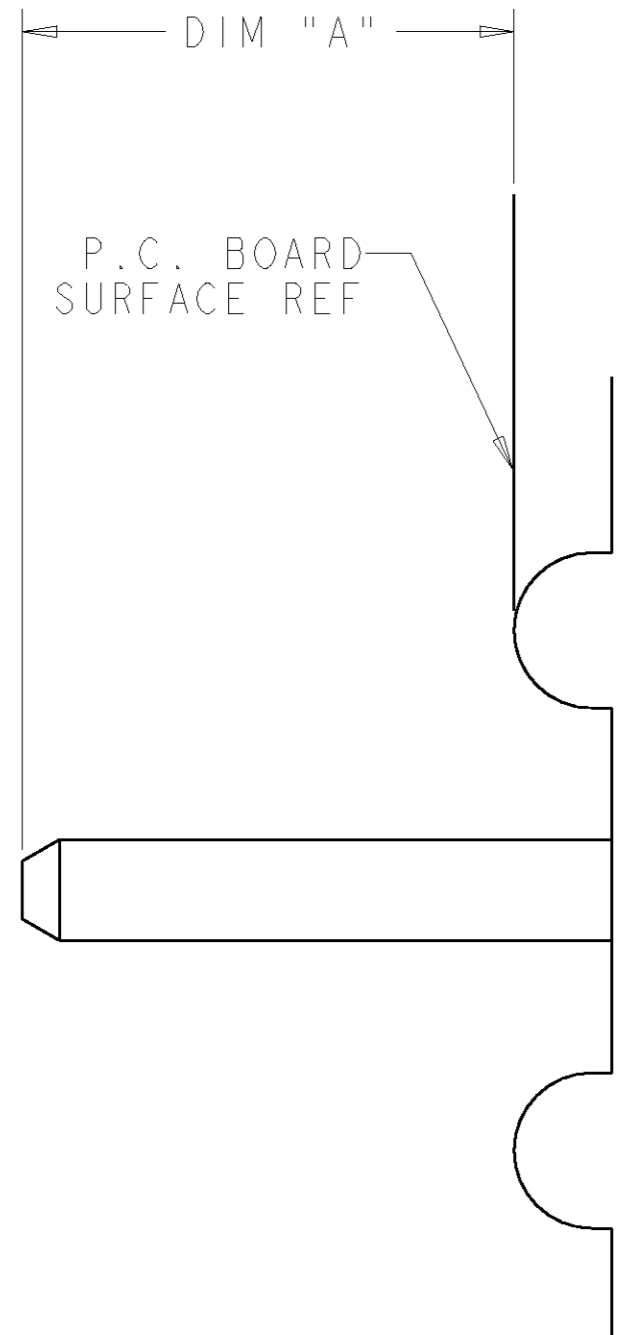
THIS DRAWING IS A CONTROLLED DOCUMENT FOR TYCO ELECTRONICS CORPORATION. IT IS SUBJECT TO CHANGE AND THE CONTROLLING ENGINEERING ORGANIZATION SHOULD BE CONTACTED FOR THE LATEST REVISION.

DWN	R. GRZYBOWSKI	09 JAN 2007	tyco Electronics Tyco Electronics Harrisburg, PA 17105-3608			
CHK	P. DAMATO	09 JAN 2007				
APVD	S. FLICKINGER	09 JAN 2007				
NAME	PIN CONNECTOR, RIGHT ANGLE SOLDER, FPI51 FLATPAQ					
DIMENSIONS:	mm	TOLERANCES UNLESS OTHERWISE SPECIFIED:	SIZE	CAGE CODE	DRAWING NO.	RESTRICTED TO
		0 PLC ±.3	A2	00779	G-1926312	-
		1 PLC ±.3	SCALE	4:1	SHEET	2 OF 3
		2 PLC ±.15			REV	A
		3 PLC ±.5	CUSTOMER DRAWING			
		4 PLC ±.5				
MATERIAL	FINISH	ANGLES ±.5				

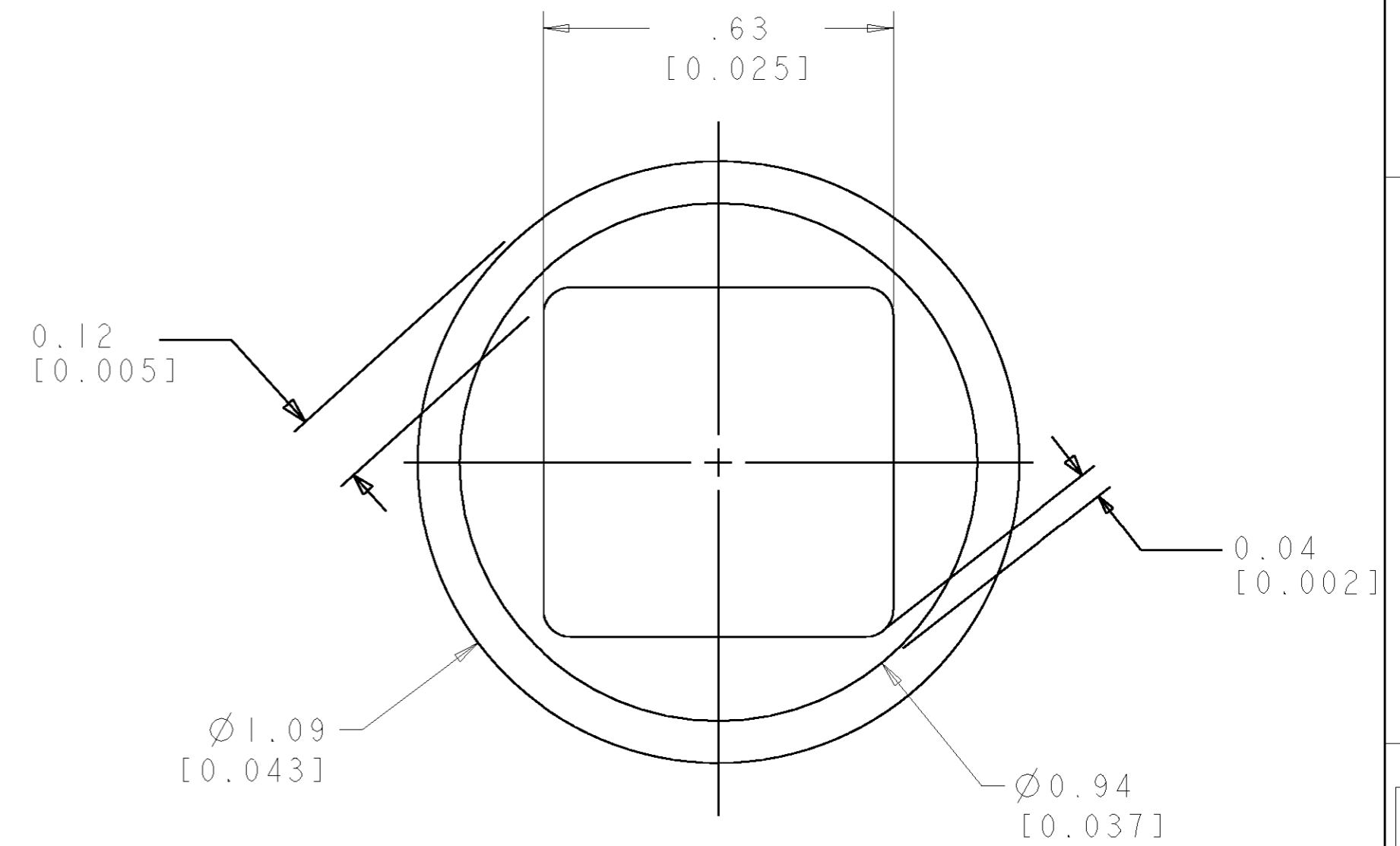
ELCON FLATPAQ

THIS DRAWING IS UNPUBLISHED. RELEASED FOR PUBLICATION 20
 © COPYRIGHT 20 BY TYCO ELECTRONICS CORPORATION. ALL RIGHTS RESERVED.

LOC	DIST	REVISIONS			
P	LTR	DESCRIPTION	DATE	DWN	APVD
GP	00	-	SEE SHEET 1	-	-



5. SOLDER PIN DETAIL
SCALE 10:1



6. SOLDER TERMINATION AREA
SCALE 40:1

RECOMMENDED PRINTED CIRCUIT SOLDER HOLE
 FINISHED HOLE: Ø1.02 [0.040] ±.08 [0.003]
 DRILLED HOLE: Ø1.15 [0.0453] ±.013 [0.0005]
 COPPER PLATE: .025 [0.0010] MIN
 TIN PLATE: .008 [0.0003] MIN. (PER SURFACE)

ELCON FLATPAQ

<small>THIS DRAWING IS A CONTROLLED DOCUMENT FOR TYCO ELECTRONICS CORPORATION IT IS SUBJECT TO CHANGE AND THE CONTROLLING ENGINEERING ORGANIZATION SHOULD BE CONTACTED FOR THE LATEST REVISION.</small>		DWN 09 JAN 2007 R. GRZYBOWSKI CHK 09 JAN 2007 P. DAMATO APVD 09 JAN 2007 S. FLICKINGER	tyco Tyco Electronics Electronics Harrisburg, PA 17105-3608
DIMENSIONS: mm	TOLERANCES UNLESS OTHERWISE SPECIFIED: 0 PLC ±.3 1 PLC ±.3 2 PLC ±.15 3 PLC ±.15 4 PLC ±.15 ANGLES ±.5 FINISH	NAME PIN CONNECTOR, RIGHT ANGLE SOLDER, FP151 FLATPAQ	SIZE CAGE CODE DRAWING NO RESTRICTED TO A200779 C-1926312 -
MATERIAL -	PRODUCT SPEC APPLICATION SPEC WEIGHT CUSTOMER DRAWING	SCALE 4:1 SHEET 3 OF 3 REV A	

单击下面可查看定价，库存，交付和生命周期等信息

[>>TE Connectivity\(泰科\)](#)