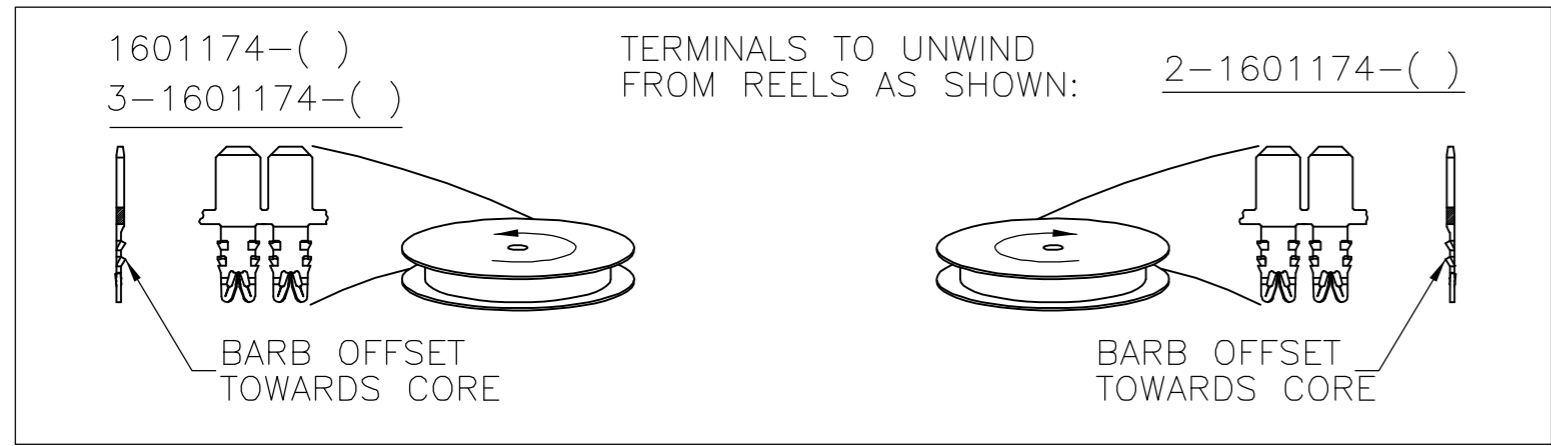
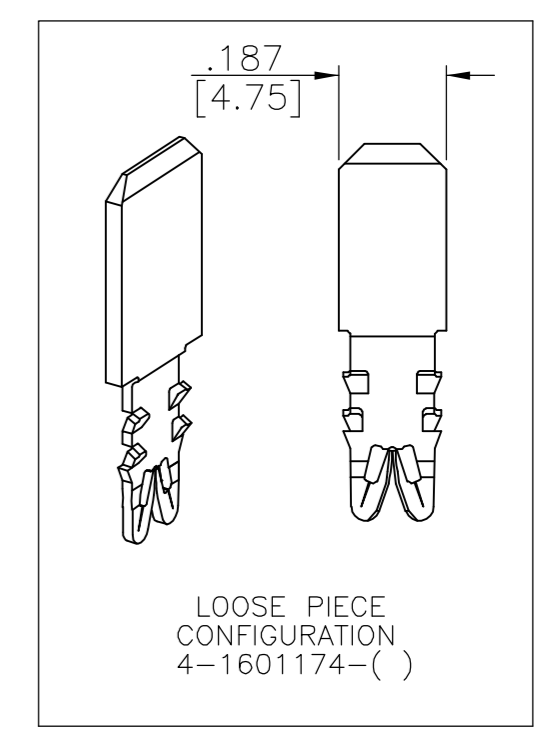
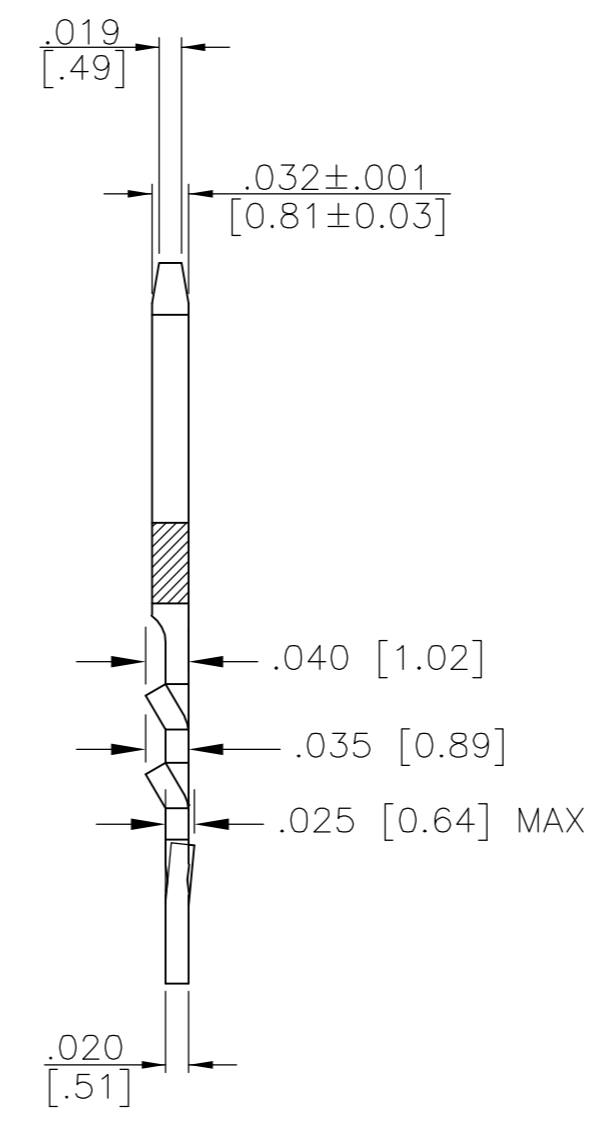
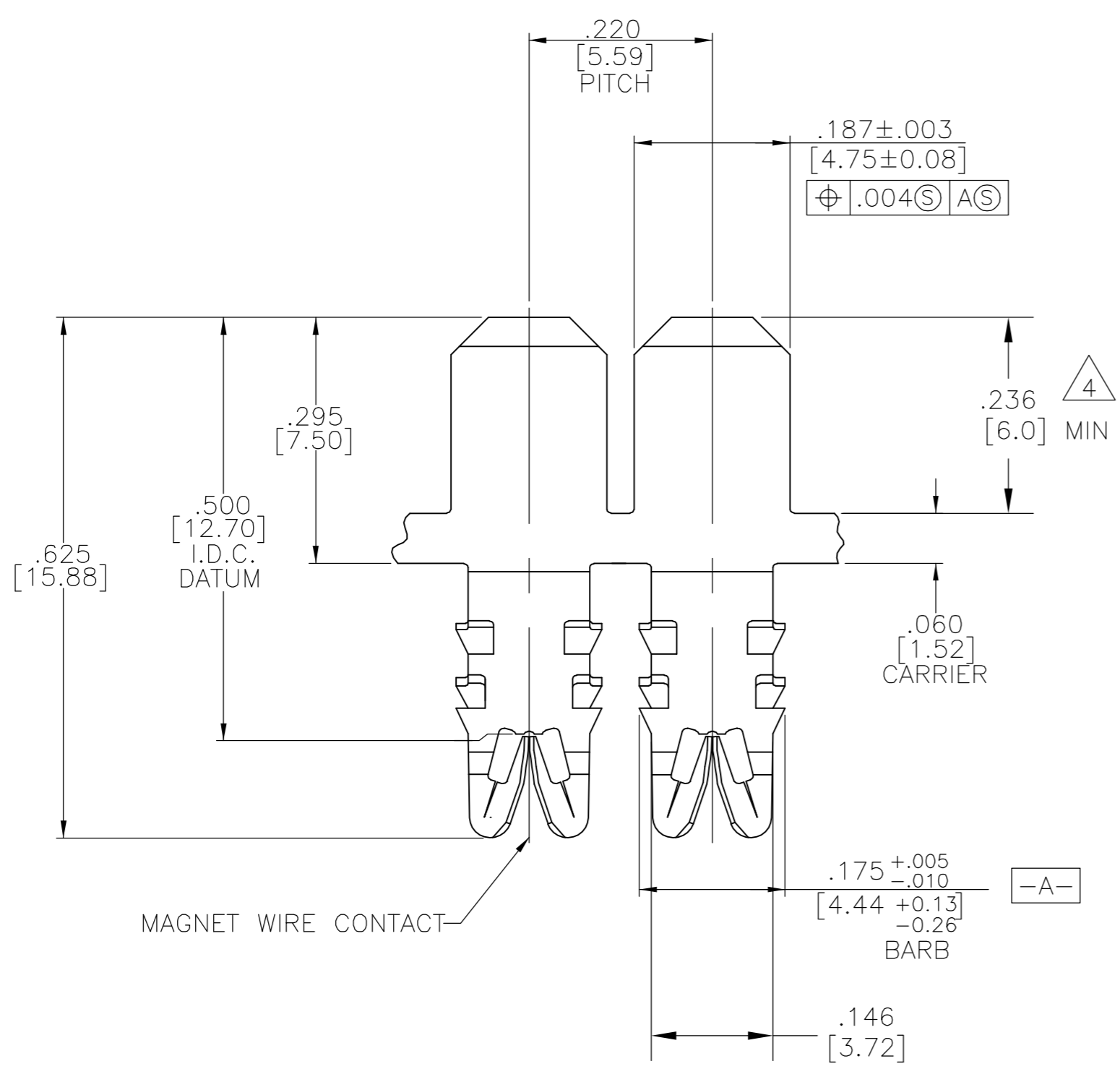


THIS DRAWING IS UNPUBLISHED. RELEASED FOR PUBLICATION
 © COPYRIGHT BY TYCO ELECTRONICS CORPORATION. ALL RIGHTS RESERVED.

LOC		DIST		REVISIONS			
P	LTR	DESCRIPTION		DATE	DWN	APVD	
	C1	REVISED PER ECR-06-026732		17NOV06	HMR	GJ	

- 1 SPECIFICATIONS:
MAGNET WIRE #18 - #34 AWG, .040"(1.02mm)-.006"(0.16mm) DIA COPPER. OTHER SIZES MAY BE ACCOMMODATED, CONSULT TYCO ELECTRONICS FOR APPROVAL.
- 2 POCKET RECOMMENDATION: #1601425
- 3 TERMINAL APPLICATION TO COMPLY WITH TYCO ELECTRONICS SPECIFICATION 114-13166 FIGURE 6
- 4 ENTIRE TERMINAL IS POST PLATED WITH .000050[1.27 MICRONS] MIN NICKEL. AREA INDICATED ALSO PLATED WITH .000050[1.25 MICRONS] MIN GOLD.
- 5 PRELIMINARY - NOT FOR PRODUCTION



NON-STANDARD	4	5	3-1601174-3
NON-STANDARD	PRE-TIN PLATE		3-1601174-2
STANDARD	PRE-TIN PLATE		1601174-2
-	-		-
PACKAGING	FINISH		PART NUMBER

THIS DRAWING IS A CONTROLLED DOCUMENT.		DWN 27JAN2003 MICHAEL S. FEHER	tyco Electronics		Tyco Electronics Corporation Harrisburg, PA 17105-3608	
DIMENSIONS: INCHES		CHK 27JAN2003 GENE JACONO	NAME			
TOLERANCES UNLESS OTHERWISE SPECIFIED:		APVD 27JAN2003 GENE JACONO	PRODUCT SPEC			
0 PLC ± -		108-2085		STD. RANGE WIRE TO .187 X .032		
1 PLC ± -		APPLICATION SPEC		MULTI-BARB TAB SIAMEZE TERMINAL		
2 PLC ± .01[0.25]		3		SIZE	RESTRICTED TO	
3 PLC ± .005[0.13]		WEIGHT -		CAGE CODE		
4 PLC ± -		FINISH		DRAWING NO		
ANGLES ± 2°		SEE TABLE		SCALE		
MATERIAL BRASS, 1/2 HARD		CUSTOMER DRAWING		00779	1601174	
				SHEET	1 OF 1	
				REV	C1	

单击下面可查看定价，库存，交付和生命周期等信息

[>>TE Connectivity\(泰科\)](#)